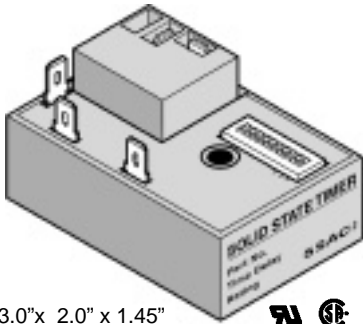


Solid State Vending Timers
 ✓ Single Shot Timing Modules



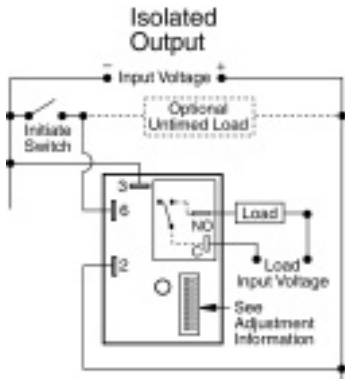
3.0" x 2.0" x 1.45"
 (76.2x51x37mm)

HRV Series (Accumulating Single Shot Timer)

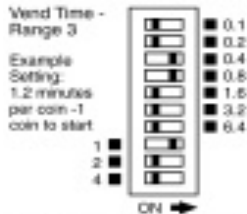
- Predetermined Counter and Timer in One
- Accumulates up to 256 Initiates
- Each Initiate Adds A Time Period to The Total Delay
- Select 1 to 7 Initiates to Start Timing
- Switch Selectable Time Delays to 12.7 Mins.
- Microcomputer Circuitry, ±1% Accuracy
- 30 Amps Isolated SPST Relay Output
- AC Operating Voltages are Available
- Encapsulated Circuitry
- Single Screw Mounting

Description: The HRV Series combines microcomputer timing accuracy with a 30 Amp isolated relay output. These high power contacts can switch motors, pumps, lamps, and heaters directly. Select the time period per initiate, and the number of initiates to start timing. The output is energized during timing. Each initiate adds another time period to the total delay.

Connection Diagram



Adjustment Information



Input Voltage	Time Delay (Per Initiate)	Part Number
24VAC	1 to 127 Sec.	HRV21AE
	0.1 to 12.7 Min	HRV23AE
120VAC	1 to 127 Sec.	HRV41AE
	0.1 to 12.7 Min	HRV43AE

Other options and voltages available

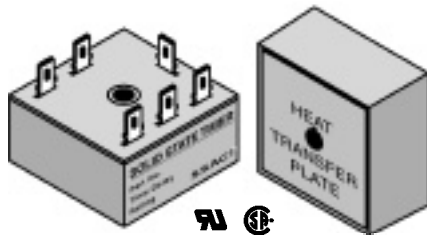
Accessory— 35mm DIN Rail Adaptor
 For Use With SSAC Timer Modules (Comes With Hardware)
 2.0" x 2.0" (51x51mm)
 Part Number: P1023-20 (S102320-1)



THC Series (Non-Accumulating Single Shot Timer)

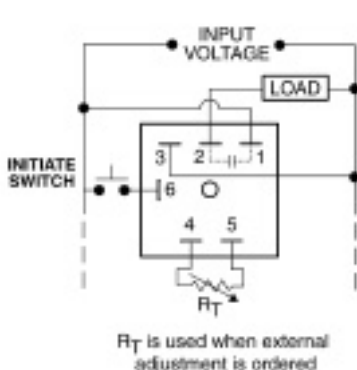
- Fast Initiate Circuitry for Coin Vending
- Analog Circuitry ±2% Accuracy
- Up to 20 Amps Steady State - 200 Amps Inrush
- Compact Size
- 0.1 Seconds to 600 Seconds in 4 Ranges
- External Adjustment
- AC Operating Voltages are Available
- Totally Solid State - Encapsulated

Description: The THC Series was designed to be used in single coin vending equipment. It has faster initiate circuitry so that it can be used with momentary switches in coin drops. Its high power solid state output allows direct switching of motors, heaters, and lamps. When used with loads over 3 Amps, the THC must be mounted on a metal surface. The back surface is a heat transfer plate. The maximum plate temperature is 90 degree C. Heat sink compound is provided with each unit.



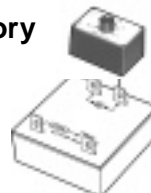
2.0" x 2.0" x 1.51" (51x38mm)

Connection Diagram



Input Voltage	Output Rating	Time Delay	Part Number	Accessory VTP P/N
120VAC	10 Amps	2 to 180 S	THC423B	VTP4J
		5 to 600 S	THC424B	VTP5N
	20 Amps	2 to 180 S	THC423C	VTP4J
		5 to 600 S	THC424C	VTP5N

Accessory



Plug-On Adjust Modules

VTP Modules
 Pushes On Adjustment Terminals
 Quick, Easy, Cost Effective
 .99" x 1.26" x .80"
 (25.1x32x 20.3 mm)