

## Pressure Sensors Unamplified Gage Pressure

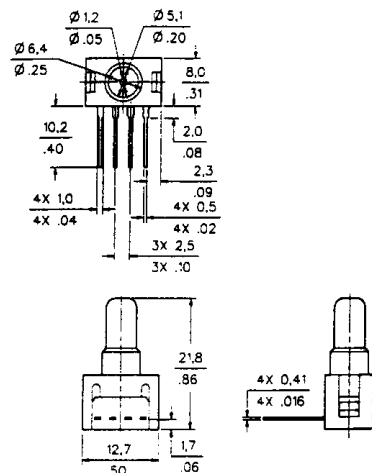
20PC Series;

# 11

# CONTROLS & SENSORS



### TYPICAL DIMENSIONS (For reference only)



### FEATURES

- Lowest priced sensor with temperature compensation and calibration
- Choice of termination for gage sensors
- Calibrated Null and F.S.O.
- Temperature compensated for F.S.O. over 0 to 50°C
- Provides interchangeability
- 10-16 VDC excitation
- $\pm 1.0\%$  F.S.O. linearity
- Compensated temperature range: 0 to 50°C

### 26PC SERIES ORDER GUIDE

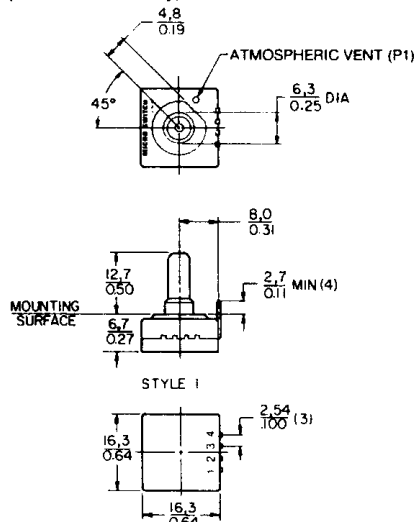
Catalog Listing	Pressure Range psi	Full Scale Output F.S.O., mV Typ.	Null Offset mV Typ.	Sensitivity mV/psi Typ.	Overpressure psi Max.
26PCBFA2G	5.0	50	0	10	20
26PCCFA2G	15	100	0	6.67	45
26PCDFA2G	30	100	0	3.33	60

## Pressure Sensors Unamplified Gage

130PC Series



### TYPICAL DIMENSIONS (For reference only)



### FEATURES

- Miniature package
- Can be used to measure with vacuum or positive pressure
- Absolute and gage sensors available
- Calibrated Null and F.S.O.
- Temperature compensated for F.S.O. over 0 to 50°C
- Provides interchangeability
- Lowest cost 1, 100 and 150 psi calibrated and temperature compensated sensor
- 10-16 VDC excitation
- Compensated temperature range: 0 to 50°C
- Typical null offset  $\pm 0$  mV

### 136PC SERIES ORDER GUIDE

Catalog Listing	Pressure Range psi	Full Scale Output F.S.O. Typ.	Sensitivity mV/psi Typ.	Overpressure psi Max.	Linearity, %F.S.O. P2 > P1 Max.
136PC15A1	0-15	100	6.67	45	$\pm 1.00$
136PC15A1L	0-15 (L)	40	2.67	60	$\pm 0.50$
136PC15A1L	0-30 (0-15L)	79	2.63	60	$\pm 0.75$
136PC01G1	0-1	20	20	20	$\pm 1.00$
136PC100G2	0-100	100	1.00	150	$\pm 0.40$
136PC150G2	0-150	60	0.40	225	$\pm 0.40$