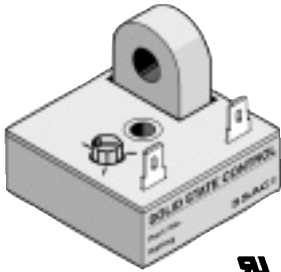


IN STOCK

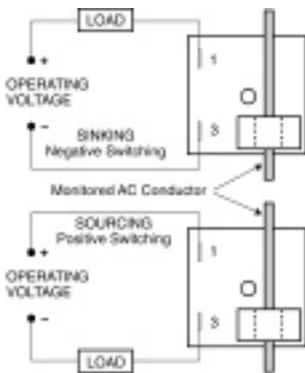
Go/No Go Sensor/Control

✓ AC Current Interface for PLC or AC / DC Loads



2.0" x 2.0" x 1.60"(51x51x41mm)

Connection Diagram



TCS Series (Go/No Go Self-Powered Current Switch)

- Adjustable 2 to 20A: Fixed to 45A (for Higher Trip Points Use an External CT)
- Complete Isolation Between Sensed AC Current and Control Circuitry
- N.O. Closes on Current Rise, N.C. Opens on Current Rise
- 1 Amp Steady - 10 Amps Inrush
- 3 to 50 VDC, 24 to 240 VA in 2 Ranges
- Totally Solid State - Encapsulated
- .36"(9.1mm) Hole Through Sensor

Description: The TCS is a self powered AC current switch. The TCS Series has a solid state output that can sink or source current when connected to a PLC input module. Its normally open or normally closed output can also control loads rated up to 1 A steady - 10 A inrush. The TCS can be surfaced mounted or 35mm DIN rail mounted using the P1023-20 (S102320-1) adaptor.

Operating Voltage	Actuate Current	Output Form	Part Number	In Stock Part Numbers
3 to 50VDC	2 to 20 A	Normally Open	TCSGAA	•
		Normally Closed	TCSGAB	•
	2 A	Normally Open	TCSG2A	
		Normally Closed	TCSG2B	
	40 A	Normally Open	TCSG40A	
		Normally Closed	TCSG40B	
24 to 240VAC	2 to 20 A	Normally Open	TCSHAA	•
		Normally Closed	TCSHAB	•
	2 A	Normally Open	TCSH2A	
		Normally Closed	TCSH2B	
	40A	Normally Open	TCSH40A	
		Normally Closed	TCSH40B	

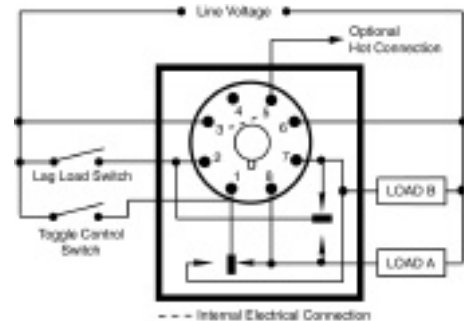
Motor Duplexor • Alternating Relay



1.78 x 2.39 x 3.20 (45x61x81mm)

ARP Series

- Low Profile Selection Switch
- Alternating or Locked Operation
- Solid State Circuitry
- 10 Amp DPDT Output Contacts
- Simplified Field Programming
- Industry Standard 8 Pin Base Connection
- LED Status Indication
- 24VAC - 230VAC ±20%
- 1 Million Operations



The ARP Series is used in systems where equal run time for two motors is desirable. Their low profile selector switch and dual contact status indicators virtually eliminate field programming confusion. Selection of Load A or Load B will electrically lock the internal relay in that position. This allows maintenance on one motor while the other continues to cycle normally. *The alternating action of the ARP occurs upon the opening of the control switch. The 8-Pin, internally cross wired ARP allows extra system load capacity through simultaneous operation of both motors.

*CAUTION: Always disconnect line voltage before servicing any electrical equipment.

Part Number	Operating Voltage	In Stock P/N
ARP23S	24VAC ± 20%	•
ARP43S	120VAC ± 20%	•
ARP63S	230VAC ± 20%	•

Other Models and Options Available.

Accessories

<p>BZ1 Panel Mount Kit for use with all SSAC Plug-in Time Delay Relays</p>	<p>NDS-8 8 Pin Octal Socket Fits 35mm DIN Rail</p>	<p>PSC8 2 Hold Down Clips for NDS-8 Socket</p>
---	---	---