

27 mm Size Metal Shaft *High Performance* Potentiometer

**NEW
PRODUCT** **12**

- **Features** Standard of the Audio Industry
Ideal for *High End Audio* & General Purpose Applications
Precision Characteristics / High Performance

Type Potentiometer: R27 Series

Size / Travel: 27

Product Series: 1

Number of Shafts: 1

Number of Elements: 2

Style: X

Resistance Codes:
 103 10kΩ
 203 20kΩ
 503 50kΩ
 104 100kΩ

Tapers:
 A Audio
 B Linear

Shaft Style: K & F

Shaft Length: L1 = 25 mm

Special Options: D, D31*

(* D31 indicates 31 detents)

Standard Specifications:

Rotational Angle: $300 \pm 3^\circ$

Rotational Torque: 30 ~ 250 gf / cm

Resistance Tol.: $\pm 20\%$

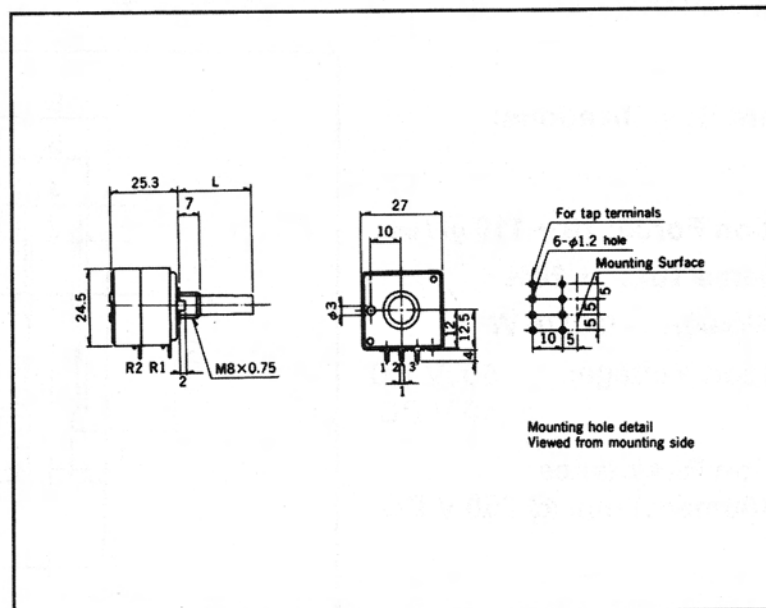
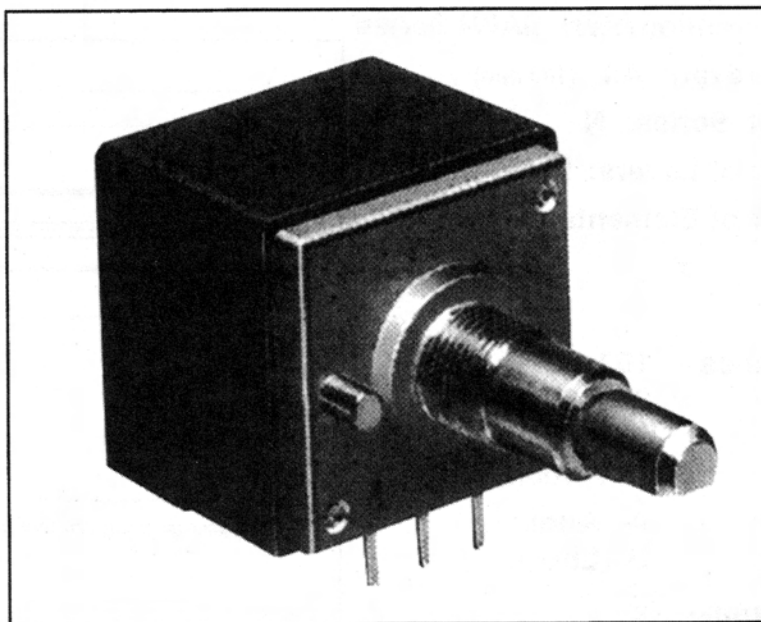
Rated Power: 0.1 W

Max. Oper. Voltage: 150V AC
20V DC

Insulation Resistance:
100megΩ min @ 500 V DC

Slide Noise: $\leq 47\text{mV}$

Bushing: M8 x 0.75



Mounting Height: H = 12.5 mm

P
O
T
E
N
T
I
O
M
E
T
E
R
S
&

T
H
E
R
M
O
S
T
A
T
S
&
E
N
C
O
D
E
R
S