

Low Profile Master Slide Potentiometer

- Features** The Performance Standard of the Audio Industry
 Ideal for TV / Audio / Video / Lighting Control / General Purpose Applications
 Low Profile / High Performance / High Quality Tactile Feel

Type Potentiometer: SA0N Series

Size (Travel): A0 (100 mm)

Product Series: N

Number of Levers: 1

Number of Elements: 1

Style: X

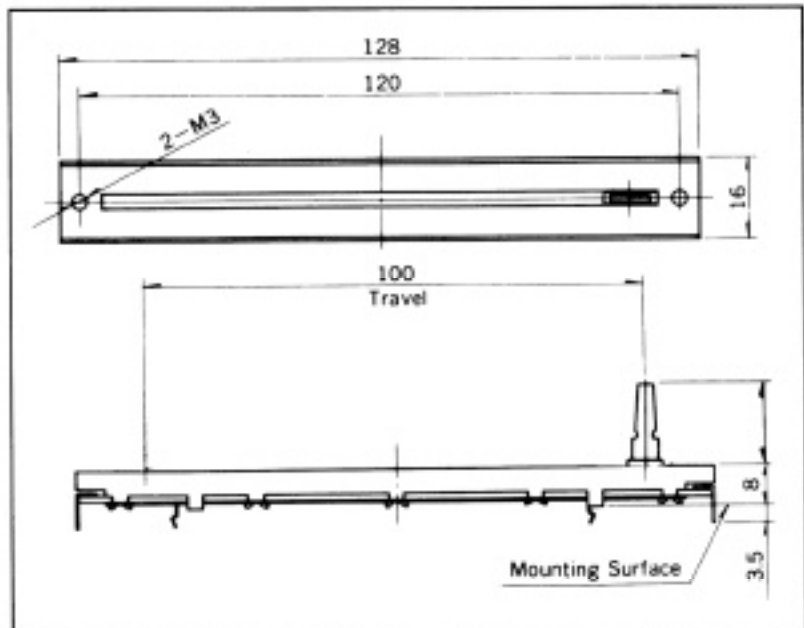
Resistance Codes:
 103 10k Ω
 203 20k Ω
 503 50k Ω
 104 100k Ω

Tapers:
 A Audio
 B Linear

Lever Style: 4

Lever Length: L1 = 20 mm

Special Options: L, T



Mounting Height: H = 8 mm

Standard Specifications:

Operation Force: 10 ~ 110 gf / cm

Resistance Tol.: $\pm 20\%$

Rated Power: 0.025 W

Max. Oper. Voltage: 500V AC
 10 V DC

Insulation Resistance:
 100meg Ω min @ 250 V DC

