

11 mm Size Metal Shaft Rotary Encoder

- **Features** Small / low cost / high precision sliding type encoder
Ideal for Audio / Video / Household Appliance / General Purpose
Compact size / long life / high reliability

Type Potentiometer: E11B Series

Size / Travel: 11

Product Series: B

Pulses / Revolution: 15 (*30)

This type has 1 pulse per 2 detents, therefore resolution is 30 detents, 15 pulses.

Detent: D - Detent

Style: X

Mounting style: 1 - Horizontal
3 - Vertical

Shaft Material: M - Metal

Shaft Style: F - Flat

Shaft Length: L1 = 20 mm

Switch: S - Switch (0.5 mm Travel)
SPST Push-on type
16 vdc 3 A Max.
16 vdc 10 mA Min.

N - No switch

Bushing style:

Horizontal mounting - Threaded
Vertical mounting - Non-threaded

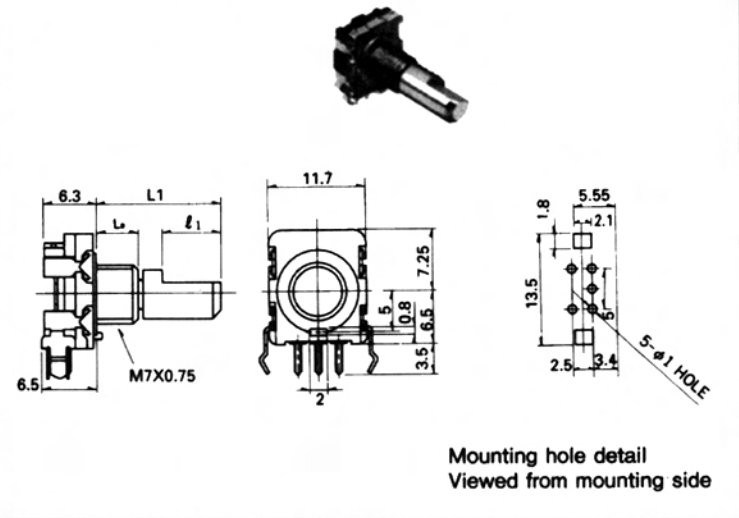
Rotational Angle: 360 Deg.
Endless

Output code: Phase difference
between 2 signals

Rotational Life: 15,000 cycles

Rating: 5 vDC, 10 ma

Horizontal style:



Mounting Height: H = 6.5 mm

Vertical style:

