

16 mm Size Insulated Shaft Rotary Encoder

NEW PRODUCTS 12

- **Features** Small / low cost / high precision sliding type encoder
Ideal for Audio / Video / Household Appliance / General Purpose
Compact size / long life / high reliability

Type Potentiometer: E16B Series

Size / Travel: 16

Product Series: B

Pulses / Revolution: 24 or 12

Detent: D - Detent
N - No Detent

Style: X

Mounting style: 1 - Horizontal
3 - Vertical

Shaft Material: U - Insulated

Shaft Style: F - Flat

Shaft Length: L₁ = 20 mm

Switch: N - No switch available

Special Option:

- A - Audio Feeling type :
Special "High Torque" type
100 ~ 400 gF. Available on
24 pulse type without Detent

Bushing style:

- Horizontal mounting - Threaded
- Vertical mounting - Threaded

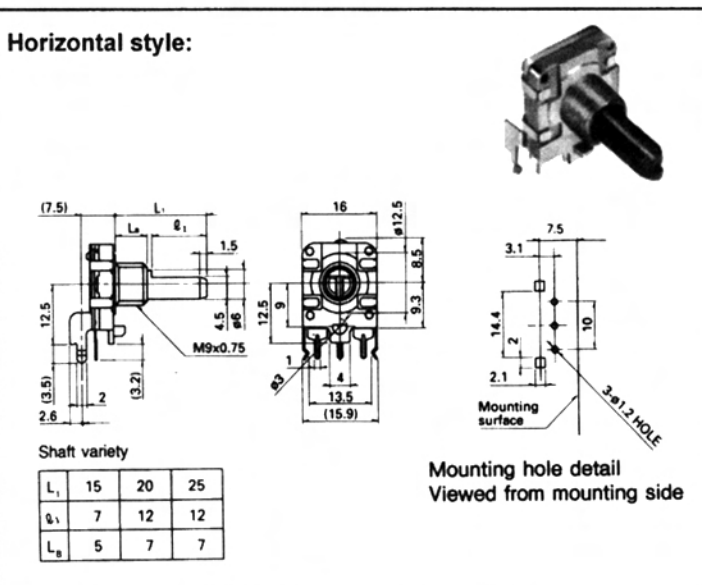
Rotational Angle: 360 Deg.
Endless

Output code: Phase difference
between 2 signals

Rotational Life: 100,000 cycles

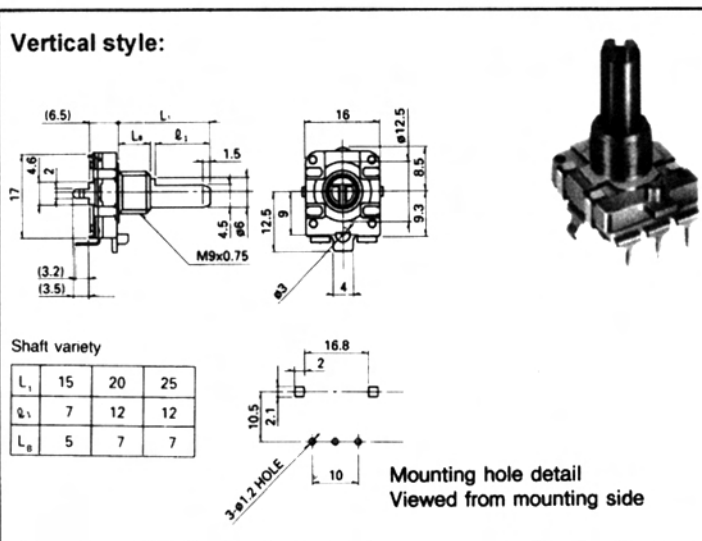
Rating: 5 vDC, 0.5 ma

Horizontal style:



Mounting Height: H = 12.5 mm

Vertical style:



POTENTIOMETERS &

THERMOSTATS & ENCODERS