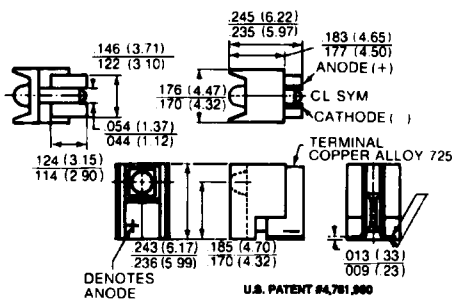




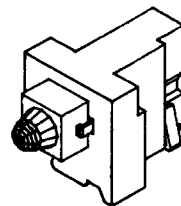
**SERIES 6200T SUB-MINIATURE 1.65 MM RIGHT ANGLE BLOCK ASSEMBLY**



Designated the model 6200 series, these devices position LEDs for easy visibility, particularly in applications where boards are mounted in parallel close to one another. 6200 series surface mount LEDs are available in red, amber, green, and yellow colors, in standard and low-current versions, and in both standard and low-current 5 volt resistor-included versions. 6200 series LEDs are designed and packaged to meet the requirements of automated surface mount production lines. These devices will withstand processing temperatures of either IR or vapor-phase reflow, and are compatible with most common fluxes and cleaning agents. **Housing:**Black Polyphenylene Sulfide, UL 94V-0.

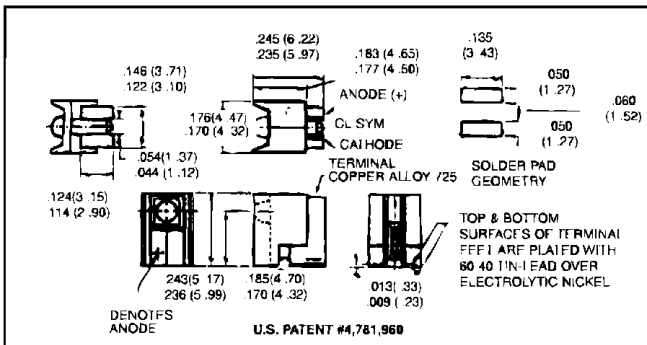
| Mfr. No. | Color  | Typical Intensity | Rated Current | Forward Voltage Typ. |
|----------|--------|-------------------|---------------|----------------------|
| 6200T1   | Red    | 5.0mcd            | 10.0 mA       | 2.2                  |
| 6200T3   | Amber  | 5.0mcd            | 10.0 mA       | 2.0                  |
| 6200T5   | Green  | 4.0mcd            | 10.0 mA       | 2.3                  |
| 6200T7   | Yellow | 3.8mcd            | 10.0 mA       | 2.2                  |

**SERIES 6255T SURFACE MOUNT CIRCUIT BOARD INDICATOR**



Full surface mount reflow compatibility. Wide view angle and super brite output. Direct optics, no bends or losses. Ideal drop-in replacement for Dialight 591 Series Prism. Black housing provides high contrast. UL 94V-0 rated housing.

| Mfr. No. | Color  | Typical Intensity | Current mA |
|----------|--------|-------------------|------------|
| 6255T1   | Red    | 5.0mcd            | 10         |
| 6255T3   | Amber  | 5.0mcd            | 10         |
| 6255T5   | Green  | 4.0mcd            | 10         |
| 6255T7   | Yellow | 3.8mcd            | 10         |
| 6255T1LC | Red    | 0.5mcd            | 2          |
| 6255T5LC | Green  | 1.2mcd            | 2          |
| 6255T7LC | Yellow | 0.5mcd            | 2          |



- Tape and reel packaged for high-speed pick-and-place installation
- Packaged 1000 pieces per reel
- Convection and vapor-phase reflow compatible
- Compact form enables high density placement
- Ideal for backlighting applications
- Wide angle viewing
- Direct-view optics provide smooth uniform appearance
- High output
- Low current (2 mA)
- Built-in resistor for 5V and 5V low-current
- 100K+ hour MTBF
- Easy post-reflow solder joint inspection
- No adhesives
- UL94 V-0 rated housing of black polyphenylene sulfide

**ELECTRO-OPTICAL CHARACTERISTICS AND RATINGS**

| Part Number | Emitted Color | Lens Color | Luminous Intensity |     | Forward Voltage |     |     | Peak Wavelength (nm) |
|-------------|---------------|------------|--------------------|-----|-----------------|-----|-----|----------------------|
|             |               |            | Typ. mcd           | mA  | Type.           | Max | mA  |                      |
| 6200T1      | Red           | Red        | 5.0                | 10  | 2.2             | 3.0 | 10  | 635                  |
| 6200T3      | Amber         | Amber      | 5.0                | 10  | 2.0             | 3.0 | 10  | 600                  |
| 6200T5      | Green         | Green      | 4.0                | 10  | 2.3             | 3.0 | 10  | 565                  |
| 6200T7      | Yellow        | Yellow     | 3.8                | 10  | 2.2             | 3.0 | 10  | 585                  |
| 6200T1LC    | Red           | Red        | .5                 | 2   | 1.8             | 2.2 | 2   | 635                  |
| 6200T5LC    | Green         | Green      | 1.2                | 2   | 1.8             | 2.2 | 2   | 565                  |
| 6200T7LC    | Yellow        | Yellow     | .5                 | 2   | 1.9             | 2.7 | 2   | 583                  |
| 6202T1-5V   | Red           | Red        | 5.0                | 9.6 | 5.0             | 6.0 | 9.6 | 635                  |
| 6202T3-5V   | Amber         | Amber      | 5.0                | 10  | 5.0             | 6.0 | 10  | 585                  |
| 6202T5-5V   | Green         | Green      | 5.0                | 10  | 5.0             | 6.0 | 10  | 583                  |
| 6202T1-SVLC | Red           | Red        | 2.0                | 3.5 | 5.0             | 6.0 | 3.5 | 635                  |
| 6202T3-SVLC | Amber         | Amber      | 4.0                | 3.5 | 5.0             | 6.0 | 3.5 | 565                  |
| 6202T5-SVLC | Green         | Green      | 2.0                | 3.5 | 5.0             | 6.0 | 3.5 | 583                  |