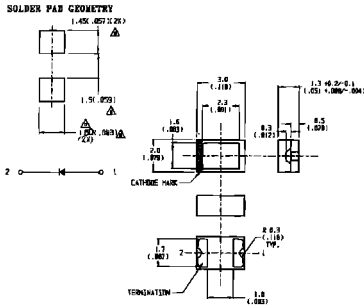




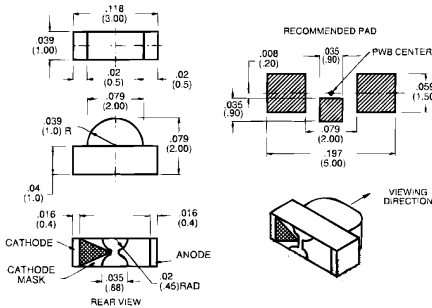
13

P I L O T L I G H T S & I N D I C A T O R S

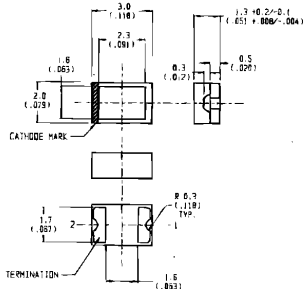


Part Number	Emitted Color	Lens Color	Package Type	Luminous Intensity			Forward Voltage			Peak Wavelength (nm)	View Angle Degrees
				Min. mcd	Typ. mcd	mA	Type.	Max	mA		
CMD11-21VGC/TR8	Green	Clear	Single	3.0	7.5	20	2.1	2.8	20	570	20°
CMD11-21VYC/TR8	Yellow	Clear	Single	3.0	6.0	20	2.0	2.8	20	585	20°
CMD11-21VRC/TR8	Red	Clear	Single	3.5	6.0	20	2.0	2.8	20	640	20°
CMD11-21SRC/TR8	Red	Clear	Single	6.0	17.0	20	1.7	2.4	20	660	20°
CMD11-21UBC/TR8	Blue	Clear	Single	CONTACT FACTORY							
CMD11-21VGC/8	Red	Clear	Dual	6.0	17.0	20	1.7	2.4	20	660	20°
	Green	Clear	Dual	3.0	7.5	20	2.1	2.8	20	570	20°

Part Number	Emitted Color	Lens Color	Package Type	Luminous Intensity			Forward Voltage			Peak Wavelength (nm)	View Angle Degrees
				Min. mcd	Typ. mcd	mA	Type.	Max	mA		
CMD12-21SRC/TR8	Red	Clear	Single	6.2	12.4	20	1.7	2.4	20	660	120°
CMD12-21VRC/TR8	H.E. Red	Clear	Single	3.0	5.0	20	2.0	2.8	20	640	120°
CMD12-21VYC/TR8	Yellow	Clear	Single	1.5	3.0	20	2.0	2.8	20	585	120°
CMD12-21VGC/TR8	Green	Clear	Single	4.4	8.8	20	2.1	2.8	20	570	120°
CMD12-21UBC/TR8	Green	Clear	Single	9.0	14.9	20	2.1	2.8	20	570	120°

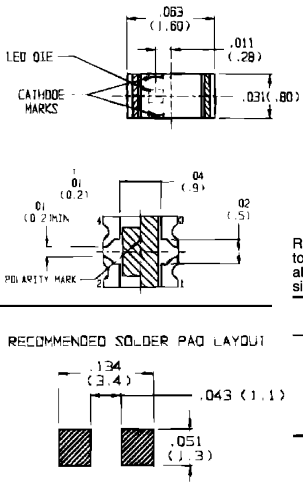


Part Number	Emitted Color	Lens Color	Package Type	Luminous Intensity			Forward Voltage			Peak Wavelength (nm)	View Angle (degrees)
				Min. mcd	Typ. mcd	mA	Type.	Max	mA		
7016X13	Amber	Clear	Single	2.2	6.3	20	2.0	2.8	30	610	110°
7016X1	Red	Clear	Single	2.2	6.3	20	2.0	2.8	30	650	110°
7016X3	Yellow	Clear	Single	2.2	6.3	20	2.1	2.8	30	585	110°
7016X5	Green	Clear	Single	5.6	16.0	20	2.2	2.8	30	563	110°
7016X11	Red	Clear	Single	5.6	16.0	20	1.75	2.5	30	660	110°



Part Number	Emitted Color	Lens Color	Package Type	Luminous Intensity			Forward Voltage			Peak Wavelength (nm)	View Angle Degrees
				Min. mcd	Typ. mcd	mA	Type.	Max	mA		
7018X1/5	Red/Green	Clear	Single	7.0	11.7	20	1.7	2.3	20	660	120°
7018X5/7	Green/Yellow	Clear	Single	4.5	6.4	20	2.1	2.8	20	560	120°

SERIES CMD115 RIGHT ANGLE SURFACE MOUNT LEDs



Right angle surface mount LED lamps are designed to be compatible with today's state-of-the-art surface mount technology. Packaged on 8mm tape allowing for easy automated placement. All have clear lenses. Compact size only 3.0mm x 1.0mm x 2.0mm.

Mfr. No.	Color	Typical Intensity	Typical Current
CMD11504UR	Red	13.2mcd	20mA
CMD11504A	Orange	3.2mcd	20mA
CMD11504Y	Yellow	3.2mcd	20mA
CMD11504PY	Pure Yellow	10.4mcd	20mA
CMD11504G	Green	16.0mcd	20mA
CMD11504PG	Pure Green	2.6mcd	20mA

Part Number	7016X1/5	7016X5/7
Output Color	Red/Green	Green/Yellow
Diffused/Non-Diffused	Non-Diffused	Non-Diffused
Package Tint	Clear	Clear
Rated Current (mA)	20/20	20/20
Forward Voltage Typ. (V)	1.75/2.2	2.2/2.2
Forward Voltage Max. (V)	2.5/2.8	2.8/2.8
Reverse Current Max. (V=-4V)	100	100
Min. Luminous Intensity (mcd)	9.0	9.0
Max. Luminous Intensity (mcd)	16.0/20	20/16
Peak Wavelength (nm)	660/570	570/580
Power Dissipation Max. (mW)	60	60
Continuous Forward Current Max. (mA)	30/25	25
Peak Forward Current Max. (mA)	75/60	60
Viewing Angle (degrees)	110	110
Operating Temperature (°C)	-25/+80	-25/+80
Storage Temperature (°C)	-30/+85	-30/+85