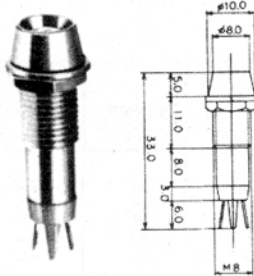
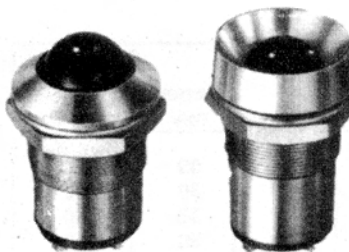


Models 440

MODEL 440

The Model 440 LED Indicator Light is a larger version of the Model 407. Available with either chrome body or black anodized body. Voltages range from 2 to 24 with built-in resistor. 2 volt versions slightly shorter in length.

Part Number	Color	Voltage	Current mA	Luminous Intensity (mcd)
LED-440G	Green	2.0	30	15
LED-440G-5	Green	5.0	30	15
LED-440G-12	Green	12.0	30	15
LED-440G-24	Green	24.0	30	15
LED-440GBO	Green - BlackBody	2.0	30	15
LED-440GBO-5	Green - Black Body	5.0	30	15
LED-440GBO-12	Green - Black Body	12.0	30	15
LED-440GBO-24	Green - Black Body	24.0	30	15
LED-440R	Red	2.0	30	15
LED-440R-5	Red	5.0	30	15
LED-440R-12	Red	12.0	30	15
LED-440R-24	Red	24.0	30	15
LED-440RBO	Red - Black Body	2.0	30	15
LED-440RBO-5	Red - Black Body	5.0	30	15
LED-440RBO-12	Red - Black Body	12.0	30	15
LED-440RBO-24	Red - Black Body	24.0	30	15
LED-440Y	Yellow	2.0	30	2.5
LED-440Y-5	Yellow	5.0	30	2.5
LED-440Y-12	Yellow	12.0	30	2.5
LED-440Y-24	Yellow	24.0	30	2.5
LED-440YBO	Yellow - Black Body	2.0	30	2.5
LED-440YBO-5	Yellow - Black Body	5.0	30	2.5
LED-440YBO-12	Yellow - Black Body	12.0	30	2.5
LED-440YBO-24	Yellow - Black Body	24.0	30	2.5

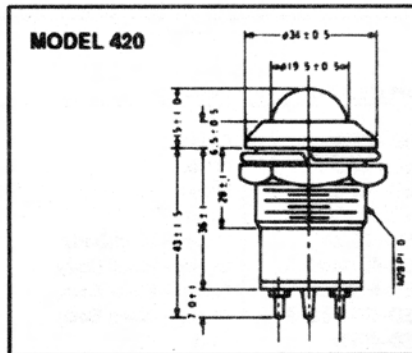
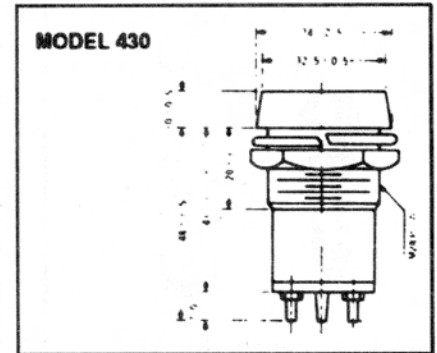
Models 420/430 Ultra Large Light Emitting Diode


MODEL 420
MODEL 430

Model 420 Ultra-Large LED Indicator Lights are similar in appearance to the Model 406. The LED is installed in a manner that the lens of the LED forms a macrodome lens for the indicator light.

The Model 430 Ultra-Large LED Indicator Light looks similar to the Model 407. A large dish shaped reflector around the LED produces a much larger illuminated area.

These indicator lights come with a built-in resistor for 12, 24 or 100VDC. Other voltages are optional.


Panel Hole: 28.5mm


Part Number	Color	Voltage	Current mA	Luminous Intensity (mcd)
LED-420G-12 or LED-430G-12	Green	12V	20	4.0
LED-420G-24 or LED-430G-24	Green	24V	20	4.0
LED-420G-100 or LED-430G-100	Green	100V	20	4.0
LED-420R-12 or LED-430R-12	Red	12V	20	5.0
LED-420R-24 or LED-430R-24	Red	24V	20	5.0
LED-420R-100 or LED-430R-100	Red	100V	20	5.0
LED-420Y-12 or LED-430Y-12	Yellow	12V	20	4.0
LED-420Y-24 or LED-430Y-24	Yellow	24V	20	4.0
LED-420Y-100 or LED-430Y-100	Yellow	100V	20	4.0