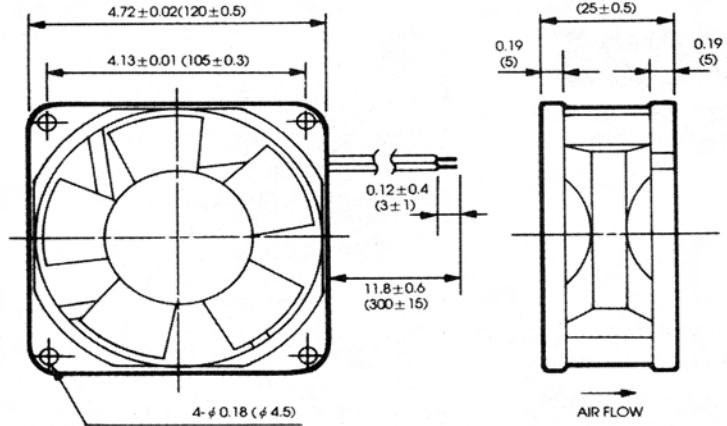
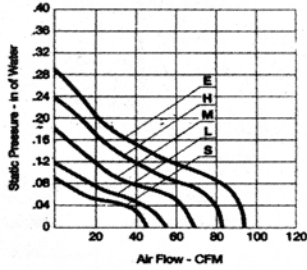




E1225

Size: 4.72×4.72×0.98 inch
120×120×25mm

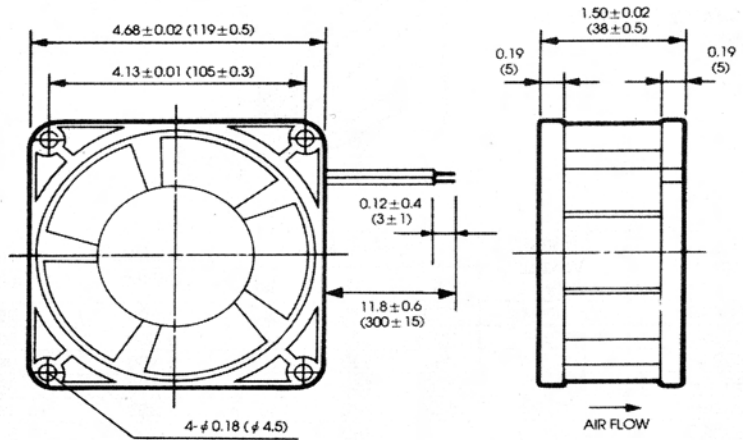
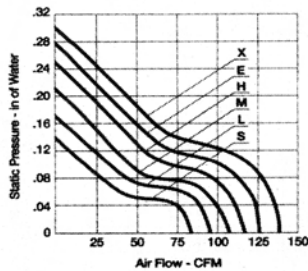


Model No.	Rated Voltage (V)	Current (mA)				Revolution (RPM)	Air Volume (cfm)	Max. Static Pressure (in H ₂ O)	Sound Noise (dBA)	Weight (oz)
		5	12	24	48					
E1225S	5/12/24	220	100	85		1,400	44	0.09	28	6.28
E1225L	5/12/24	340	142	95		1,800	55	0.12	32	
E1225M	5/12/24	600	245	160		2,200	67	0.18	36	
E1225H	12/24/48		385	240	120	2,600	82	0.24	40	
E1225E	12/24/48		580	340	170	3,000	93	0.29	44	

* Available with quick disconnect terminal block.

F1238

Size: 4.69×4.69×1.5 inch
119×119×38mm



Model No.	Rated Voltage (V)	Current (mA)				Revolution (RPM)	Air Volume (cfm)	Max. Static Pressure (in H ₂ O)	Sound Noise (dBA)	Weight (oz)
		5	12	24	48					
F1238S	5/12/24/48	520	180	90	60	1,800	82	0.14	34	7.87
F1238L	5/12/24/48	800	290	145	80	2,050	93	0.17	36	
F1238M	12/24/48		360	180	120	2,300	104	0.21	38	
F1238H	12/24/48		440	220	140	2,500	112	0.25	41	
F1238E	12/24		700	350		2,800	125	0.28	43	
F1238X	12/24		950	500		3,100	140	0.30	45	

* Available with quick disconnect terminal block.

● Mechatronics Fan Options

- Tachometer Output Signal**
White third lead wire provides a 2 pulses per revolution square wave output, open collector format, TTL compatible signal.
- Locked Rotor Output Signal**
Yellow third lead wire provides an open collector formatted low output signal while fan is rotating. When rotation stops, the signal changes to an open collector high output, TTL compatible signal.
- Thermistor Speed Control - Hub mounted sensor**
- Thermistor Speed Control - Wire mounted sensor**