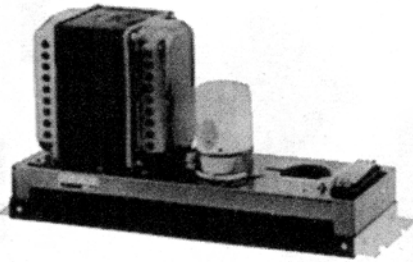


CVDC SERIES CONSTANT VOLTAGE SUPPLIES



Rugged, simple and dependable power supplies in both modular and rack-mount styles. Designed for computers, data processing, industrial solenoid/relay controls, measurements, telemetering and wherever isolation from line fluctuations is required. Units contain a constant voltage transformer, rectifier and filter circuit, and provide tight regulation, high peak current, quick response isolation and current limiting. **Regulation:** $\pm 1\%$ or less for an input variation as much as $\pm 15\%$. **Response Time:** 25 msec. **Efficiency:** Approx. 80-90%. **Ripple:** Less than 1%. **Operating Temperature:** 0°C to +50°C. Units may be connected in series for higher voltage, or in parallel for higher current. Immune to inductive load induced transients/spikes, designed for 19" rack, benchtop or equipment cabinet mounting. 60 Hz models are UL recognized.

RACK-MOUNT STYLE

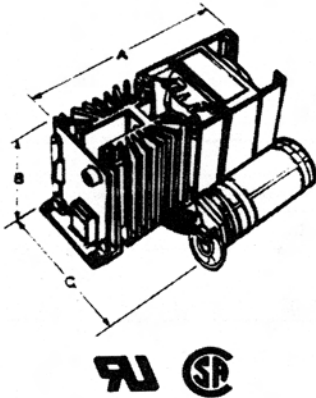
Single phase. Standard 19" rack mount, PARD is 1% of output voltage.

Mfr. No.	DC Output			% Load Regulation		Panel Size (In.)		Mtg. Ctrs. (In.)	Approx. Ship Wt. (Lbs.)
	V	A	VA	20% full load	50% full load	Ht.	Dpth.		
100-130 VA, 60 Hz INPUT SOURCE									
28-1024-1	24	6	145	6	4	5¼	9¾	2¼	30
28-2126-1	24	10	240	6	4	5¼	8¾	2¼	48
28-1203-2	24	15	360	7	5	7	7¼	4	64
28-2127-1	24	25	600	7	5	8¾	9	5¾	70

CVDC FOR TELECOMMUNICATIONS APPLICATIONS

Low output noise level (ripple); 35 dBmC (15mV rms). **Input Source:** 100-130/200-260 VAC, 60 Hz.

Mfr. No.	DC Output			% Load Regulation		Panel Size (In.)		Mtg. Ctrs. (In.)	Approx. Ship Wt. (Lbs.)
	V	A	VA	20% f.l.	50% f.l.	Ht.	Dpth.		
28-2233	48	10	480	5	3	5¼	9¾	2¼	53
28-2234	48	20	960	5	3.5	8¾	9¾	5¾	77



COPPERLINE HIGH POWER ADJUSTABLE DC POWER SUPPLY

Features:

- Selectable 120/140 VAC, 50/60 Hz input
- Single supply for multiple applications
- Parallel operation for increased power output
- Reliable SCR design
- 100% Burn-in
- UL and CSA

Applications:

- Engineering bench supply
- Slot power supply
- Telecommunications
- Manufacturer test applicators
- Automotive product tester

Copperline power supplies provide high current DC that is continuously adjustable over either a 2 to 25 or 5 to 50 volt range. Can be set for constant voltage or constant current operation. Wide voltage range makes these units suitable for many slot supply applications where different supplies would normally be required for each application. In the constant mode, can be used as a battery charger. Adjustable damping for inductive loads enables units to drive relays, solenoids and motors. SCR rectifiers provide precision ($\pm 1\%$) regulation with maximum (75%) efficiency. Series inductance and capacitor filter circuit provide low noise operation over all load and line conditions. AC input 105-130/210-260 VAC 1-phase 47-63 Hz. Controls include current limit adjust 0-100%; output volts adjust 10-100%; ripple adjust.

Mfr. No.	Power (Watts)	Dimensions (In.)			DC Output	
		A	B	C	Volts	Amps
39-407	300	11.00	6.75	7.66	5-50/2-25	6/12
39-408	600	12.00	6.75	7.66	5-50/2-25	12/24
39-409	1200	14.00	10.00	11.12	5-50/2-25	24/48