

UNI-PAC™

UNI-PAC 1B FAMILY TABLE

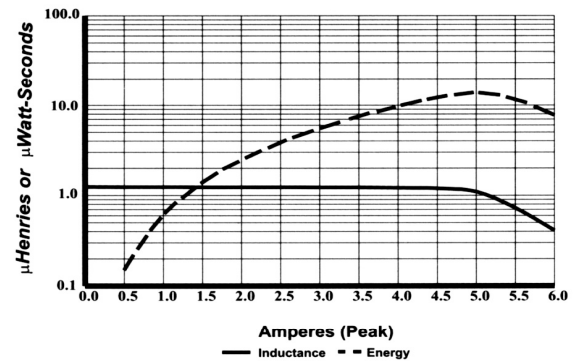
Part Number	Inductance μH (rated)	OCL ⁽¹⁾ $\mu\text{H} \pm 20\%$	I _{RMS} ⁽²⁾ Amperes	I _{SAT} ⁽³⁾ Amperes	DCR ⁽⁴⁾ Ohms max.
UP1B-R47	0.47	0.569	6.0	7.7	0.0097
*UP1B-1R0	1.0	1.20	4.4	5.3	0.0177
UP1B-1R5	1.5	1.61	4.2	4.5	0.0200
*UP1B-2R2	2.2	2.62	3.1	3.5	0.0363
UP1B-3R3	3.3	3.79	2.9	3.0	0.0428
*UP1B-4R7	4.7	5.15	2.2	2.6	0.0544
UP1B-6R8	6.8	6.87	1.7	2.2	0.0897
*UP1B-100	10.0	11.00	1.5	1.9	0.1107
*UP1B-150	15.0	16.00	1.2	1.5	0.1747
*UP1B-220	22.0	23.50	1.0	1.2	0.2541
*UP1B-330	33.0	36.00	0.82	0.99	0.3670
*UP1B-470	47.0	48.50	0.72	0.87	0.4740
UP1B-680	68.0	73.52	0.58	0.67	0.7320
UP1B-101	100.0	112.67	0.47	0.53	1.109

Notes: (1) Open Circuit Inductance Test Parameters: 100KHz, .250Vrms, 0.0A dc.
 (2) RMS current for an approximate ΔT of 40°C. at an ambient temperature of 85°C.
 (3) Peak current for approximately 30% rolloff.
 (4) DCR limits 20°C.

***BOLD** are available from stock.

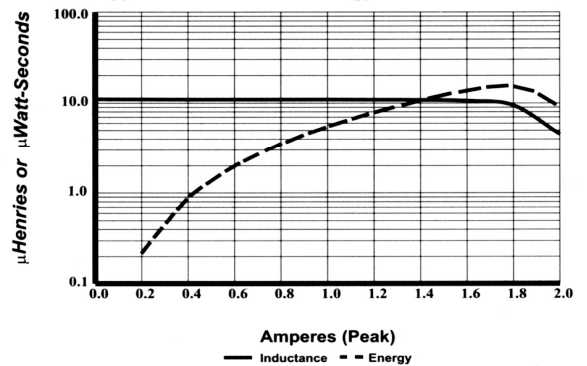
UP1B-1R0

Typical Inductance & Energy vs Saturation Current



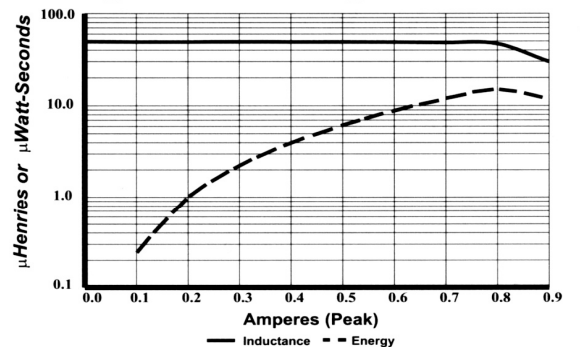
UP1B-100

Typical Inductance & Energy vs Saturation Current

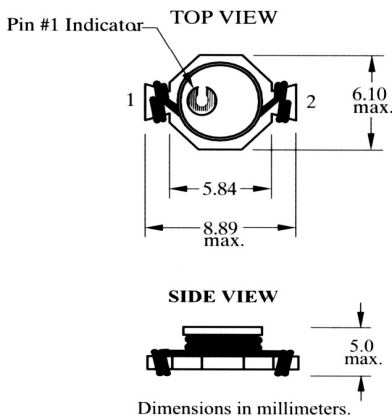


UP1B-470

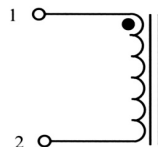
Typical Inductance & Energy vs Saturation Current



MECHANICAL DIAGRAM



CONNECTION DIAGRAM



PACKAGING INFORMATION

Parts are packaged on 13" reels.
900 parts per reel.

PCB PAD LAYOUT

