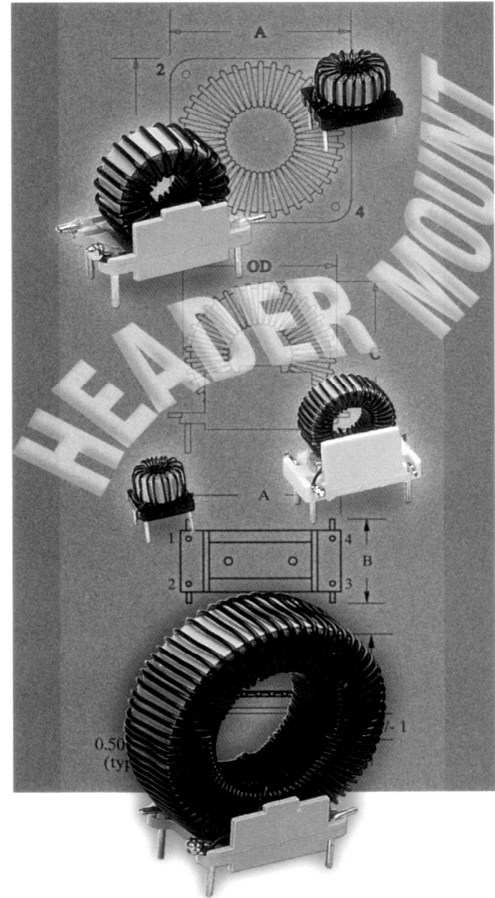


LOW COST POWER INDUCTORS **LCPI 18**

**MECHANICAL DIMENSIONS**

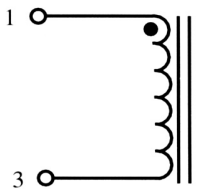
<b>Header Mounted Option</b>										
Header Mounted Part Number	See Figure #	OD (max)	A (max)	B (max)	C (max)	X (typ)	Y (typ)	T (typ)	H (typ)	
CTX10-1-52M	3	8.6	9.4	9.4	6.9	6.5	6.5	—	—	
<b>*CTX20-1-52M</b>	3	9.1	9.4	9.4	9.0	6.5	6.5	—	—	
<b>*CTX50-1-52M</b>	4	16.2	19.6	16.1	20.0	15.3	6.4	—	—	
<b>*CTX100-1-52M</b>	4	15.5	19.6	16.1	19.7	15.3	6.4	—	—	
CTX150-1-52M	4	20.7	19.6	16.1	24.2	15.3	6.4	—	—	
CTX250-1-52M	5	20.9	31.0	16.0	22.5	20.3	10.2	1.20	1.45	
CTX500-1-52M	5	24.0	35.4	21.7	25.0	23.0	15.4	1.20	1.45	
CTX750-1-52M	5	29.8	35.4	21.7	31.6	23.0	15.4	1.20	1.45	
CTX1000-1-52M	5	29.8	35.4	21.7	31.2	23.0	15.4	1.20	1.45	
CTX10-2-52M	3	12.7	13.6	11.4	11.7	10.8	7.5	—	—	
<b>*CTX20-2-52M</b>	3	12.5	13.6	11.4	11.4	10.8	7.5	—	—	
<b>*CTX50-2-52M</b>	5	21.6	31.0	16.0	23.5	20.3	10.2	1.20	1.45	
<b>*CTX100-2-52M</b>	5	24.0	35.4	21.7	26.0	23.0	15.4	1.20	1.45	
CTX150-2-52M	5	30.6	31.0	16.0	32.5	20.3	10.2	1.20	1.45	
CTX250-2-52M	5	31.2	35.4	21.7	33.4	23.0	15.4	1.20	1.45	
CTX500-2-52M	5	36.7	31.0	16.0	38.4	20.3	10.2	1.20	1.45	
CTX750-2-52M	5	44.3	35.4	21.7	45.4	23.0	15.4	1.20	1.45	
CTX10-5-52M	5	22.2	31.0	16.0	22.7	20.3	10.2	1.20	1.45	
<b>*CTX20-5-52M</b>	5	24.5	35.4	21.7	25.5	23.0	15.4	1.20	1.45	
<b>*CTX50-5-52M</b>	5	32.3	35.4	21.7	33.7	23.0	15.4	1.11	1.36	
CTX100-5-52M	5	37.8	35.4	21.7	40.2	23.0	15.4	1.24	1.49	
CTX150-5-52M	5	46.4	35.4	21.7	47.0	23.0	15.4	1.24	1.49	
CTX10-7-52M	5	25.7	35.4	21.7	26.7	23.0	15.4	1.38	1.63	
CTX20-7-52M	5	32.4	35.4	21.7	34.2	23.0	15.4	1.38	1.63	
CTX50-7-52M	5	39.0	35.4	21.7	40.3	23.0	15.4	1.38	1.63	

Note: All dimensions are in millimeters.  
\* **BOLD** are available from stock.



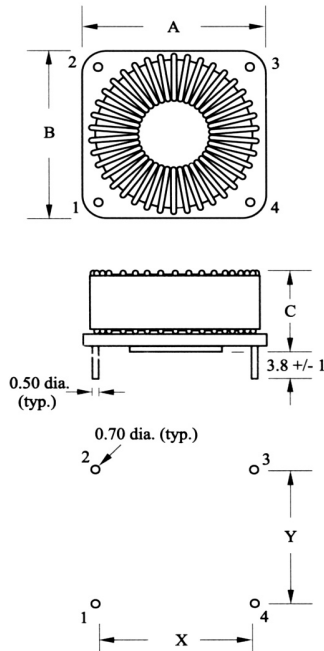
INDUCTORS

**CONNECTION DIAGRAM**

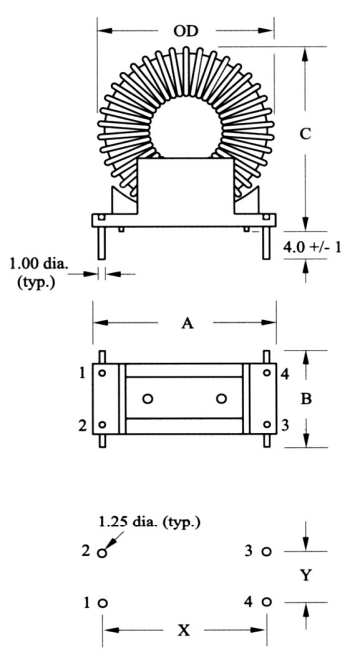


**HEADER MOUNT**

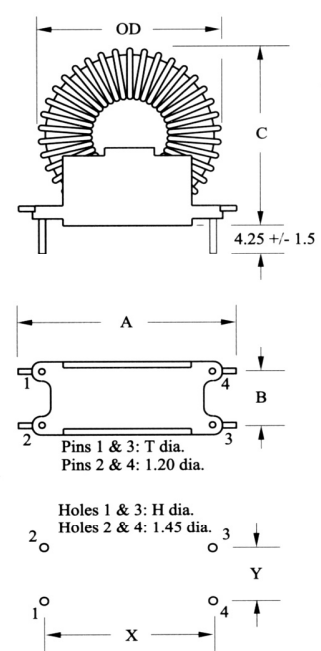
**FIGURE 3**



**FIGURE 4**



**FIGURE 5**



Drawings are not to scale.