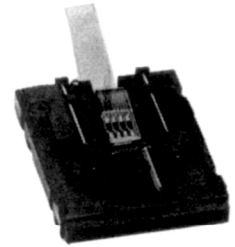


SCR

Features

- Manual insert IC reader: Ideal for access control, time/attendance, ID control, telephone, and vending
- Reads chip cards according to ISO 7816
- Interchangeable with SBR housing
- Card set switch
- Slim profile package
- IC read/write
- TTL interface



Characteristic Data

Card insert force 1 kg max.

Card extract force Approx. 100 g to 500 g

Service life 100,000 passes minimum (roundtrip)

Card feed speed 100 cm/sec. max.

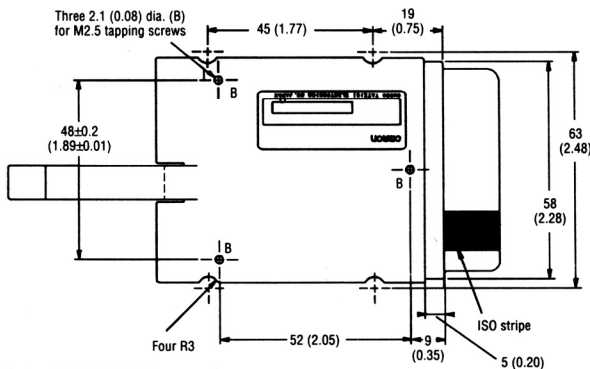
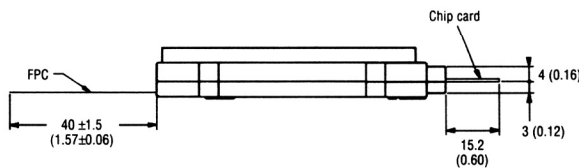
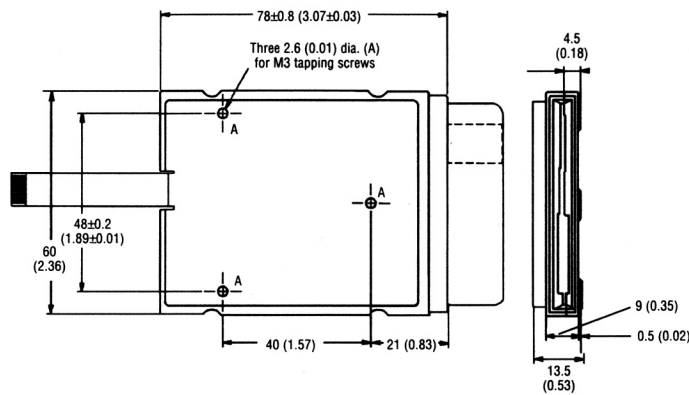
Operating temperature -25°C to +75°C

Ordering Information

Part number	IC type
3S4YR-SCR0J	ISO 7816

Dimensions [Unit: mm (inch)]

3S4YR-SCR



Note: 1. Unless otherwise noted, tolerance is ± 0.3 (.012).