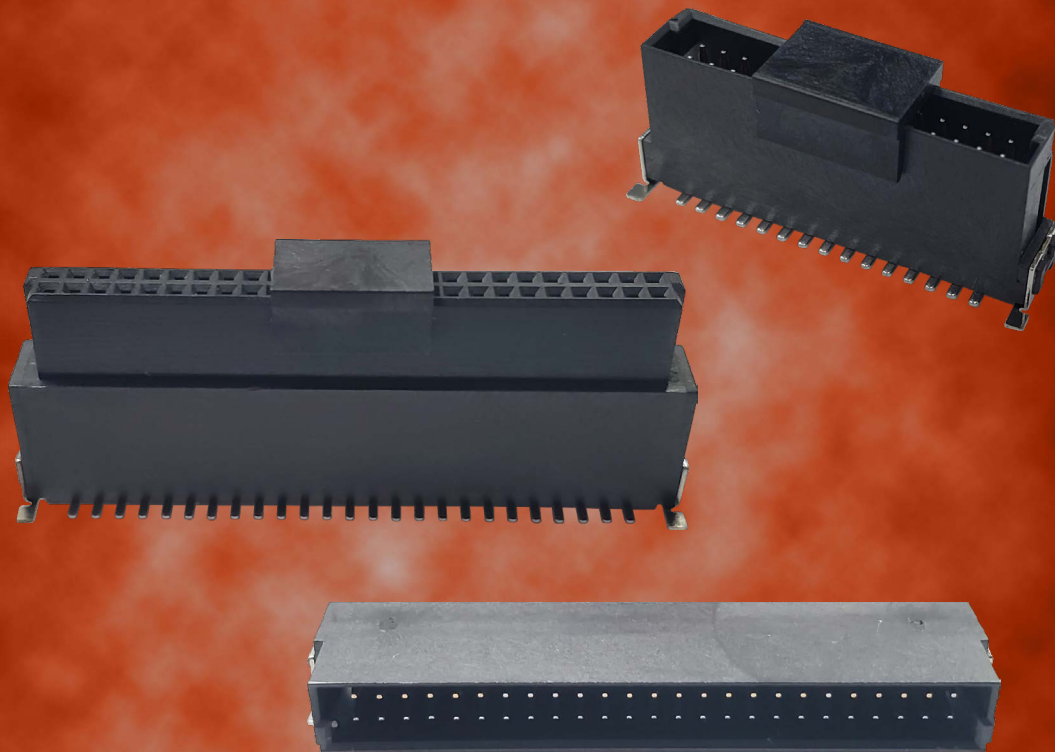


ADAME TECH



1.27MM BOARD-TO-BOARD STACKING AND
COPLANAR CONNECTORS (ESMC SERIES)



Adam Tech's 1.27mm Board-to-Board Stacking and Coplanar Connectors are an optimal board stacking solution. The 1.27mm pitch enables PCB connections in parallel, perpendicular, or side-by-side arrangements. Their secure mating allows for PCB connection distances ranging from .315" [8.0mm] to .728" [18.5mm]. These connectors are available in both vertical and right angle mounting orientation, with the vertical connectors offered in low, mid, or high profile. They are ideal for products in various industries including consumer electronics, industrial, and medical.

APPLICATIONS:

- Computers
- Telecommunications
- Industrial control systems
- Medical devices
- Automotive



FEATURES AND BENEFITS:

- .050" [1.27mm] pitch
- 12, 16, 20, 26, 30, 32, 40, 50, 68, or 80 contacts
- Parallel, perpendicular, and side-by-side PCB connection arrangements
- PCB connection distances: .315" [8.0mm] to .728" [18.5mm]
- High reliability precision formed contact design
- Angular inclination tolerance (longitudinal: 3.9°, transverse: 2.6°)
- High temperature thermoplastic insulator
- Operating temperature: -55°C to +125°C
- RoHS compliant

ESMC-M-XX-SGR-SMT



- Right angle plug
- Multiple pin counts

ESMC-F-XX-SGR-SMT



- Right angle socket
- Multiple pin counts

ESMC-M-XX-SGS-SMT-X-PP



- Vertical plug
- Multiple pin counts
- Low, mid, and high profile options
- Pick & place cap

ESMC-F-XX-SGS-SMT-X-PP



- Vertical socket
- Multiple pin counts
- Low, mid, and high profile options
- Pick & place cap

SPECIFICATIONS:

Material:

Insulator: High temp thermoplastic, rated UL 94V-0
 Insulator color: Black
 Contacts: Phosphor bronze
 Board lock: Brass, tin plated
 Plating:
 Gold flash over nickel underplate on contact area
 Tin over nickel underplate on solder tails

Electrical:

Current rating: 1.2 A max
 Contact resistance: 25 mΩ max
 Insulation resistance: 1000 MΩ min
 Withstanding voltage: 500 VAC for 1 minute

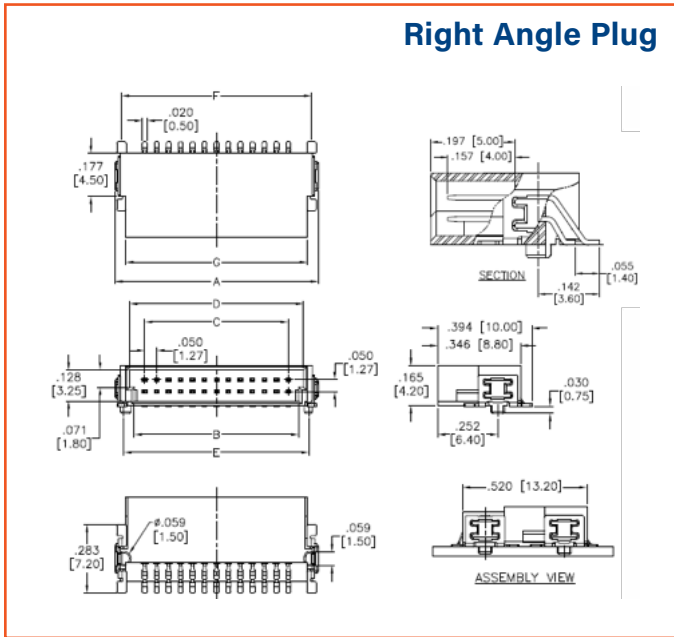
Temperature Rating:

Operating temperature: -55°C to +125°C

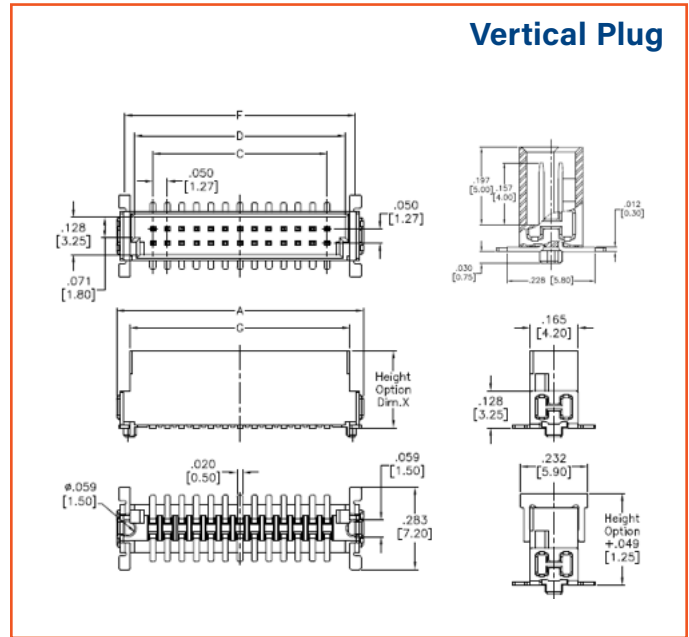
Environmental:

Lead free, RoHS compliant

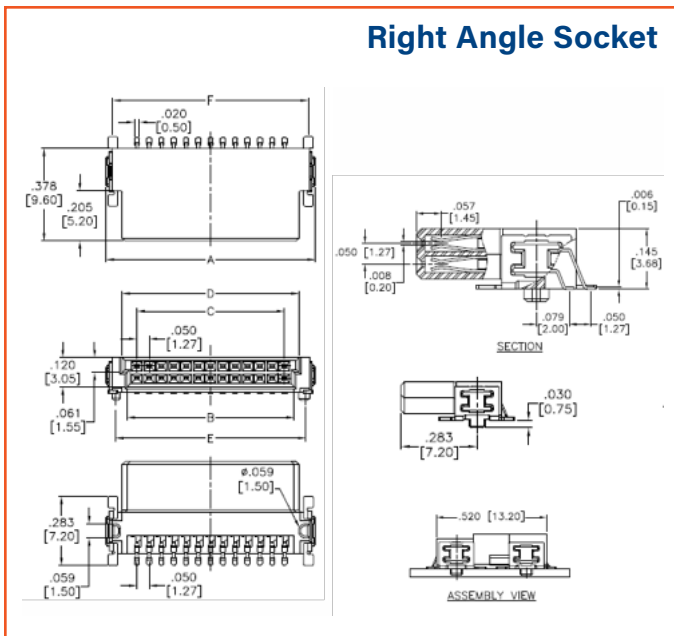
Right Angle Plug



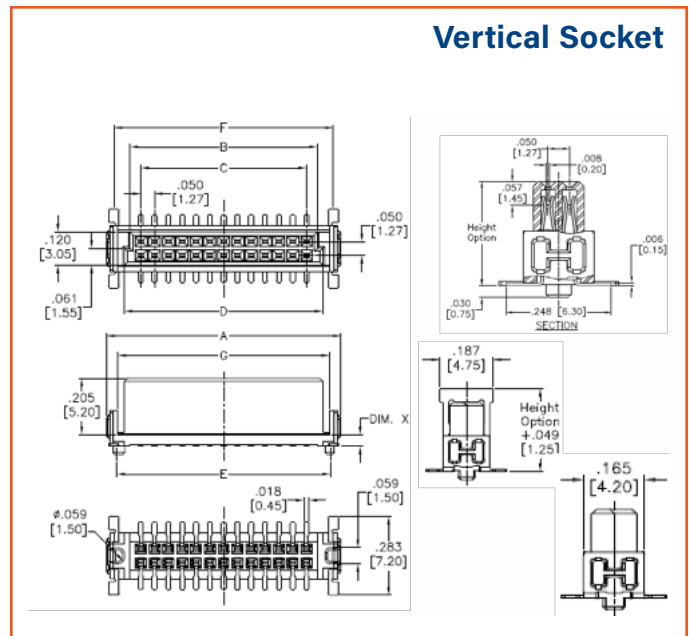
Vertical Plug



Right Angle Socket



Vertical Socket



ADAM TECH

ADAM TECH USA

(WORLDWIDE HQ)

909 Rahway Ave.

Union, NJ 07083

U.S.A.

Tel: 908-687-5000

Fax: 908-687-5710

Email: info@adam-tech.com

ADAM TECH TAIWAN

9F-3, No. 10, Lane 609, Sec. 5, Chongxin Rd.

Sanchong Dist., New Taipei City 241

Taiwan (R.O.C.)

Tel: 886-2 2999 8028

Fax: 886-2 2999 8062

Email: info@adam-tech.com

ADAM TECH EUROPE

Marcel Schwob

Karlsruhe, Germany

Email: info@adam-tech.com

ADAM TECH CHINA

Yingfeng 1st Road, Dajingtou Community

Dalang Town, Dongguan City

Guangdong Province

China (P.R.C.)

Tel: 886-2 2999 8028

Fax: 886-2 2999 8062

Email: info@adam-tech.com

ADAM TECH SOUTH AMERICA

Cesar Nakajune

Sao Paulo, Brazil

Email: info@adam-tech.com

To contact us, scan the QR
code to reach our website
inquiry form.



adam-tech.com