
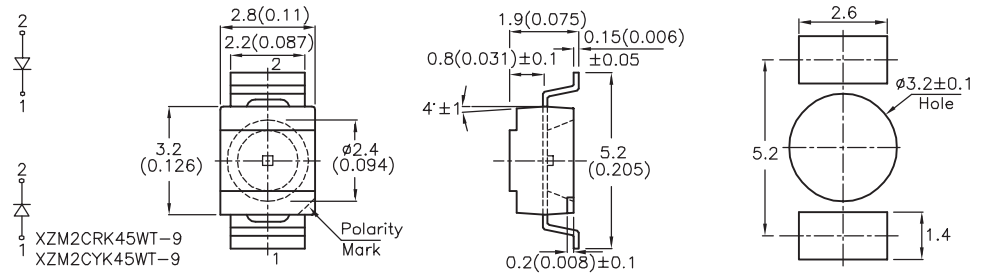


Part Number	Chip Structure (Emitted Color)	λ_{peak} (nm)	Intensity(mcd) $I_f=20mA$		Viewing Angle 2 θ 1/2	Lens
			Min.	Typ.		

3.2x2.8x1.9mm (PLCC Reverse Mount)

Dimension Unit: mm(inches), Tolerance : ±0.25(0.01")

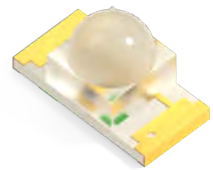
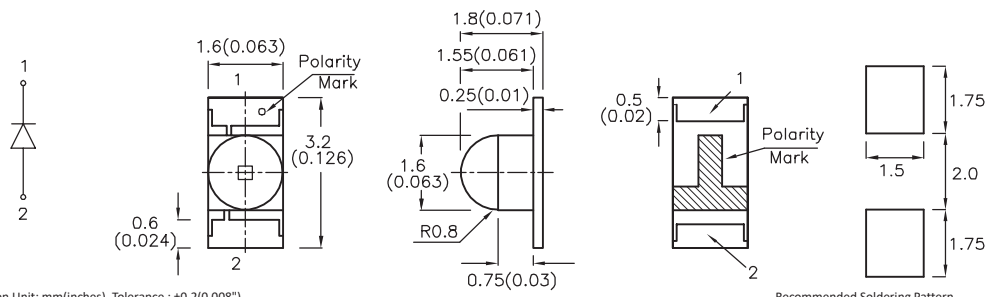
Recommended Soldering Pattern

XZMDK45WT-9	◆ AlGaInP(Red)	645	55	98	120°	Water Clear
XZM2CRK45WT-9	◆ AlGaInP(Red)	640	300	447	120°	Water Clear
XZMYK45WT-9	◆ AlGaInP(Yellow)	590	120	248	120°	Water Clear
XZM2CYK45WT-9	◆ AlGaInP(Yellow)	590	400	597	120°	Water Clear
XZVG45WT-9	◆ AlGaInP(Green)	574	40	98	120°	Water Clear
XZM2DG45WT-9	◆ InGaN(Green)	520	1000	1395	120°	Water Clear
XZDGK45WT-9	◆ InGaN(Green)	515	500	995	120°	Water Clear
XZFB45S-9	◆ InGaN(Blue)	465	300	447	120°	Water Clear

HIGH TEMPERATURE SERIES

Part Number	Chip Structure (Emitted Color)	λ_{peak} (nm)	Intensity(mcd) $I_f=20mA$		Viewing Angle 2 θ 1/2	Lens
			Min.	Max.		

3.2x1.6x1.8mm (1206 Dome Lens)

Dimension Unit: mm(inches), Tolerance : ±0.2(0.008")

Recommended Soldering Pattern

XZMDK55W-3HTA	◆ AlGaInP(Red)	645	300	1300	40°	Water Clear
---------------	----------------	-----	-----	------	-----	-------------



Reverse-Mount PLCC SMD

XZxx45WT-9

XZxx45WT-9 - Reverse-Mount PLCC SMD LED Series

PRODUCT HIGHLIGHT

SunLED's Reverse-Mount PLCC SMD LED series are perfect for designs with limitations on component height. This series takes the traditional, industry-standard 3.5 mm x 2.8 mm top-emitting LED and re-engineers it for reverse-mount emission. This is achieved through a Z-Bend lead frame which allows the LED to mount upside-down and provide illumination through a hole on the PCB.

Reverse-mount LEDs have been an increasingly popular and creative solution for designs with limitations on component height by creating a flush surface on the PCB. Reverse-mount LEDs are also widely used to keep all components on one side of the PCB while requiring illumination to emit on the opposite side. SunLED is ready to support next-generation designs with a full spectrum of reverse-mount PLCC SMD LEDs.

PRODUCT APPLICATIONS

- Consumer electronics
- Home automation/IoT
- White goods
- Icon and text backlighting
- Safety and security
- Audio and video
- Automotive backlighting
- Instrumentation
- Medical and healthcare


PRODUCT FEATURES

- Reverse-mount version of industry-standard PLCC footprint
- High-intensity output utilizing a reflector-type package
- Wide viewing angle: 120°
- Single and multi-color options
- Low current: 20 mA operation
- Moisture sensitivity level (MSL): 3

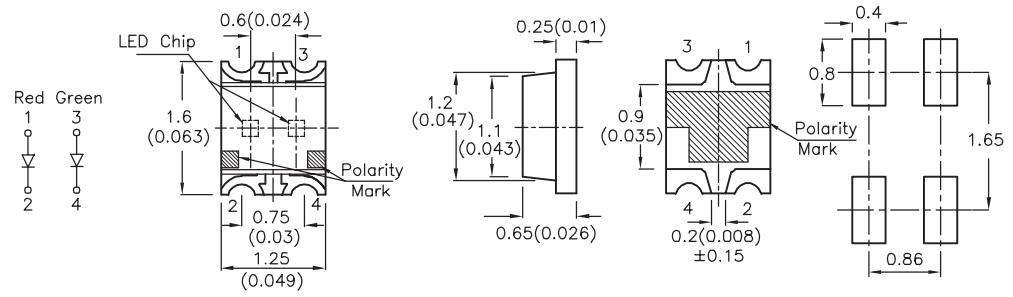
1. Soldering Pattern Dimension Unit : mm, Tolerance : ±0.1mm.
 2. Luminous intensity value and wavelength are in accordance with CIE127-2007 standards.
 3. We reserve the right to make changes at any time to enhance the design and / or performance of the product.

Part Number	Chip Structure (Emitted Color)	λ_{peak} (nm)	Intensity(mcd) $I_f=20mA,5mA^*$		Viewing Angle 2 θ /2	Lens
			Min.	Max.		

1.6x1.25x0.65mm (Bi-Color)




Red Green
1 3
2 4



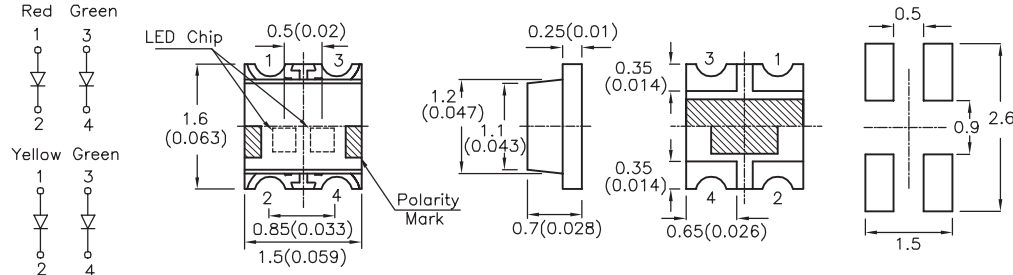
Dimension Unit: mm(inches), Tolerance : $\pm 0.2(0.008)$ Recommended Soldering Pattern

XZMDKVG62W5MAV-1HTA	◆ AlGaInP(Red)	645	15*	30*	150°	Water Clear
	◆ AlGaInP(Green)	574	6*	20*		

1.6x1.5x0.7mm (Bi-Color)



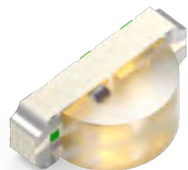
Red Green
1 3
2 4
Yellow Green
1 3
2 4



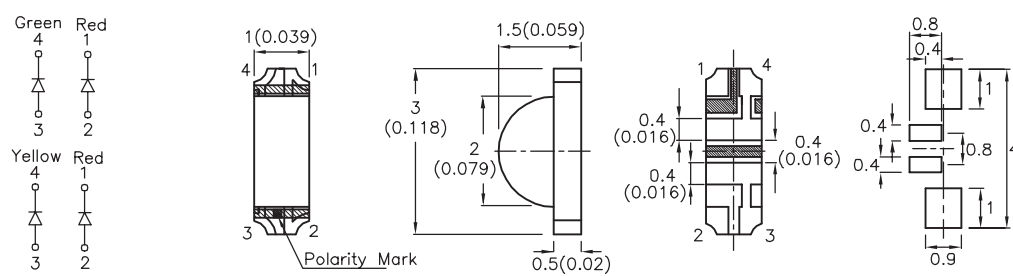
Dimension Unit: mm(inches), Tolerance : $\pm 0.2(0.008)$ Recommended Soldering Pattern

XZMDKVG59W-1HTA	◆ AlGaInP(Red)	645	40	120	150°	Water Clear
	◆ AlGaInP(Green)	574	20	120		
XZMYKVG59W-1HTA	◆ AlGaInP(Yellow)	590	80	300	150°	Water Clear
	◆ AlGaInP(Green)	574	20	120		

3.0x1.5x1.0mm (Right Angle, Bi-Color)




Green Red
4 1
3 2
Yellow Red
4 1
3 2



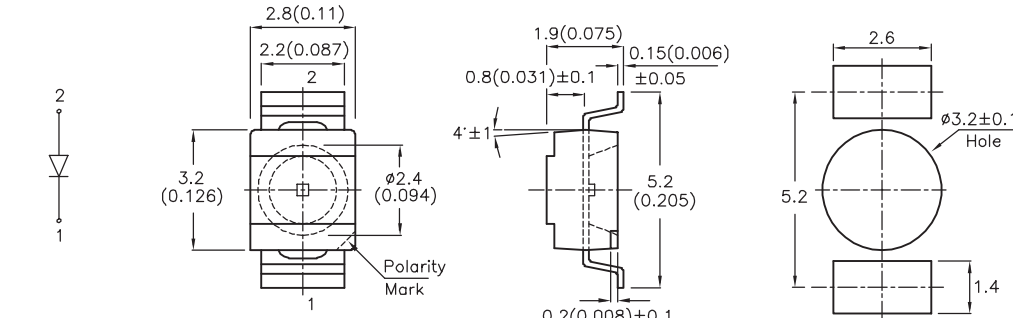
Dimension Unit: mm(inches), Tolerance : $\pm 0.2(0.008)$ Recommended Soldering Pattern

XZMDKVGX56W-HTA	◆ AlGaInP(Red)	645	55	200	150°	Water Clear
	◆ AlGaInP(Green)	574	20	80		
XZMDKMYKX56W-HTA	◆ AlGaInP(Red)	645	55	200	150°	Water Clear
	◆ AlGaInP(Yellow)	590	120	400		

3.2x2.8x1.9mm (PLCC2 Reverse Mount)



2
1



Dimension Unit: mm(inches), Tolerance : $\pm 0.25(0.01)$ Recommended Soldering Pattern

XZYG45WT-9HTA	◆ AlGaInP(Green)	560	12	55	120°	Water Clear
---------------	------------------	-----	----	----	------	-------------

1. Soldering Pattern Dimension Unit : mm, Tolerance : $\pm 0.1mm$.
 2. Luminous intensity value and wavelength are in accordance with CIE127-2007 standards.
 3. We reserve the right to make changes at any time to enhance the design and / or performance of the product.