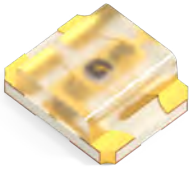
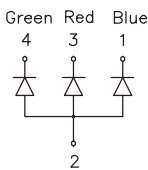
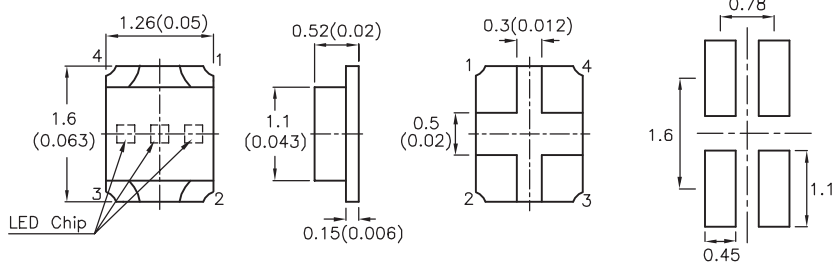





Part Number	Chip Structure (Emitted Color)	λ_{peak} (nm)	Intensity(mcd) $I_f=20mA$		Viewing Angle 2 θ 1/2	Lens
			Min.	Typ.		

1.6x1.26x0.52mm (Full Color)


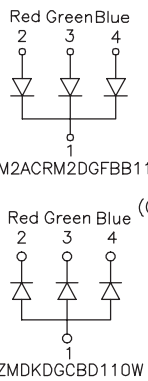
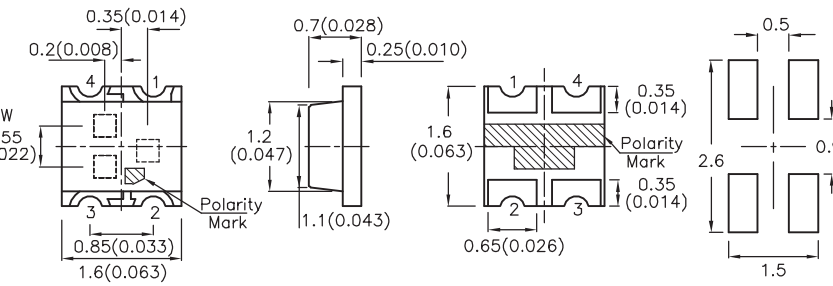




Dimension Unit: mm(inches), Tolerance : $\pm 0.2(0.008)''$

Recommended Soldering Pattern







XZCBMDKDG62W-2	 InGaN(Blue)	460	40	69	140°	Water Clear
	 AlGaInP(Red)	645	40	79		
	 InGaN(Green)	515	400	597		

1.6x1.6x0.7mm (Full Color)


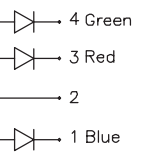
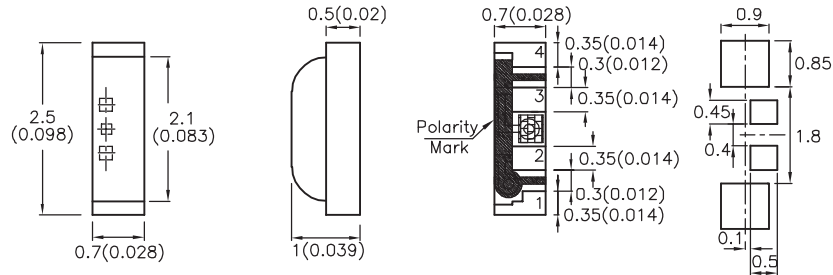




Dimension Unit: mm(inches), Tolerance : $\pm 0.2(0.008)''$

Recommended Soldering Pattern




XZMDKDGCB110W	 AlGaInP(Red)	645	40	79	130°	Water Clear
	 InGaN(Green)	515	300	397		
	 InGaN(Blue)	460	40	69		
XZM2ACRM2DGFBB110W	 AlGaInP(Red)	640	200	357	130°	Water Clear
	 InGaN(Green)	520	500	745		
	 InGaN(Blue)	465	80	138		

2.5x1.0x0.7mm (Right Angle, Full Color)

Dimension Unit: mm(inches), Tolerance : $\pm 0.15(0.006)''$

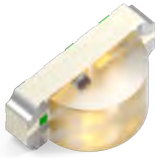
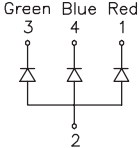
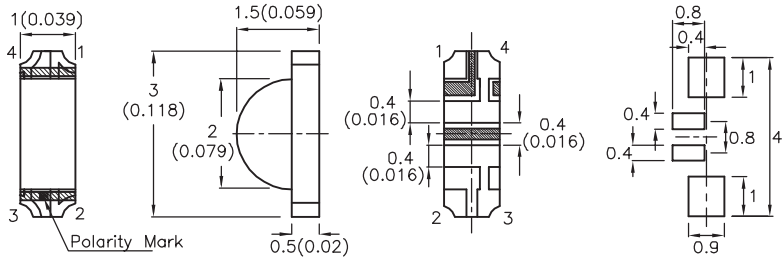
Recommended Soldering Pattern

XZCBDMEDGK161W	 InGaN(Blue)	460	40	64	130°	Water Clear
	 AlGaInP(Red)	630	80	108		
	 InGaN(Green)	515	300	497		

1. Soldering Pattern Dimension Unit : mm, Tolerance : $\pm 0.1mm$.
 2. Luminous intensity value and wavelength are in accordance with CIE127-2007 standards.
 3. We reserve the right to make changes at any time to enhance the design and / or performance of the product.

Part Number	Chip Structure (Emitted Color)	λ_{peak} (nm)	Intensity(mcd) $I_f=20mA$		Viewing Angle 2 θ 1/2	Lens
			Min.	Typ.		

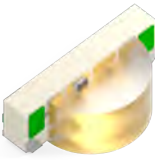
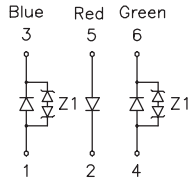
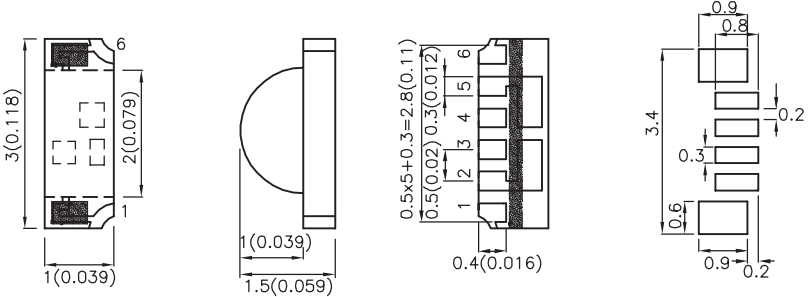
**3.0x1.5x1.0mm
(Right Angle, Full Color)**

Dimension Unit: mm(inches), Tolerance : $\pm 0.2(0.008)$ Recommended Soldering Pattern

XZMEDGCBDS6W	◆ AlGaInP(Red)	630	80	138	150°	Water Clear
	◆ InGaN(Green)	515	300	497		
	◆ InGaN(Blue)	460	40	69		


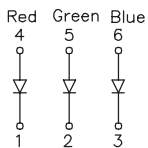
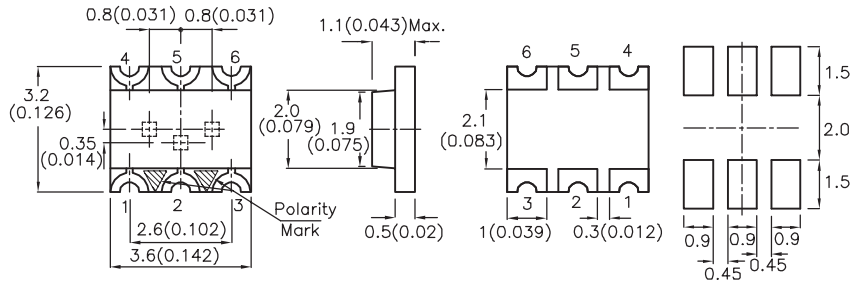
**3.0x1.5x1.0mm
(Right Angle, Full Color)**

Dimension Unit: mm(inches), Tolerance : $\pm 0.2(0.008)$ Recommended Soldering Pattern

XZFBM2CRKM2DGZ157W	◆ InGaN(Blue)	465	80	148	150°	Water Clear
	◆ AlGaInP(Red)	640	200	407		
	◆ InGaN(Green)	520	500	775		

**3.2x3.6x1.1mm
(Full Color)**

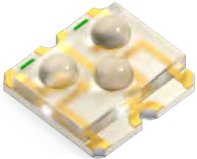
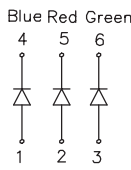
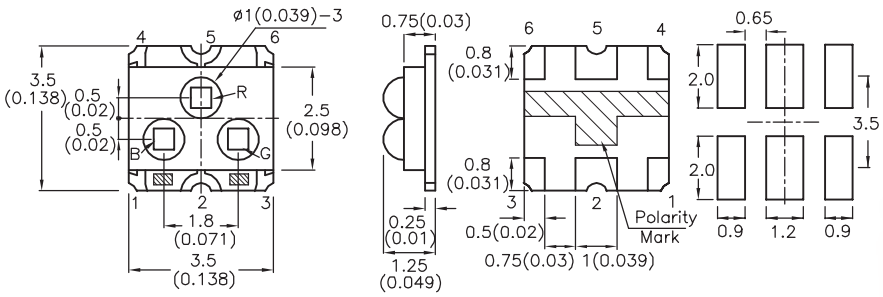
Dimension Unit: mm(inches), Tolerance : $\pm 0.2(0.008)$ Recommended Soldering Pattern

XZMEDGKCBDD1W	◆ AlGaInP(Red)	630	80	138	150°	Water Clear
	◆ InGaN(Green)	515	200	327		
	◆ InGaN(Blue)	460	40	69		

1. Soldering Pattern Dimension Unit : mm, Tolerance : $\pm 0.1mm$.
 2. Luminous intensity value and wavelength are in accordance with CIE127-2007 standards.
 3. We reserve the right to make changes at any time to enhance the design and / or performance of the product.

Part Number	Chip Structure (Emitted Color)	λ_{peak} (nm)	Intensity(mcd) $I_f=20mA$		Viewing Angle 2 θ 1/2	Lens
			Min.	Typ.		

**3.5x3.5x1.25mm
(3-Dome RGB SMD)**


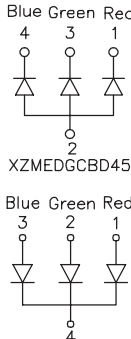
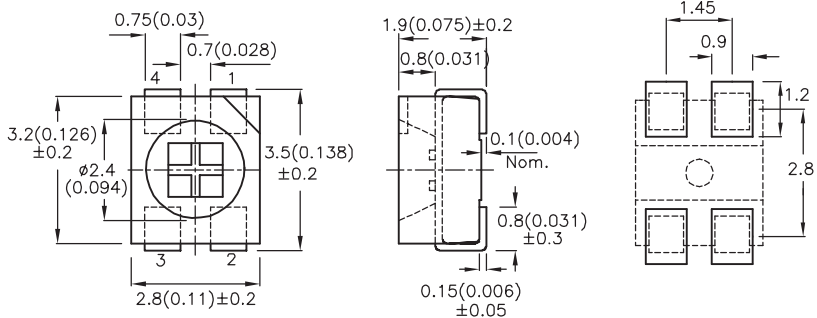




Dimension Unit: mm(inches), Tolerance : $\pm 0.1(0.004)$

XZFBBM2ACRDG92W-3	◆ InGaN(Blue)	465	300	497	50°	Water Clear
		◆ AlGaInP(Red)	640	1000		
	◆ InGaN(Green)	520	1300	1890		

Recommended Soldering Pattern

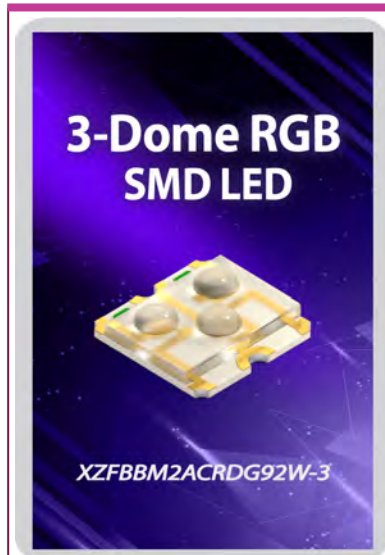
**3.5x2.8x1.9mm
(PLCC4 Full Color)**

Dimension Unit: mm(inches), Tolerance: $\pm 0.25mm$ (0.01")

XZMEDGCB45S	◆ AlGaInP(Red)	630	120	218	120°	Water Clear
	◆ InGaN(Green)	515	400	497		
	◆ InGaN(Blue)	460	55	98		
XZM2CRKM2DGFBB45SCCB	◆ AlGaInP(Red)	640	400	497	120°	Water Clear
	◆ InGaN(Green)	520	1000	1590		
	◆ InGaN(Blue)	465	200	327		

Recommended Soldering Pattern



XZFBBM2ACRDG92W-3 - 3-Dome RGB SMD LED

PRODUCT HIGHLIGHT

SunLED's state-of-the-art 3-dome RGB SMD LED features a single package with optics that focus the light output from all three dies individually and in an RGB LED. This LED package leverages domed optical technology to concentrate light for each of the red, green, and blue chips to optimize intensity in a narrow viewing angle.

SunLED specializes in performance-driven, robust LED packages. With an extensive product offering of LED packages, SunLED manufactures with careful attention to detail and rigorous quality control. SunLED is committed to supporting new engineering designs with the first true RGB-domed package, the 3-dome RGB LED.

PRODUCT APPLICATIONS

- Light pipe applications
- Icon and text backlighting
- Consumer electronics
- Handheld products
- Home automation
- Safety and security
- White goods
- Audio and video
- Medical and healthcare

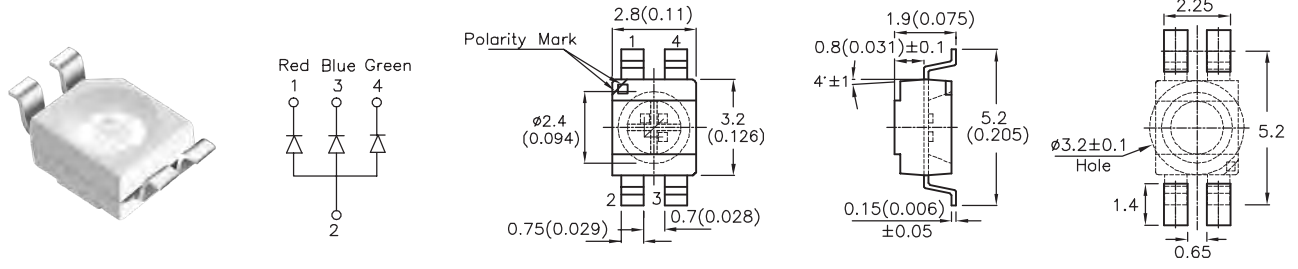
PRODUCT FEATURES

- Full color 3-dome optics in a single RGB package
- Higher intensity and narrow viewing angle
- Prevents light bleeding
- 3.5 mm x 3.5 mm footprint
- Low current: 20 mA operation
- Moisture sensitivity level (MSL): 3

1. Soldering Pattern Dimension Unit : mm, Tolerance : $\pm 0.1mm$.
 2. Luminous intensity value and wavelength are in accordance with CIE127-2007 standards.
 3. We reserve the right to make changes at any time to enhance the design and / or performance of the product.

Part Number	Chip Structure (Emitted Color)	λ_{peak} (nm)	Intensity(mcd) $I_f=20mA$		Viewing Angle 2 θ 1/2	Lens
			Min.	Typ.		

**3.2x2.8x1.9mm
(Reverse Mount, Full Color)**



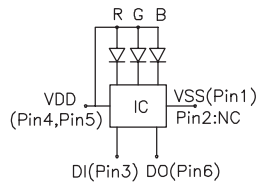
Dimension Unit: mm(inches), Tolerance : $\pm 0.2(0.008)$ "

Recommended Soldering Pattern

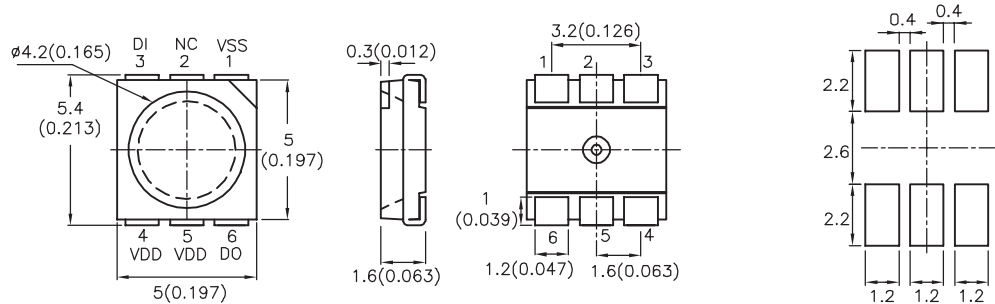
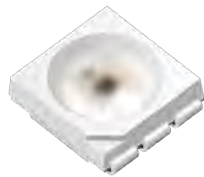
XZMDKCBDDG45S-9	◆ AlGaInP(Red)	645	55	108	120°	Water Clear
	◆ InGaN(Blue)	460	55	98		
	◆ InGaN(Green)	515	400	497		

Part Number	Chip Structure (Emitted Color)	λ_{peak} (nm)	Iv (mcd) @ VDD = 5V, Gray Scale Level = 255		Viewing Angle 2 θ 1/2	Lens
			Min.	Typ.		

**5.0x5.0x1.6mm
(Full Color)**



PIN FUNCTION		
No.	Symbol	Function Description
1	VSS	Ground
2	NC	/
3	DI	Control data signal input
4	VDD	Power supply LED
5	VDD	Power supply LED
6	DO	Control data signal output



Dimension Unit: mm(inches), Tolerance : $\pm 0.2(0.008)$ "

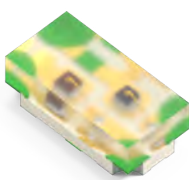
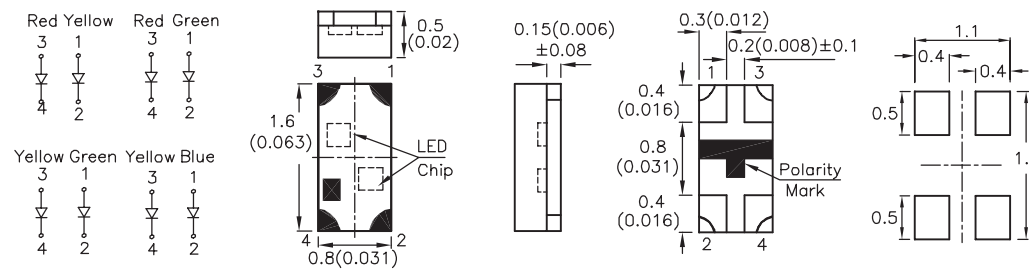
Recommended Soldering Pattern

XZM2CRKDGGKBD107S-IC	◆ AlGaInP(Red)	640	200	357	120°	Water Clear
	◆ InGaN(Green)	515	400	597		
	◆ InGaN(Blue)	460	80	148		

1. Soldering Pattern Dimension Unit : mm, Tolerance : $\pm 0.1mm$.
 2. Luminous intensity value and wavelength are in accordance with CIE127-2007 standards.
 3. We reserve the right to make changes at any time to enhance the design and / or performance of the product.

Part Number	Chip Structure (Emitted Color)	λ_{peak} (nm)	Intensity(mcd) $I_f=20mA$		Viewing Angle 2 θ 1/2	Lens
			Min.	Typ.		

1.6x0.8x0.5mm (0603 Bi-Color)

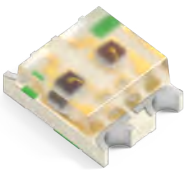
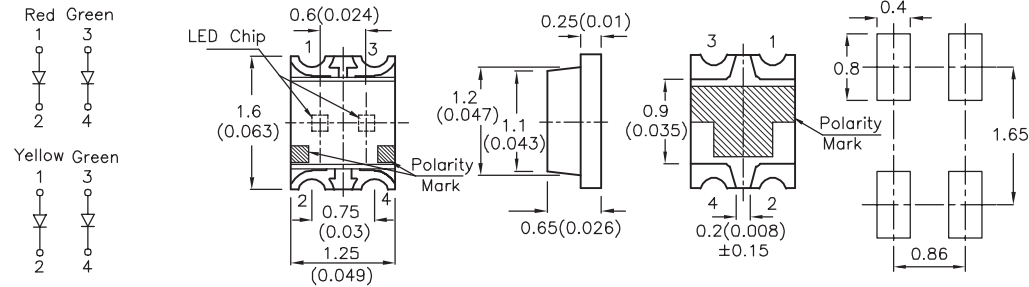
Red Yellow Red Green
3 1 3 1
4 2 4 2

Yellow Green Yellow Blue
3 1 3 1
4 2 4 2

Dimension Unit: mm(inches), Tolerance : $\pm 0.15(0.006")$

Part Number	Chip Structure	λ_{peak} (nm)	Min. Intensity (mcd)	Typ. Intensity (mcd)	Viewing Angle	Lens
XZMYKMDK53W-9	AlGaInP(Yellow)	590	80	148	130°	Water Clear
	AlGaInP(Red)	645	40	89		
XZDGKMDK53W-9	InGaIn(Green)	515	200	347	130°	Water Clear
	AlGaInP(Red)	645	40	89		
XZVGMKY53W-9	AlGaInP(Green)	574	20	49	130°	Water Clear
	AlGaInP(Yellow)	590	80	148		
XZVGM53W-9	AlGaInP(Green)	574	20	49	130°	Water Clear
	AlGaInP(Red)	645	40	89		
	AlGaInP(Yellow)	590	80	148		
XZCBDMKY53W-9	InGaIn(Blue)	460	40	69	130°	Water Clear

1.6x1.25x0.65mm (Bi-Color)

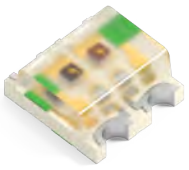
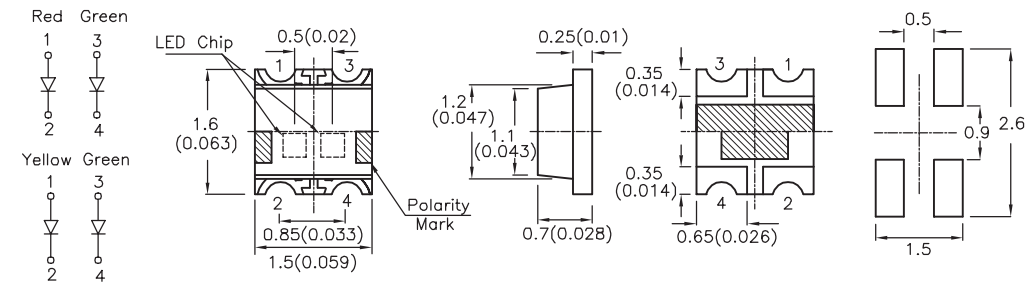
Red Green
1 3
2 4

Yellow Green
1 3
2 4

Dimension Unit: mm(inches), Tolerance : $\pm 0.2(0.008")$

Part Number	Chip Structure	λ_{peak} (nm)	Min. Intensity (mcd)	Typ. Intensity (mcd)	Viewing Angle	Lens
XZMDKVG62W-1	AlGaInP(Red)	645	40	79	150°	Water Clear
	AlGaInP(Green)	574	20	49		
XZMYKVG62W-1	AlGaInP(Yellow)	590	80	118	150°	Water Clear
	AlGaInP(Green)	574	20	49		

1.6x1.5x0.7mm (Bi-Color)

Red Green
1 3
2 4

Yellow Green
1 3
2 4


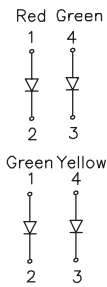
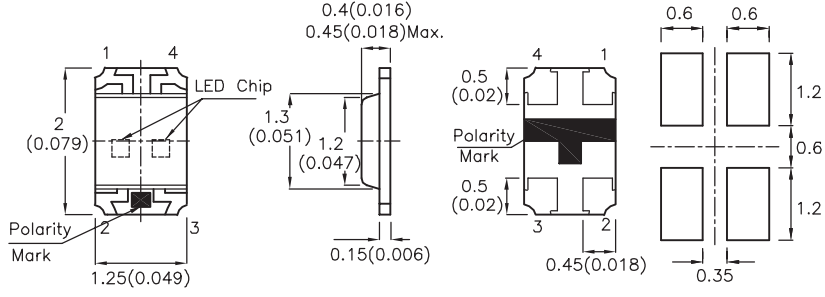
Dimension Unit: mm(inches), Tolerance : $\pm 0.2(0.008")$

Part Number	Chip Structure	λ_{peak} (nm)	Min. Intensity (mcd)	Typ. Intensity (mcd)	Viewing Angle	Lens
XZMDKVG59W-1	AlGaInP(Red)	645	40	79	150°	Water Clear
	AlGaInP(Green)	574	20	49		
XZMYKVG59W-1	AlGaInP(Yellow)	590	80	118	150°	Water Clear
	AlGaInP(Green)	574	20	49		

1. Soldering Pattern Dimension Unit : mm, Tolerance : $\pm 0.1mm$.
 2. Luminous intensity value and wavelength are in accordance with CIE127-2007 standards.
 3. We reserve the right to make changes at any time to enhance the design and / or performance of the product.

Part Number	Chip Structure (Emitted Color)	λ_{peak} (nm)	Intensity(mcd) $I_f=20mA$		Viewing Angle 2 θ 1/2	Lens
			Min.	Typ.		

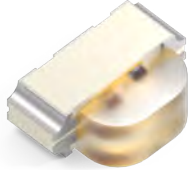
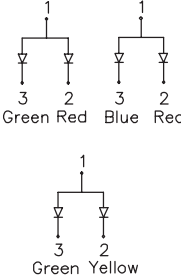
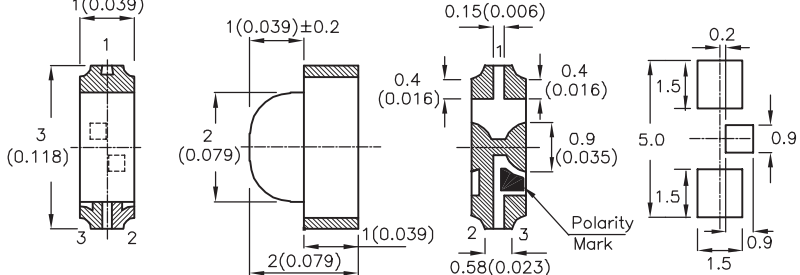
2.0x1.25x0.45mm (0805 Bi-Color)

Dimension Unit: mm(inches), Tolerance : $\pm 0.1(0.004)$

Part Number	Chip Structure (Emitted Color)	λ_{peak} (nm)	Min.	Typ.	Viewing Angle	Lens
XZMDKDGK54W-4	<ul style="list-style-type: none"> AlGaInP(Red) InGaN(Green) 	645	40	79	120°	Water Clear
XZVGMYS4W-4	<ul style="list-style-type: none"> AlGaInP(Green) AlGaInP(Yellow) 	574	80	118	120°	Water Clear

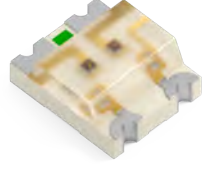
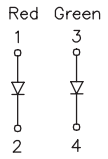
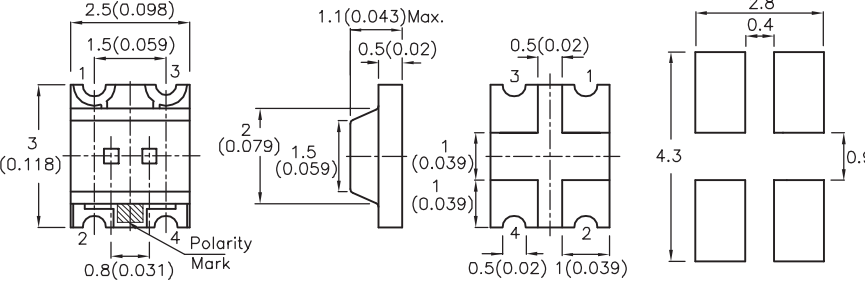
3.0x2.0x1.0mm (Right Angle, Bi-Color)

Dimension Unit: mm(inches), Tolerance : $\pm 0.15(0.006)$

Part Number	Chip Structure (Emitted Color)	λ_{peak} (nm)	Min.	Typ.	Viewing Angle	Lens
XZMDKCBDS6W	<ul style="list-style-type: none"> AlGaInP(Red) InGaN(Blue) 	645	40	79	140°	Water Clear
XZMYKVG56W	<ul style="list-style-type: none"> AlGaInP(Yellow) AlGaInP(Green) 	590	80	118	140°	Water Clear

3.0x2.5x1.1mm (Bi-Color)

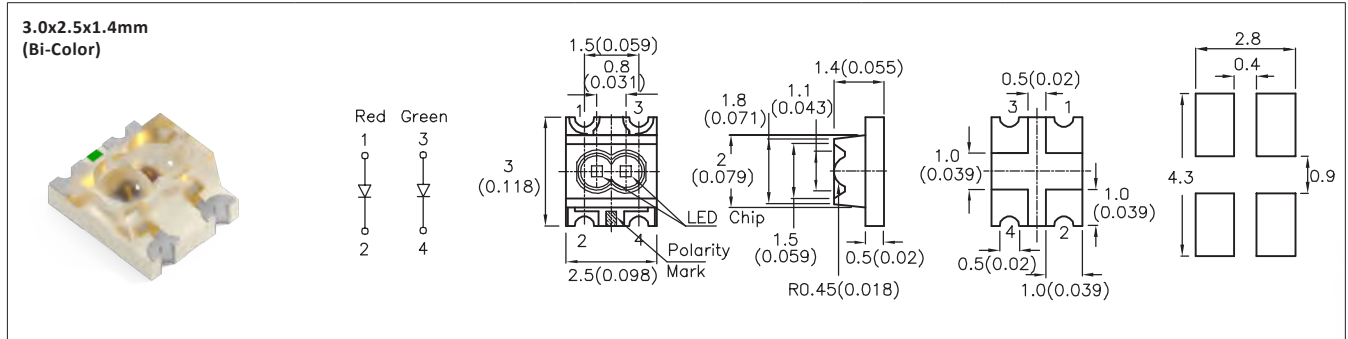
Dimension Unit: mm(inches), Tolerance : $\pm 0.2(0.008)$

Part Number	Chip Structure (Emitted Color)	λ_{peak} (nm)	Min.	Typ.	Viewing Angle	Lens



1. Soldering Pattern Dimension Unit : mm, Tolerance : $\pm 0.1mm$.
 2. Luminous intensity value and wavelength are in accordance with CIE127-2007 standards.
 3. We reserve the right to make changes at any time to enhance the design and / or performance of the product.

Part Number	Chip Structure (Emitted Color)	λ_{peak} (nm)	Intensity(mcd) $I_f=20mA$		Viewing Angle 2 θ 1/2	Lens
			Min.	Typ.		

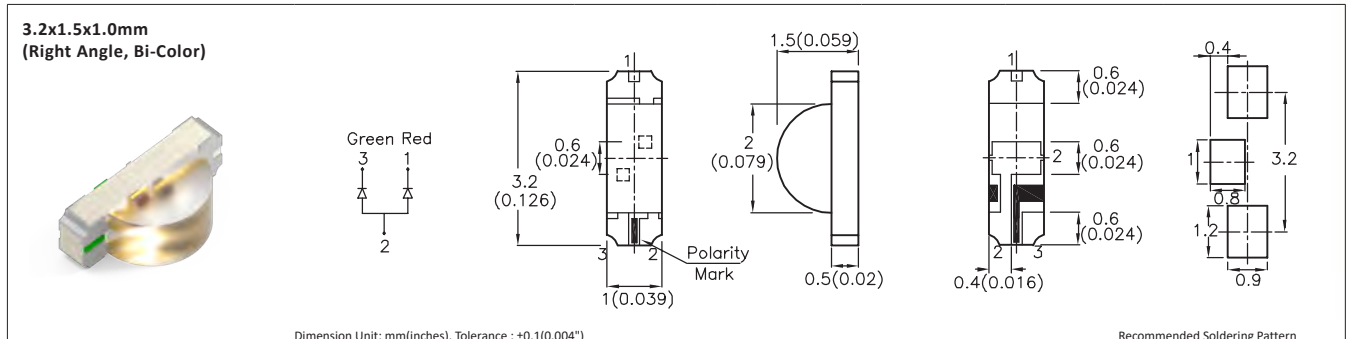
3.0x2.5x1.4mm (Bi-Color)



Dimension Unit: mm(inches), Tolerance : $\pm 0.2(0.008)^*$ Recommended Soldering Pattern

XZMDKVG57W-1	 AlGaInP(Red)	645	120	297	50°	Water Clear
	 AlGaInP(Green)	574	80	148		

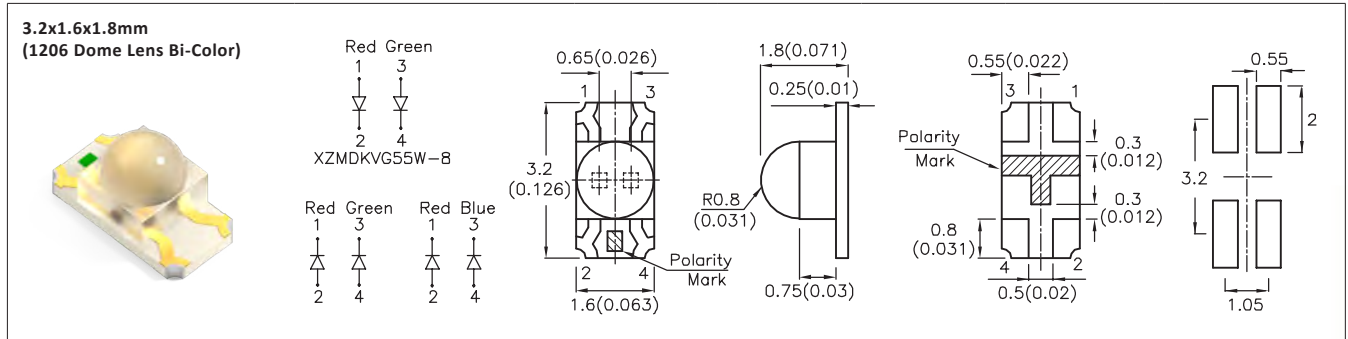
3.2x1.5x1.0mm (Right Angle, Bi-Color)









Dimension Unit: mm(inches), Tolerance : $\pm 0.1(0.004)^*$ Recommended Soldering Pattern

XZMDKVG88W	 AlGaInP(Red)	645	40	79	140°	Water Clear
	 AlGaInP(Green)	574	40	69		

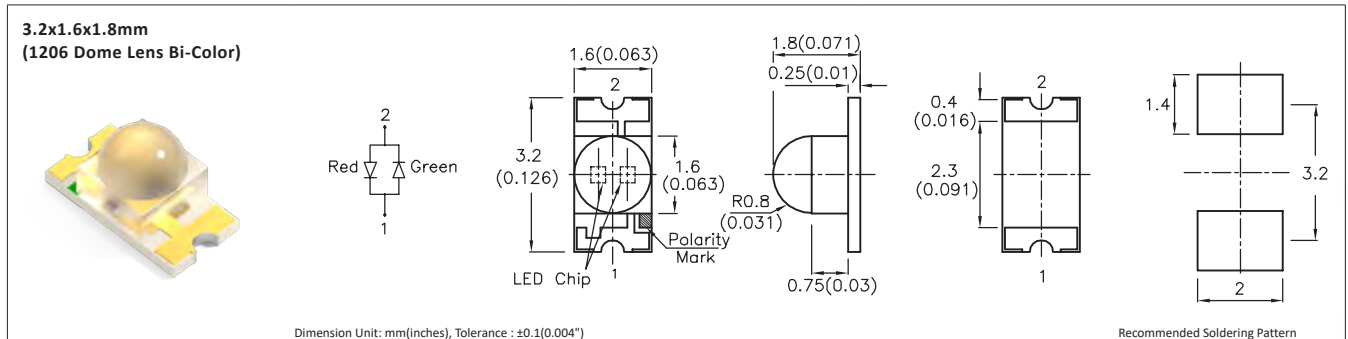
3.2x1.6x1.8mm (1206 Dome Lens Bi-Color)




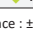
Dimension Unit: mm(inches), Tolerance : $\pm 0.2(0.008)^*$ Recommended Soldering Pattern

XZMDKVG55W-8	 AlGaInP(Red)	645	300	597	30°	Water Clear
	 AlGaInP(Green)	574	120	248		
XZM2CRKM2DG55W-8	 AlGaInP(Red)	640	700	1295	30°	Water Clear
	 InGaN(Green)	520	700	1295		
XZM2CRKFBB55W-8	 AlGaInP(Red)	640	700	1295	30°	Water Clear
	 InGaN(Blue)	465	120	278		

3.2x1.6x1.8mm (1206 Dome Lens Bi-Color)




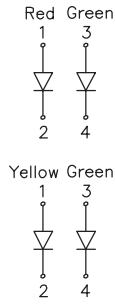
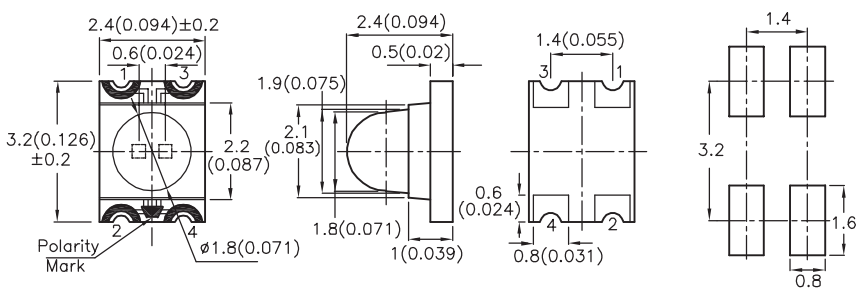
Dimension Unit: mm(inches), Tolerance : $\pm 0.1(0.004)^*$ Recommended Soldering Pattern

XZMDKVG55W-7	 AlGaInP(Red)	645	300	597	30°	Water Clear
	 AlGaInP(Green)	574	120	248		

1. Soldering Pattern Dimension Unit : mm, Tolerance : $\pm 0.1mm$.
 2. Luminous intensity value and wavelength are in accordance with CIE127-2007 standards.
 3. We reserve the right to make changes at any time to enhance the design and / or performance of the product.

Part Number	Chip Structure (Emitted Color)	λ_{peak} (nm)	Intensity(mcd) $I_f=20mA$		Viewing Angle 2 θ 1/2	Lens
			Min.	Typ.		


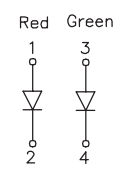
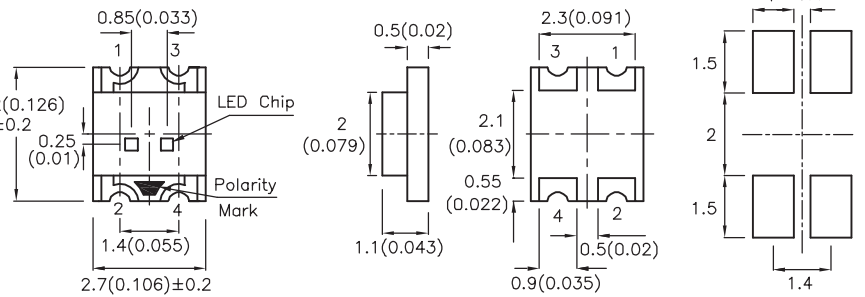
3.2x2.4x2.4mm (Dome Lens Bi-Color)

Dimension Unit: mm(inches), Tolerance : $\pm 0.1(0.004)$ Recommended Soldering Pattern

XZMDKVG78W	◆ AlGaInP(Red)	645	120	397	20°	Water Clear
	◆ AlGaInP(Green)	574	80	278		
XZMYKVG78W	◆ AlGaInP(Yellow)	590	400	795	20°	Water Clear
	◆ AlGaInP(Green)	574	80	278		


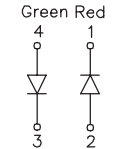
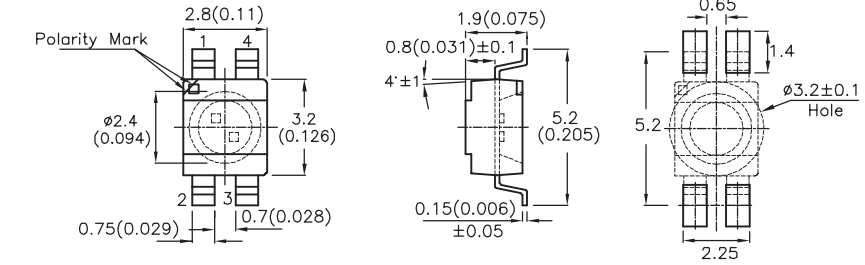
3.2x2.7x1.1mm (Bi-Color)

Dimension Unit: mm(inches), Tolerance : $\pm 0.1(0.004)$ Recommended Soldering Pattern

XZMDKVG98W	◆ AlGaInP(Red)	645	40	79	140°	Water Clear
	◆ AlGaInP(Green)	574	20	54		

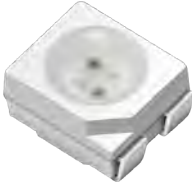
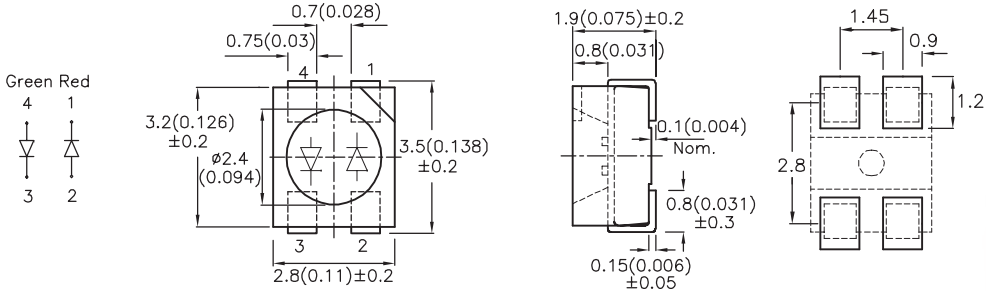
3.2x2.8x1.9mm (PLCC4 Reverse Mount Bi-Color)

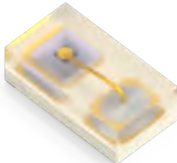
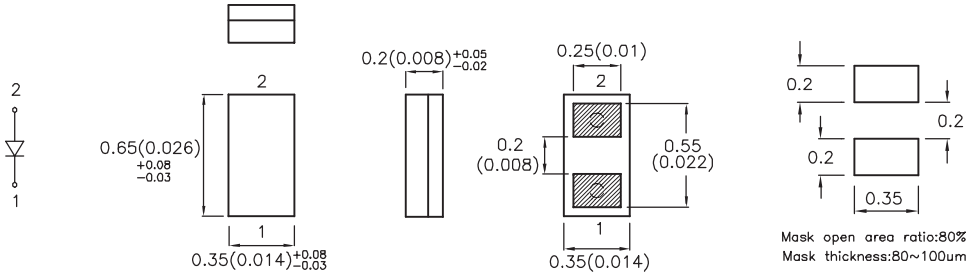
Dimension Unit: mm(inches), Tolerance: $\pm 0.2(0.008)$ Recommended Soldering Pattern

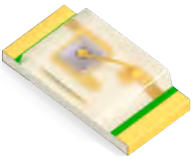
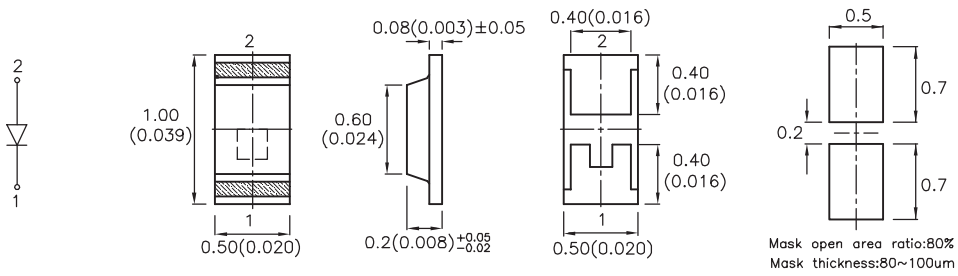
XZMDKVG45WT-9	◆ AlGaInP(Red)	645	55	98	120°	Water Clear
	◆ AlGaInP(Green)	574	40	79		

1. Soldering Pattern Dimension Unit : mm, Tolerance : $\pm 0.1mm$.
 2. Luminous intensity value and wavelength are in accordance with CIE127-2007 standards.
 3. We reserve the right to make changes at any time to enhance the design and / or performance of the product.

Part Number	Chip Structure (Emitted Color)	λ_{peak} (nm)	Intensity(mcd) $I_f=20mA$		Viewing Angle 2 θ 1/2	Lens
			Min.	Typ.		
3.5x2.8x1.9mm (PLCC4 Bi-Color)   <p>Green Red 4 1 3 2</p> <p>Dimension Unit: mm(inches), Tolerance : $\pm 0.25(0.01")$</p>						
XZMDKVG45WT	<ul style="list-style-type: none"> ◆ AlGaInP(Red) ◆ AlGaInP(Green) 	645 574	55 40	98 79	120°	Water Clear

TOP EMITTING

Part Number	Chip Structure (Emitted Color)	λ_{peak} (nm)	Intensity(mcd) $I_f=20mA, 10mA, 5mA^{**}$		Viewing Angle 2 θ 1/2	Lens
			Min.	Typ.		
0.65x0.35x0.2mm (0201 Super Thin)   <p>2 1</p> <p>Mask open area ratio:80% Mask thickness:80~100um</p> <p>Dimension Unit: mm(inches), Tolerance : $\pm 0.1(0.004")$</p>						
XZMDR155W	◆ AlGaInP(Red)	639	10*	34*	140°	Water Clear
XZMER155W	◆ AlGaInP(Red)	632	15*	39*	140°	Water Clear
XZMYR155W	◆ AlGaInP(Yellow)	591	10*	29*	140°	Water Clear
XZVGR155W	◆ AlGaInP(Green)	572	6*	14*	140°	Water Clear
XZDG155W5MAV	◆ InGaN(Green)	515	180**	278**	140°	Water Clear
XZFBA155W5MAV	◆ InGaN(Blue)	463	30**	59**	140°	Water Clear

Part Number	Chip Structure (Emitted Color)	λ_{peak} (nm)	Intensity(mcd) $I_f=20mA, 10mA, 5mA^{**}$		Viewing Angle 2 θ 1/2	Lens
			Min.	Typ.		
1.0x0.5x0.2mm (0402 Super Thin)   <p>2 1</p> <p>Mask open area ratio:80% Mask thickness:80~100um</p> <p>Dimension Unit: mm(inches), Tolerance : $\pm 0.1(0.004")$</p>						
XZMER68W-3	◆ AlGaInP(Red)	632	40	79	120°	Water Clear
XZMYR68W-3	◆ AlGaInP(Yellow)	591	55	98	120°	Water Clear
XZVGR68W-3	◆ AlGaInP(Green)	572	12	34	120°	Water Clear
XZDG68W5MAV-3	◆ InGaN(Green)	515	120**	278**	140°	Water Clear
XZFBA68W5MAV-3	◆ InGaN(Blue)	463	20**	59**	140°	Water Clear

1. Soldering Pattern Dimension Unit : mm, Tolerance : $\pm 0.1mm$.
 2. Luminous intensity value and wavelength are in accordance with CIE127-2007 standards.
 3. We reserve the right to make changes at any time to enhance the design and / or performance of the product.