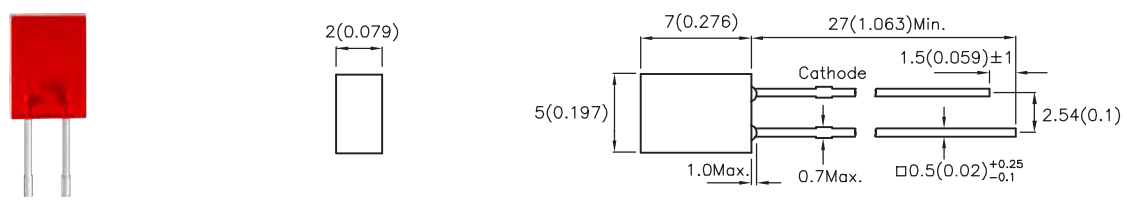


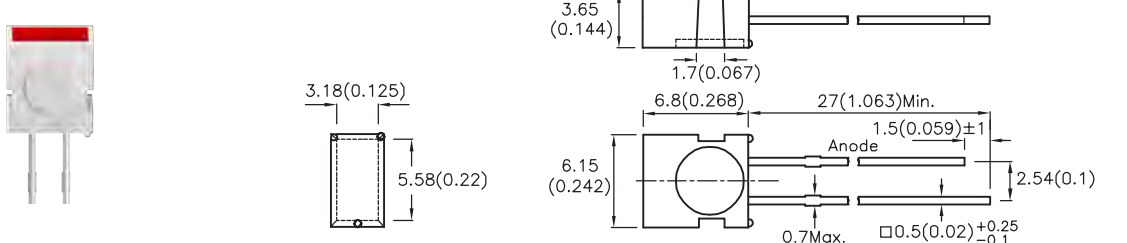
Part Number	Chip Structure (Emitted Color)	λ_{peak} (nm)	Intensity(mcd) $I_f=20mA$		Viewing Angle 2 θ 1/2	Lens
			Min.	Typ.		

2x5mm



XSMKD18D	◆ AlGaInP(Red)	645	25	49	140°	Red Diffused
XSMYK18D	◆ AlGaInP(Yellow)	590	70	118	140°	Yellow Diffused
XSVG18D	◆ AlGaInP(Green)	574	10	29	140°	Green Diffused

3.65x6.15mm

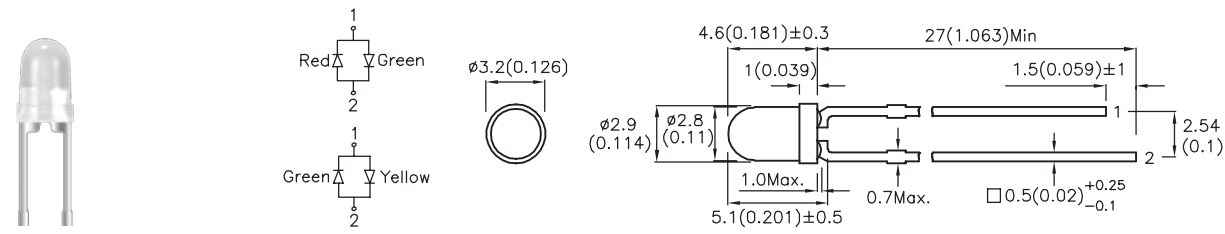


XEMDK21D	◆ AlGaInP(Red)	645	30	59	140°	Red Diffused
----------	----------------	-----	----	----	------	--------------

BI-COLOR & BI-POLAR

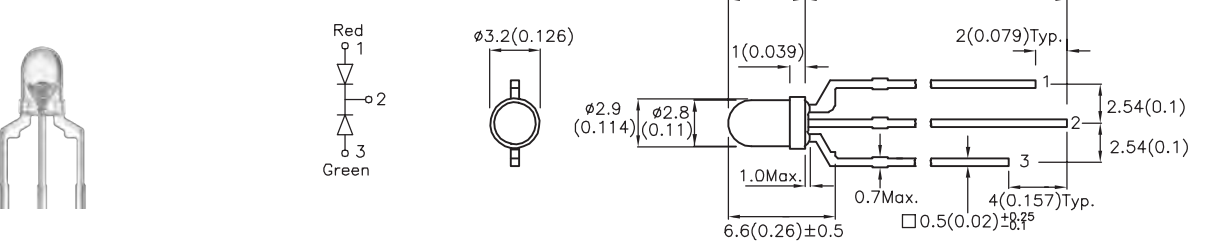
Part Number	Chip Structure (Emitted Color)	λ_{peak} (nm)	Intensity(mcd) $I_f=20mA$		Viewing Angle 2 θ 1/2	Lens
			Min.	Typ.		

3mm Round



XLMDKVG37M	◆ AlGaInP(Red)	645	55	108	60°	White Diffused
	◆ AlGaInP(Green)	574	40	79		
XLVGMVK37M	◆ AlGaInP(Green)	574	40	79	60°	White Diffused
	◆ AlGaInP(Yellow)	590	80	228		

3mm Round



XLMDKVG38W	◆ AlGaInP(Red)	645	350	795	30°	Water Clear
	◆ AlGaInP(Green)	574	300	497		

1. Dimension Unit: mm(inches), Tolerance: $\pm 0.25mm$ (0.01").
 2. Luminous intensity value and wavelength are in accordance with CIE127-2007 standards.
 3. We reserve the right to make changes at any time to enhance the design and / or performance of the product.