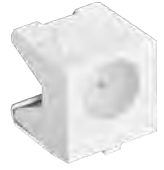
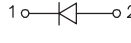
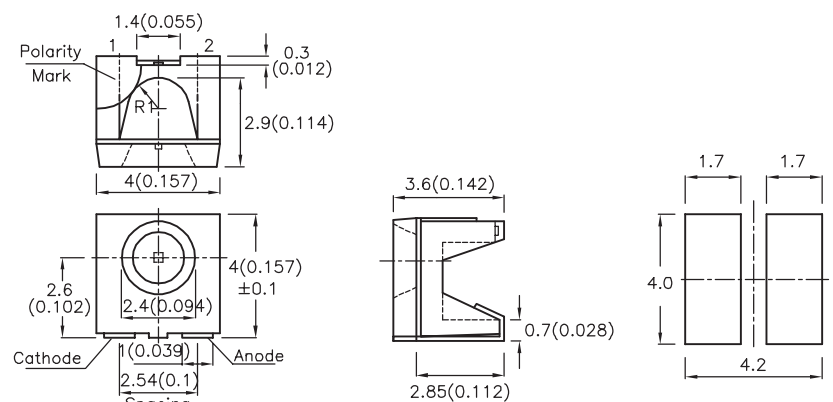


Part Number	Chip Structure (Emitted Color)	$\lambda_{peak}$ (nm)	Intensity(mcd) $I_f=20mA$		Viewing Angle 2 $\theta$ 1/2	Lens
			Min.	Typ.		

**4.0x4.0x3.6mm (PLCC Right Angle)**

Dimension Unit: mm(inches), Tolerance :  $\pm 0.25(0.01^*)$

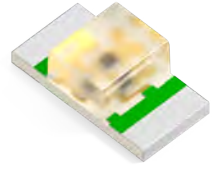

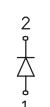
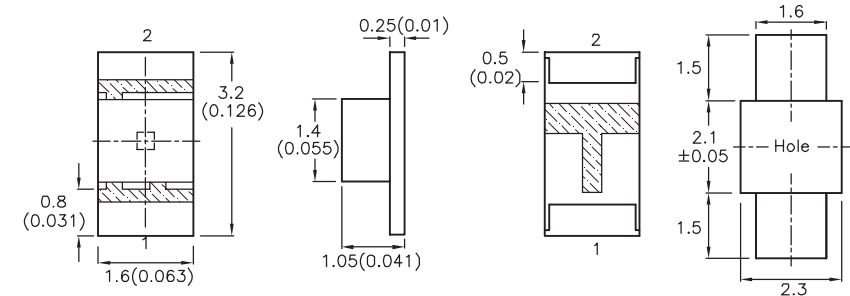
Recommended Soldering Pattern

XZMDK67S	◆ AlGaInP(Red)	645	80	148	120°	Water Clear
XZVG67WT	◆ AlGaInP(Green)	574	40	89	120°	Water Clear
XZM2DG67WT	◆ InGaN(Green)	520	1000	1395	120°	Water Clear
XZDG67S	◆ InGaN(Green)	515	500	795	120°	Water Clear
XZCBD67S	◆ InGaN(Blue)	460	80	218	120°	Water Clear

REVERSE MOUNT

Part Number	Chip Structure (Emitted Color)	$\lambda_{peak}$ (nm)	Intensity(mcd) $I_f=20mA$		Viewing Angle 2 $\theta$ 1/2	Lens
			Min.	Typ.		

**3.2x1.6x1.05mm (1206 Reverse Mount)**

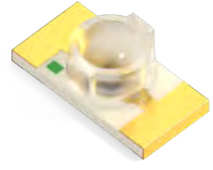
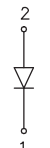
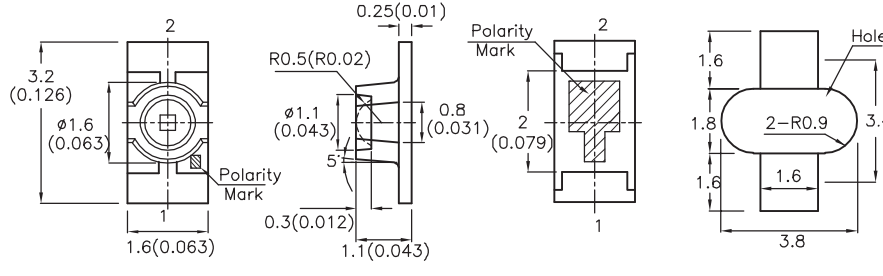





Dimension Unit: mm(inches), Tolerance :  $\pm 0.2(0.008^*)$

Recommended Soldering Pattern

XZMDK55W-2	◆ AlGaInP(Red)	645	40	79	140°	Water Clear
XZM2CRK55W-2	◆ AlGaInP(Red)	640	200	347	140°	Water Clear
XZMYK55W-2	◆ AlGaInP(Yellow)	590	80	148	140°	Water Clear
XZVG55W-2	◆ AlGaInP(Green)	574	20	49	140°	Water Clear
XZDGK55W-2	◆ InGaN(Green)	515	300	547	140°	Water Clear
XZCBD55W-2	◆ InGaN(Blue)	460	40	98	140°	Water Clear

**3.2x1.6x1.1mm (1206 Inner Dome Lens Reverse Mount)**

Dimension Unit: mm(inches), Tolerance :  $\pm 0.1(0.004^*)$

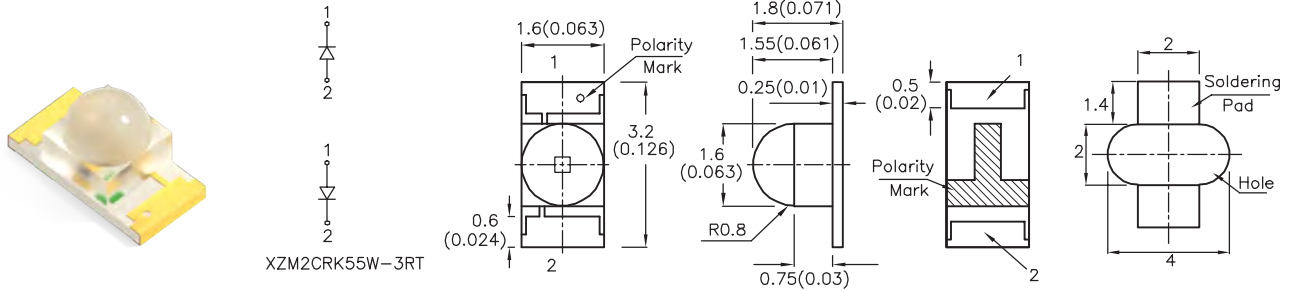
Recommended Soldering Pattern

XZMDK55W-A2RT	◆ AlGaInP(Red)	645	120	228	80°	Water Clear
XZMYK55W-A2RT	◆ AlGaInP(Yellow)	590	200	347	80°	Water Clear
XZVG55W-A2RT	◆ AlGaInP(Green)	574	55	98	80°	Water Clear
XZCBD55W-A2RT	◆ InGaN(Blue)	460	120	248	80°	Water Clear

1. Soldering Pattern Dimension Unit : mm, Tolerance :  $\pm 0.1mm$ .  
 2. Luminous intensity value and wavelength are in accordance with CIE127-2007 standards.  
 3. We reserve the right to make changes at any time to enhance the design and / or performance of the product.

Part Number	Chip Structure (Emitted Color)	$\lambda_{peak}$ (nm)	Intensity(mcd) $I_f=20mA$		Viewing Angle 2 $\theta$ /2	Lens
			Min.	Typ.		

**3.2x1.6x1.8mm  
(1206 Dome Lens Reverse Mount)**

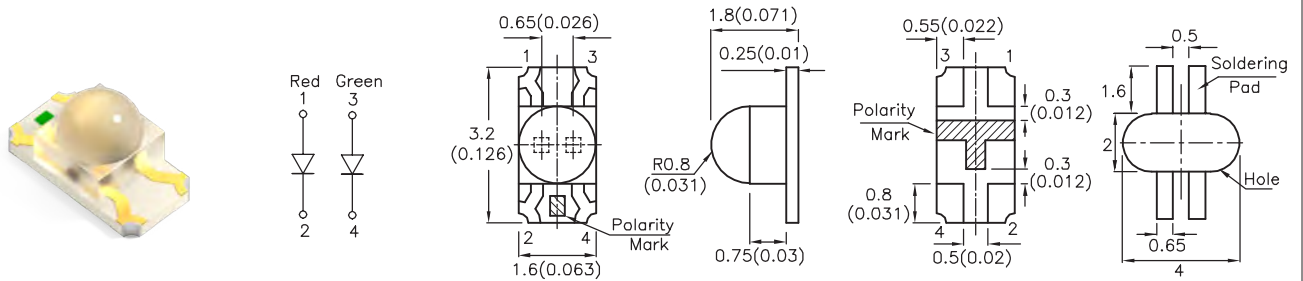


Dimension Unit: mm(inches), Tolerance :  $\pm 0.2(0.008)$ "

Recommended Soldering Pattern

XZMDK55W-3RT	◆ AlGaInP(Red)	645	300	795	40°	Water Clear
XZM2CRK55W-3RT	◆ AlGaInP(Red)	640	1600	2490	40°	Water Clear
XZMYK55W-3RT	◆ AlGaInP(Yellow)	590	700	795	40°	Water Clear
XZVG55W-3RT	◆ AlGaInP(Green)	574	120	297	40°	Water Clear
XZDGGK55W-3RT	◆ InGaN(Green)	515	2700	3990	30°	Water Clear

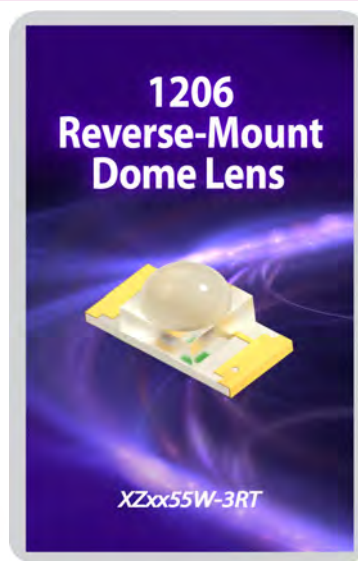
**3.2x1.6x1.8mm  
(1206 Dome Lens Reverse Mount Bi-Color)**



Dimension Unit: mm(inches), Tolerance :  $\pm 0.2(0.008)$ "

Recommended Soldering Pattern

XZMDKDGK55W-8RT	◆ AlGaInP(Red)	645	300	597	30°	Water Clear
	◆ InGaN(Green)	515	400	647		



**XZxx55W-3RT Series - Reverse-Mount Dome Lens SMD LEDs** PRODUCT HIGHLIGHT

SunLED's XZxx55W-3RT series SMD LEDs utilize an industry-standard 1206 footprint paired with a dome lens for high intensity and narrow viewing angle output. This series comes in a reverse mount package style. The XZxx55W-3RT series is an ideal choice for any applications where light bleeding is a challenge or component height restrictions are an issue. Applications include electric vehicle (EV) charging units/couplers, medical and healthcare devices, enterprise solutions, robotics/IoT devices, and many others.

**PRODUCT APPLICATIONS**

- Wearable electronics
- EV charging units/couplers
- Medical and healthcare devices
- Instrumentation devices
- Safety and security
- Enterprise solutions
- Robotics/IoT


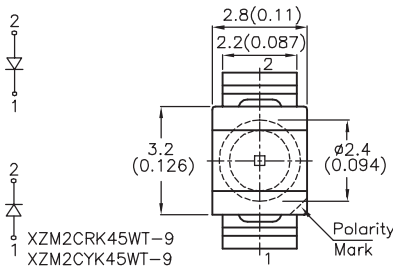
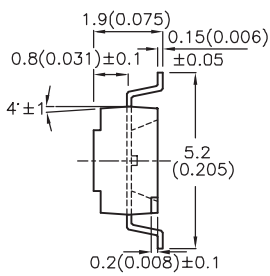
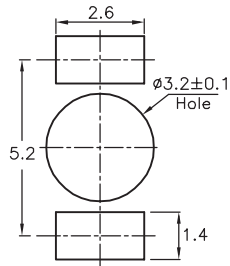
**PRODUCT FEATURES**

- Narrow viewing angle: 30° to 40°
- Reverse mount package style
- High-intensity output
- Industry-standard 1206 footprint: 3.2 mm x 1.6 mm x 1.8 mm (L x W x H)
- Moisture sensitivity level (MSL): 3

1. Soldering Pattern Dimension Unit : mm, Tolerance :  $\pm 0.1mm$ .  
 2. Luminous intensity value and wavelength are in accordance with CIE127-2007 standards.  
 3. We reserve the right to make changes at any time to enhance the design and / or performance of the product.

Part Number	Chip Structure (Emitted Color)	$\lambda_{peak}$ (nm)	Intensity(mcd) $I_f=20mA$		Viewing Angle 2 $\theta$ 1/2	Lens
			Min.	Typ.		

**3.2x2.8x1.9mm (PLCC Reverse Mount)**

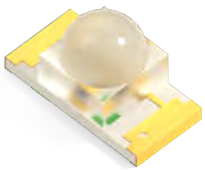
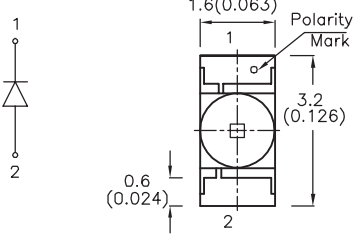
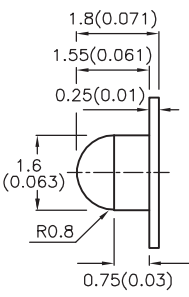
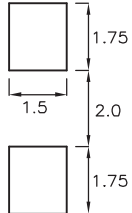
Dimension Unit: mm(inches), Tolerance : ±0.25(0.01")

XZMDK45WT-9	AlGaInP(Red)	645	55	98	120°	Water Clear
XZM2CRK45WT-9	AlGaInP(Red)	640	300	447	120°	Water Clear
XZMYK45WT-9	AlGaInP(Yellow)	590	120	248	120°	Water Clear
XZM2CYK45WT-9	AlGaInP(Yellow)	590	400	597	120°	Water Clear
XZVG45WT-9	AlGaInP(Green)	574	40	98	120°	Water Clear
XZM2DG45WT-9	InGaN(Green)	520	1000	1395	120°	Water Clear
XZDGK45WT-9	InGaN(Green)	515	500	995	120°	Water Clear
XZFB45S-9	InGaN(Blue)	465	300	447	120°	Water Clear

HIGH TEMPERATURE SERIES

Part Number	Chip Structure (Emitted Color)	$\lambda_{peak}$ (nm)	Intensity(mcd) $I_f=20mA$		Viewing Angle 2 $\theta$ 1/2	Lens
			Min.	Max.		

**3.2x1.6x1.8mm (1206 Dome Lens)**

Dimension Unit: mm(inches), Tolerance : ±0.2(0.008")

XZMDK55W-3HTA	AlGaInP(Red)	645	300	1300	40°	Water Clear
---------------	--------------	-----	-----	------	-----	-------------



XZxx45WT-9 - Reverse-Mount PLCC SMD LED Series

PRODUCT HIGHLIGHT

SunLED's Reverse-Mount PLCC SMD LED series are perfect for designs with limitations on component height. This series takes the traditional, industry-standard 3.5 mm x 2.8 mm top-emitting LED and re-engineers it for reverse-mount emission. This is achieved through a Z-Bend lead frame which allows the LED to mount upside-down and provide illumination through a hole on the PCB.

Reverse-mount LEDs have been an increasingly popular and creative solution for designs with limitations on component height by creating a flush surface on the PCB. Reverse-mount LEDs are also widely used to keep all components on one side of the PCB while requiring illumination to emit on the opposite side. SunLED is ready to support next-generation designs with a full spectrum of reverse-mount PLCC SMD LEDs.

PRODUCT APPLICATIONS

- Consumer electronics
- Home automation/IoT
- White goods
- Icon and text backlighting
- Safety and security
- Audio and video
- Automotive backlighting
- Instrumentation
- Medical and healthcare

PRODUCT FEATURES

- Reverse-mount version of industry-standard PLCC footprint
- High-intensity output utilizing a reflector-type package
- Wide viewing angle: 120°
- Single and multi-color options
- Low current: 20 mA operation
- Moisture sensitivity level (MSL): 3

1. Soldering Pattern Dimension Unit : mm, Tolerance : ±0.1mm.  
 2. Luminous intensity value and wavelength are in accordance with CIE127-2007 standards.  
 3. We reserve the right to make changes at any time to enhance the design and / or performance of the product.