
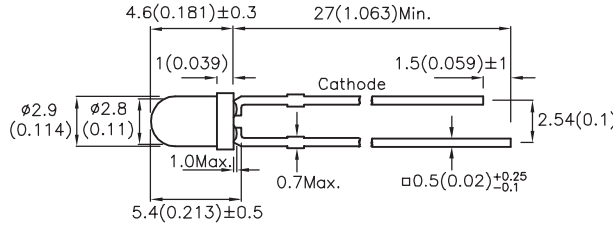



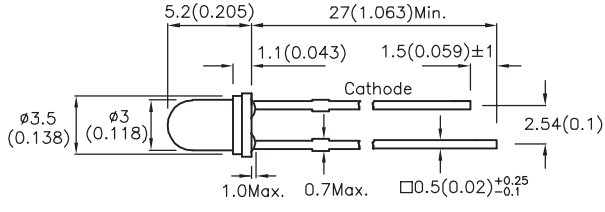
Part Number	Chip Structure (Emitted Color)	λ_{peak} (nm)	Intensity(mcd) $I_f=20mA$		Viewing Angle 2 θ 1/2	Lens
			Min.	Typ.		

3mm


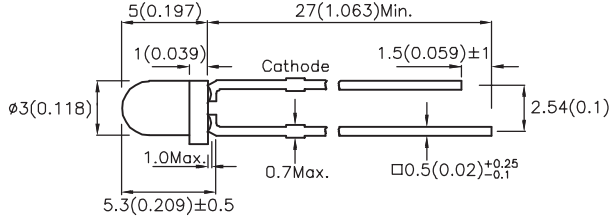
XLM2MR11D	◆ AlGaInP(Red)	660	200	497	50°	Red Diffused
XLM2MR11W	◆ AlGaInP(Red)	660	1000	1495	30°	Water Clear
XLMDK11D	◆ AlGaInP(Red)	645	120	238	50°	Red Diffused
XLMDK11W	◆ AlGaInP(Red)	645	400	895	30°	Water Clear
XLM2CRK11W	◆ AlGaInP(Red)	640	2300	3590	30°	Water Clear
XLM2MOK11W	◆ AlGaInP(Orange)	611	3600	5990	30°	Water Clear
XLMYK11D	◆ AlGaInP(Yellow)	590	400	795	50°	Yellow Diffused
XLMYK11W	◆ AlGaInP(Yellow)	590	700	1495	30°	Water Clear
XLM2CYK11W	◆ AlGaInP(Yellow)	590	1900	2990	30°	Water Clear
XLVG11D	◆ AlGaInP(Green)	574	80	248	50°	Green Diffused
XLM2DG11W	◆ InGaN(Green)	520	10500	16490	30°	Water Clear
XLDGK11W	◆ InGaN(Green)	515	8000	13990	30°	Water Clear
XLFB11W	◆ InGaN(Blue)	465	2100	3690	30°	Water Clear
XLCBD11D	◆ InGaN(Blue)	460	480	995	50°	Blue Diffused
XLCBD11W	◆ InGaN(Blue)	460	900	1590	30°	Water Clear

3mm


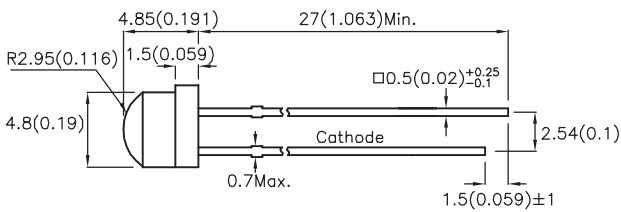
XLMDK65D	◆ AlGaInP(Red)	645	60	208	60°	Red Diffused
XLVG65D	◆ AlGaInP(Green)	574	60	138	60°	Green Diffused

3mm

XLMDK34D	◆ AlGaInP(Red)	645	100	248	60°	Red Diffused
XLMYK34D	◆ AlGaInP(Yellow)	590	300	497	60°	Yellow Diffused
XLVG34D	◆ AlGaInP(Green)	574	80	148	60°	Green Diffused

5mm


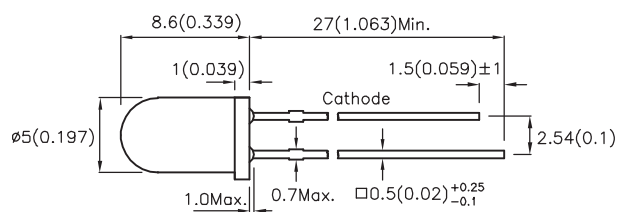



XLMDK169W	◆ AlGaInP(Red)	645	100	178	70°	Water Clear
-----------	----------------	-----	-----	-----	-----	-------------

1. Dimension Unit: mm(inches), Tolerance: ±0.25mm (0.01").
 2. Luminous intensity value and wavelength are in accordance with CIE127-2007 standards.
 3. We reserve the right to make changes at any time to enhance the design and / or performance of the product.


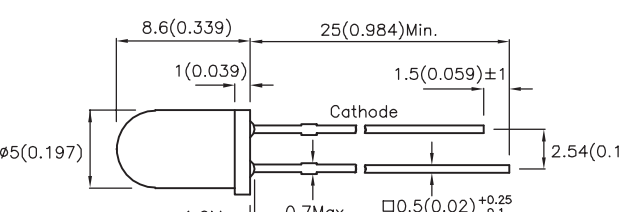
Part Number	Chip Structure (Emitted Color)	λ_{peak} (nm)	Intensity(mcd) $I_f=20mA$		Viewing Angle 2 θ 1/2	Lens
			Min.	Typ.		

5mm


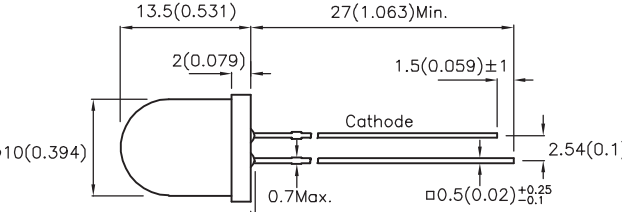
XLM2MR12D	◆ AlGaInP(Red)	660	300	597	30°	Red Diffused
XLM2MR12W	◆ AlGaInP(Red)	660	2300	3690	20°	Water Clear
XLMDK12D	◆ AlGaInP(Red)	645	300	647	30°	Red Diffused
XLMDK12W	◆ AlGaInP(Red)	645	900	1295	20°	Water Clear
XLM2CRK12W	◆ AlGaInP(Red)	640	3600	5990	20°	Water Clear
XLM2MOK12W	◆ AlGaInP(Orange)	611	5000	8890	20°	Water Clear
XLMDK12W	◆ AlGaInP(Orange)	610	1300	2090	20°	Water Clear
XLMYK12D	◆ AlGaInP(Yellow)	590	500	995	30°	Yellow Diffused
XLM2CYK12W	◆ AlGaInP(Yellow)	590	5000	7790	20°	Water Clear
XLVG12D	◆ AlGaInP(Green)	574	50	138	30°	Green Diffused
XLDGK12W	◆ InGaN(Green)	515	14000	25990	20°	Water Clear
XLFB12W	◆ InGaN(Blue)	465	4300	6990	20°	Water Clear
XLCBD12D	◆ InGaN(Blue)	460	600	995	30°	Blue Diffused
XLCBD12W	◆ InGaN(Blue)	460	3100	4490	20°	Water Clear

5mm

XLM2CRK14W	◆ AlGaInP(Red)	640	1500	2890	30°	Water Clear
XLFB14W	◆ InGaN(Blue)	465	1900	3090	30°	Water Clear

10mm

XLM2MR01D	◆ AlGaInP(Red)	660	300	597	30°	Red Diffused
XLMDK01D	◆ AlGaInP(Red)	645	150	297	30°	Red Diffused
XLVG01D	◆ AlGaInP(Green)	574	55	98	30°	Green Diffused

1. Dimension Unit: mm(inches), Tolerance: ±0.25mm (0.01").
 2. Luminous intensity value and wavelength are in accordance with CIE127-2007 standards.
 3. We reserve the right to make changes at any time to enhance the design and / or performance of the product.