
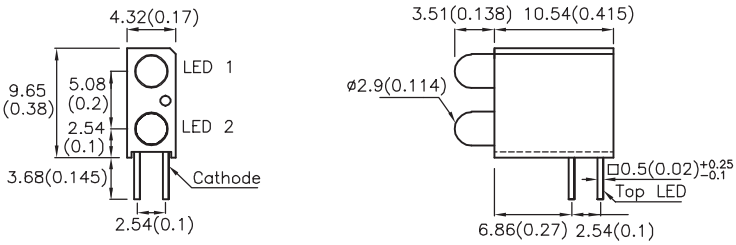

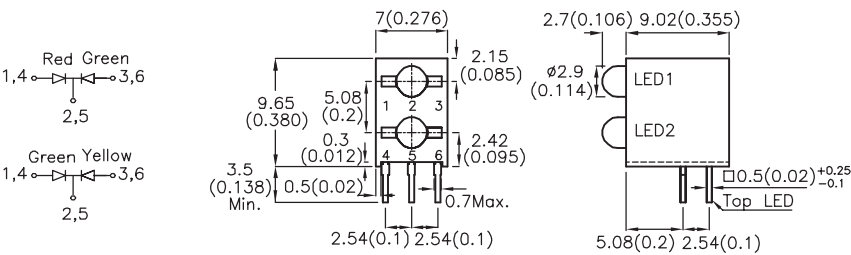

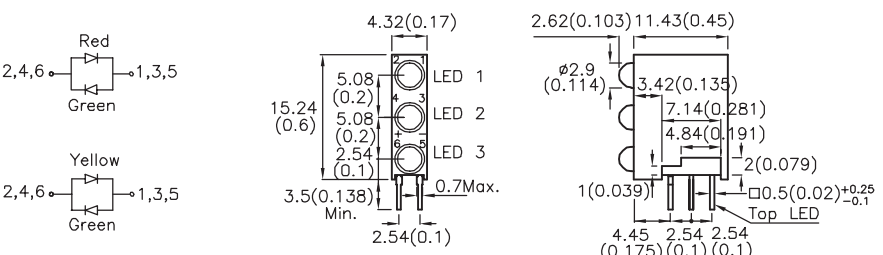



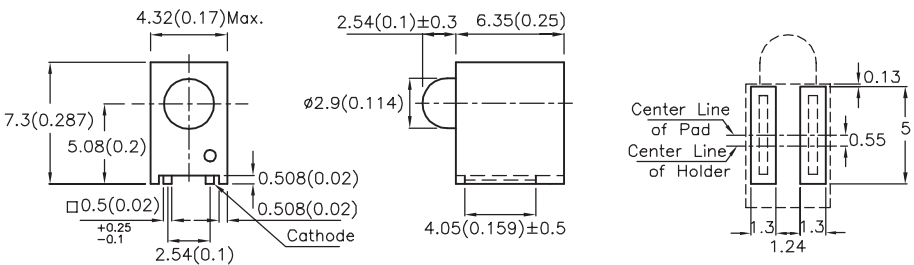
Part Number	Chip Structure (Emitted Color)	λ_{peak} (nm)	Intensity(mcd) $I_f=10mA, 20mA^*$		Viewing Angle 201/2	Lens
			Min.	Typ.		
3mm  						
XPF2LUY11D	◆ GaAsP/GaP(Yellow)	590	8	14	50°	Yellow Diffused
XPF2LUG11D	◆ GaP(Green)	565	10	24	50°	Green Diffused

3mm (Bi-Color)  						
XVO2LUGR86M	◆ GaAsP/GaP(Red) ◆ GaP(Green)	627 565	10* 12*	23* 29*	60°	White Diffused
XVO2LUGY86M	◆ GaP(Green) ◆ GaAsP/GaP(Yellow)	565 590	18* 10*	39* 19*	60°	White Diffused

THREE POSITION

Part Number	Chip Structure (Emitted Color)	λ_{peak} (nm)	Intensity(mcd) $I_f=20mA$		Viewing Angle 201/2	Lens
			Min.	Typ.		
3mm (Bi-Color)  						
XPZ3LUGR37M	◆ GaAsP/GaP(Red) ◆ GaP(Green)	627 565	4 6	9 13	60°	White Diffused
XPZ3LUYG37M	◆ GaAsP/GaP(Yellow) ◆ GaP(Green)	590 565	4 6	7 13	60°	White Diffused

SMD CBI

Part Number	Chip Structure (Emitted Color)	λ_{peak} (nm)	Intensity(mcd) $I_f=10mA$		Viewing Angle 201/2	Lens
			Min.	Typ.		
3mm (One-Position SMD)  						
XNK1LUG11DSMD	◆ GaP(Green)	565	10	24	50°	Green Diffused

1. Dimension Unit: mm(inches), Tolerance: $\pm 0.25mm$ (0.01").
 2. Luminous intensity value and wavelength are in accordance with CIE127-2007 standards.
 3. We reserve the right to make changes at any time to enhance the design and / or performance of the product.