

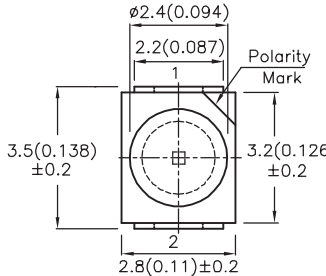
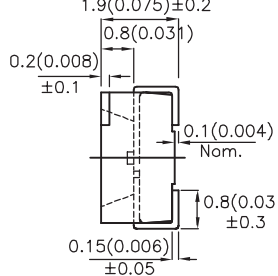
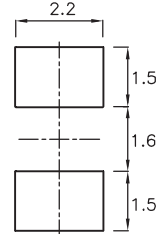


Part Number	Chip Structure (Emitted Color)	$\lambda_{peak}$ (nm)	Intensity(mcd) $I_f=20mA$		Viewing Angle 2 $\theta$ 1/2	Lens
			Min.	Typ.		

**3.5x2.8x1.9mm (PLCC2)**

Dimension Unit: mm(inches), Tolerance : ±0.25(0.01")

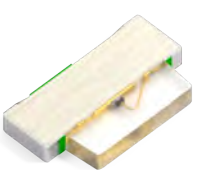

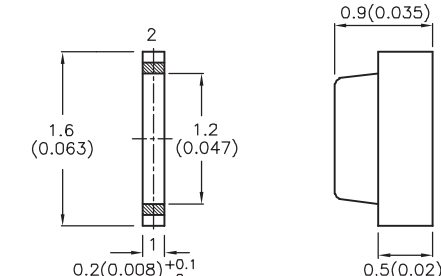
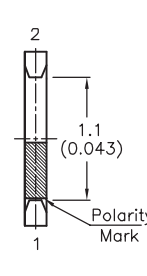
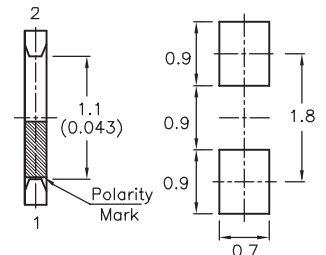
Recommended Soldering Pattern

XZMDK45WT	◆ AlGaInP(Red)	645	55	98	120°	Water Clear
XZMOK45WT	◆ AlGaInP(Orange)	610	120	228	120°	Water Clear
XZMYK45WT	◆ AlGaInP(Yellow)	590	120	248	120°	Water Clear
XZVG45WT	◆ AlGaInP(Green)	574	40	98	120°	Water Clear
XZDGK45WT	◆ InGaN(Green)	515	500	995	120°	Water Clear
XZFB45S	◆ InGaN(Blue)	465	300	447	120°	Water Clear
XZCBD45S	◆ InGaN(Blue)	460	80	148	120°	Water Clear

SIDE EMITTING

Part Number	Chip Structure (Emitted Color)	$\lambda_{peak}$ (nm)	Intensity(mcd) $I_f=20mA$		Viewing Angle 2 $\theta$ 1/2	Lens
			Min.	Typ.		

**1.6x0.9x0.2mm (Super Thin Right Angle)**



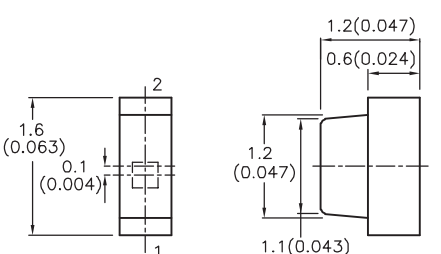
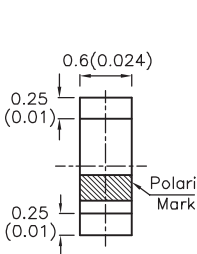
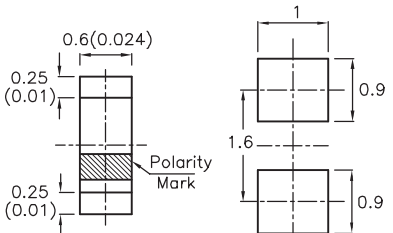






Dimension Unit: mm(inches), Tolerance : ±0.1(0.004")

Recommended Soldering Pattern

XZVG151W	◆ AlGaInP(Green)	573	12	29	150°	Water Clear
----------	------------------	-----	----	----	------	-------------

**1.6x1.2x0.6mm (Right Angle)**

Dimension Unit: mm(inches), Tolerance : ±0.1(0.004")

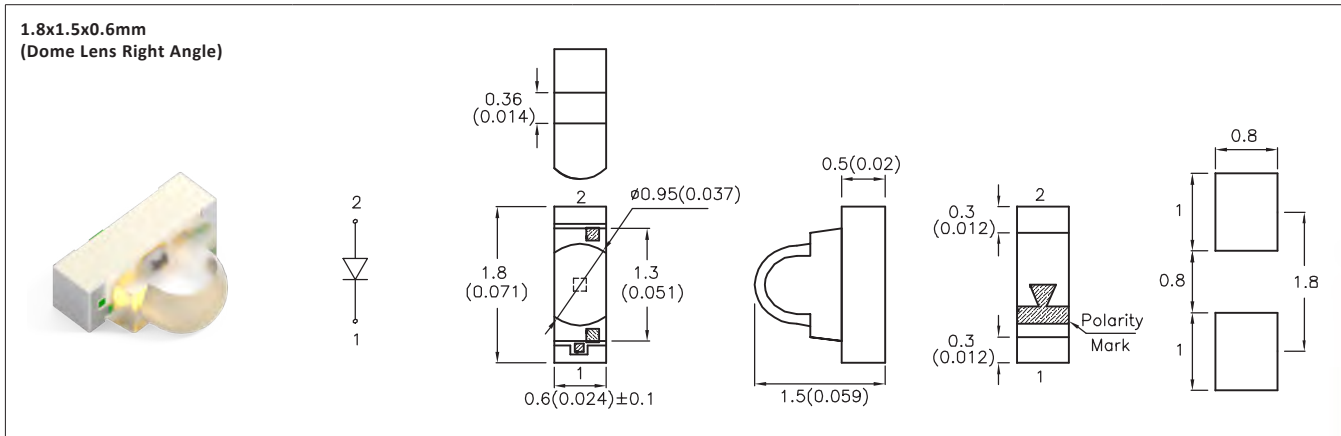
Recommended Soldering Pattern

XZMDK87W	◆ AlGaInP(Red)	645	40	79	110°	Water Clear
XZMOK87W	◆ AlGaInP(Orange)	610	80	178	110°	Water Clear
XZMYK87W	◆ AlGaInP(Yellow)	590	80	148	110°	Water Clear
XZVG87W	◆ AlGaInP(Green)	574	20	49	110°	Water Clear
XZCBD87W	◆ InGaN(Blue)	460	40	79	110°	Water Clear

1. Soldering Pattern Dimension Unit : mm, Tolerance : ±0.1mm.  
 2. Luminous intensity value and wavelength are in accordance with CIE127-2007 standards.  
 3. We reserve the right to make changes at any time to enhance the design and / or performance of the product.

Part Number	Chip Structure (Emitted Color)	$\lambda_{peak}$ (nm)	Intensity(mcd) $I_f=20mA$		Viewing Angle 2 $\theta$ 1/2	Lens
			Min.	Typ.		

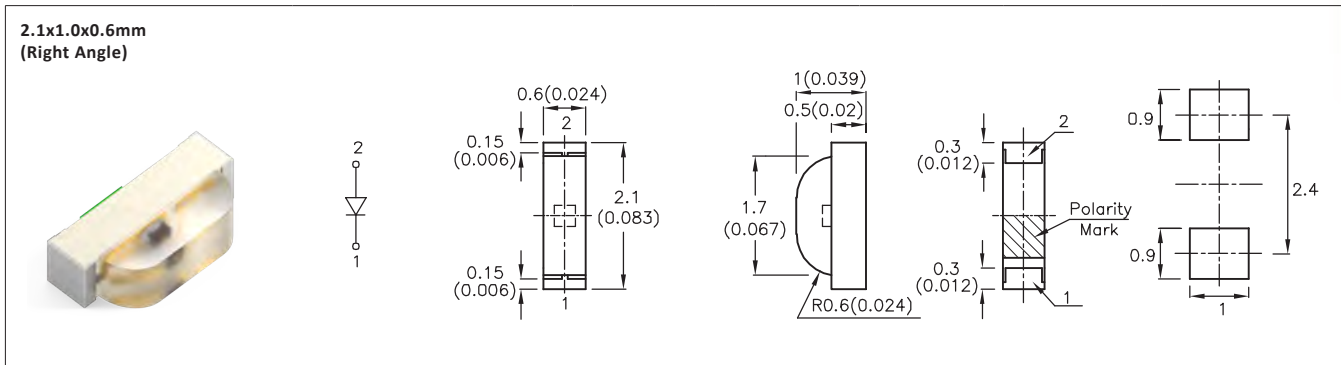
**1.8x1.5x0.6mm  
(Dome Lens Right Angle)**



Dimension Unit: mm(inches), Tolerance :  $\pm 0.15(0.006")$

Part Number	Chip Structure	$\lambda_{peak}$ (nm)	Min. Intensity (mcd)	Typ. Intensity (mcd)	Viewing Angle	Lens
XZMDK168W	AlGaInP(Red)	645	500	1195	25°	Water Clear
XZM2CRK168WA	AlGaInP(Red)	640	1300	2590	25°	Water Clear
XZMYK168W	AlGaInP(Yellow)	590	500	1095	25°	Water Clear
XZVG168W	AlGaInP(Green)	574	120	397	25°	Water Clear
XZDGK168W	InGaN(Green)	515	1900	3190	25°	Water Clear
XZFB168W	InGaN(Blue)	465	400	795	25°	Water Clear

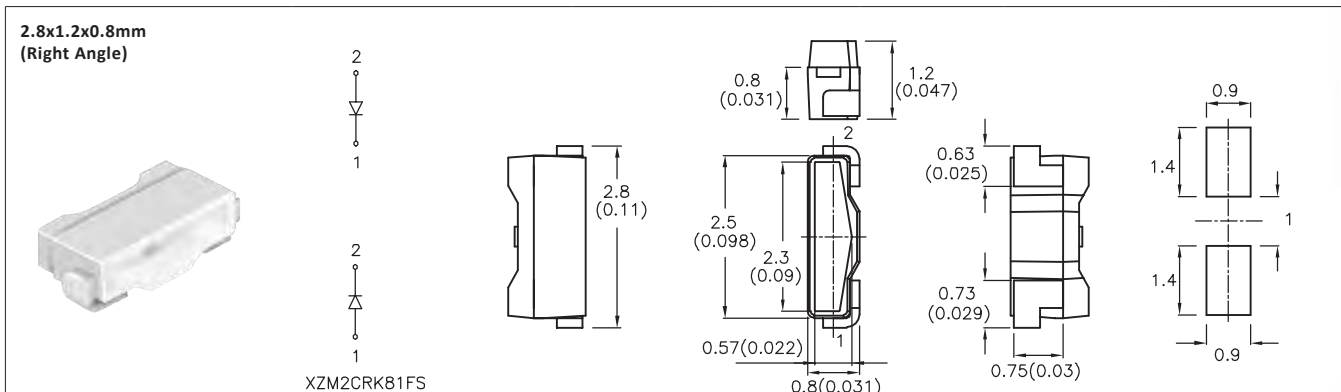
**2.1x1.0x0.6mm  
(Right Angle)**



Dimension Unit: mm(inches), Tolerance :  $\pm 0.1(0.004")$

Part Number	Chip Structure	$\lambda_{peak}$ (nm)	Min. Intensity (mcd)	Typ. Intensity (mcd)	Viewing Angle	Lens
XZMDK74W	AlGaInP(Red)	645	40	79	140°	Water Clear
XZM2CRK74WA	AlGaInP(Red)	640	200	377	140°	Water Clear
XZMYK74W	AlGaInP(Yellow)	590	80	148	140°	Water Clear
XZVG74W	AlGaInP(Green)	574	20	49	140°	Water Clear

**2.8x1.2x0.8mm  
(Right Angle)**





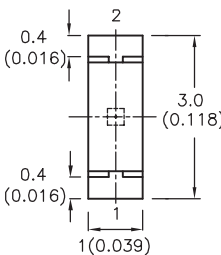
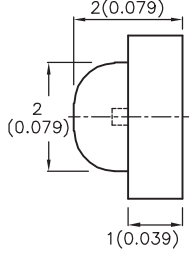
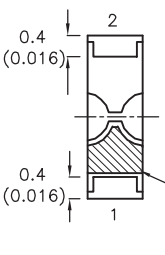
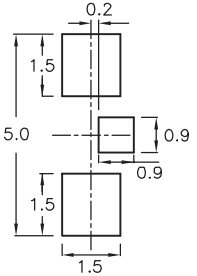
Dimension Unit: mm(inches), Tolerance :  $\pm 0.1(0.004")$

Part Number	Chip Structure	$\lambda_{peak}$ (nm)	Min. Intensity (mcd)	Typ. Intensity (mcd)	Viewing Angle	Lens
XZMDK81FS	AlGaInP(Red)	645	40	98	110°	Water Clear
XZM2CRK81FS	AlGaInP(Red)	640	300	497	110°	Water Clear
XZMYK81FS	AlGaInP(Yellow)	590	120	198	110°	Water Clear
XZVG81FS	AlGaInP(Green)	574	40	69	110°	Water Clear
XZM2DG81FS	InGaN(Green)	520	1000	1395	110°	Water Clear
XZFB81FS	InGaN(Blue)	465	200	347	110°	Water Clear

1. Soldering Pattern Dimension Unit : mm, Tolerance :  $\pm 0.1mm$ .  
 2. Luminous intensity value and wavelength are in accordance with CIE127-2007 standards.  
 3. We reserve the right to make changes at any time to enhance the design and / or performance of the product.

Part Number	Chip Structure (Emitted Color)	$\lambda_{peak}$ (nm)	Intensity(mcd) $I_f=20mA$		Viewing Angle 2 $\theta$ /2	Lens
			Min.	Typ.		

**3.0x2.0x1.0mm (Right Angle)**

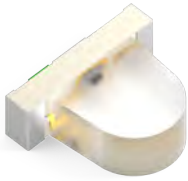

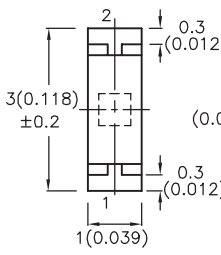
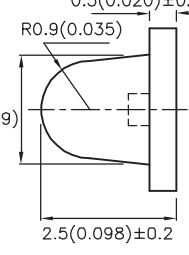
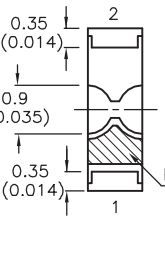
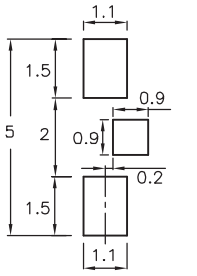







Dimension Unit: mm(inches), Tolerance :  $\pm 0.15(0.006^{\circ})$

Recommended Soldering Pattern

XZMYK56W	◆ AlGaInP(Yellow)	590	80	148	120°	Water Clear
XZVG56W	◆ AlGaInP(Green)	574	20	49	120°	Water Clear
XZCBD56W	◆ InGaN(Blue)	460	40	79	120°	Water Clear

**3.0x2.5x1.0mm (Right Angle)**



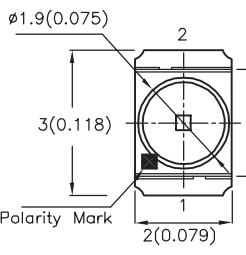
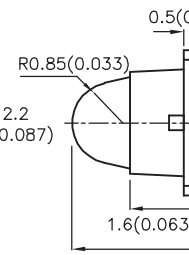
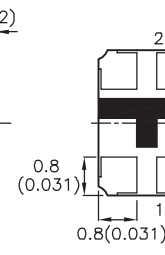
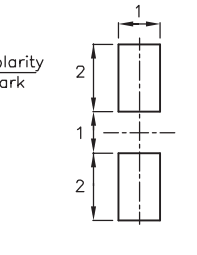







Dimension Unit: mm(inches), Tolerance :  $\pm 0.15(0.006^{\circ})$

Recommended Soldering Pattern

XZMDK56W-1	◆ AlGaInP(Red)	645	200	297	30°	Water Clear
XZVG56W-1	◆ AlGaInP(Green)	574	80	148	30°	Water Clear
XZDGK56W-1	◆ InGaN(Green)	515	500	695	30°	Water Clear
XZCBD56W-1	◆ InGaN(Blue)	460	120	198	30°	Water Clear

**3.0x2.8x2.0mm (Dome Lens Right Angle)**

Dimension Unit: mm(inches), Tolerance :  $\pm 0.2(0.008^{\circ})$


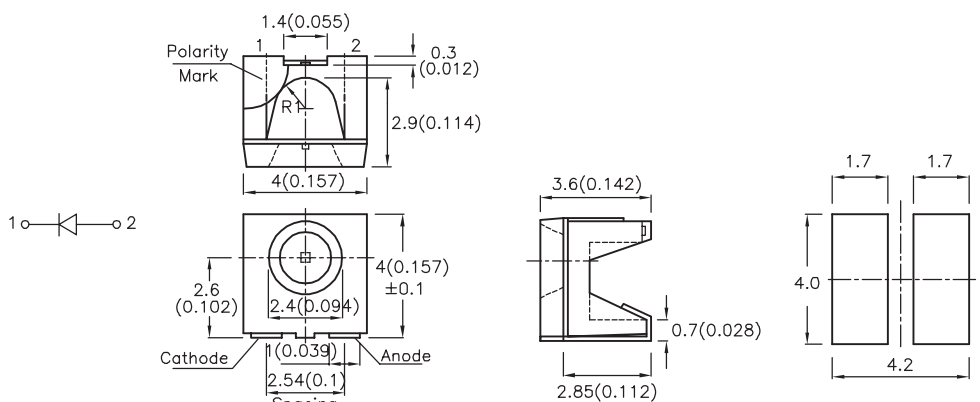
Recommended Soldering Pattern

XZM2CRK50W-2RP	◆ AlGaInP(Red)	640	2300	3790	10°	Water Clear
XZM2CYK50W-2RP	◆ AlGaInP(Yellow)	590	3600	6990	10°	Water Clear

1. Soldering Pattern Dimension Unit : mm, Tolerance :  $\pm 0.1mm$ .  
 2. Luminous intensity value and wavelength are in accordance with CIE127-2007 standards.  
 3. We reserve the right to make changes at any time to enhance the design and / or performance of the product.

Part Number	Chip Structure (Emitted Color)	$\lambda_{peak}$ (nm)	Intensity(mcd) $I_f=20mA$		Viewing Angle 2 $\theta$ 1/2	Lens
			Min.	Typ.		

**4.0x4.0x3.6mm (PLCC Right Angle)**

Dimension Unit: mm(inches), Tolerance :  $\pm 0.25(0.01^*)$

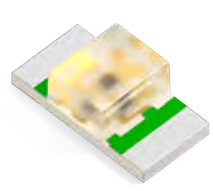
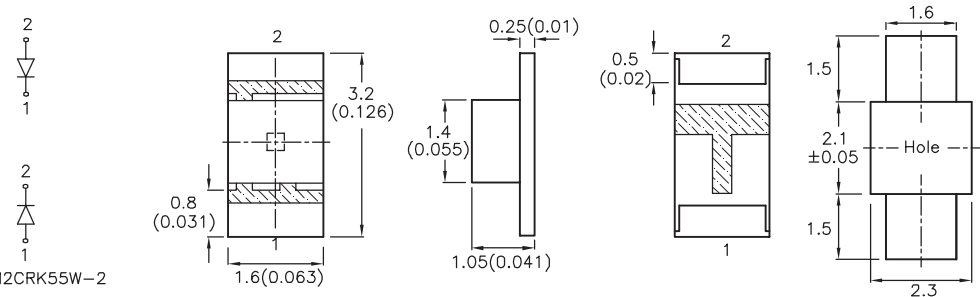
Recommended Soldering Pattern

XZMDK67S	◆ AlGaInP(Red)	645	80	148	120°	Water Clear
XZVG67WT	◆ AlGaInP(Green)	574	40	89	120°	Water Clear
XZM2DG67WT	◆ InGaN(Green)	520	1000	1395	120°	Water Clear
XZDG67S	◆ InGaN(Green)	515	500	795	120°	Water Clear
XZCBD67S	◆ InGaN(Blue)	460	80	218	120°	Water Clear

REVERSE MOUNT

Part Number	Chip Structure (Emitted Color)	$\lambda_{peak}$ (nm)	Intensity(mcd) $I_f=20mA$		Viewing Angle 2 $\theta$ 1/2	Lens
			Min.	Typ.		

**3.2x1.6x1.05mm (1206 Reverse Mount)**

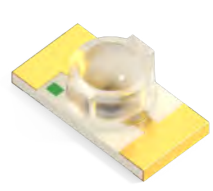
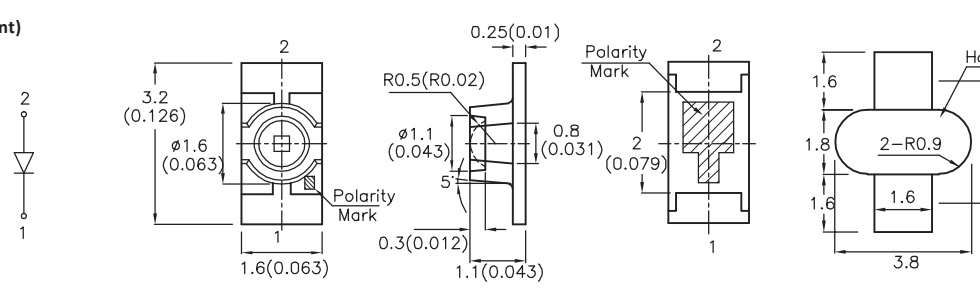



Dimension Unit: mm(inches), Tolerance :  $\pm 0.2(0.008^*)$

Recommended Soldering Pattern

XZMDK55W-2	◆ AlGaInP(Red)	645	40	79	140°	Water Clear
XZM2CRK55W-2	◆ AlGaInP(Red)	640	200	347	140°	Water Clear
XZMYK55W-2	◆ AlGaInP(Yellow)	590	80	148	140°	Water Clear
XZVG55W-2	◆ AlGaInP(Green)	574	20	49	140°	Water Clear
XZDGK55W-2	◆ InGaN(Green)	515	300	547	140°	Water Clear
XZCBD55W-2	◆ InGaN(Blue)	460	40	98	140°	Water Clear

**3.2x1.6x1.1mm (1206 Inner Dome Lens Reverse Mount)**

Dimension Unit: mm(inches), Tolerance :  $\pm 0.1(0.004^*)$

Recommended Soldering Pattern

XZMDK55W-A2RT	◆ AlGaInP(Red)	645	120	228	80°	Water Clear
XZMYK55W-A2RT	◆ AlGaInP(Yellow)	590	200	347	80°	Water Clear
XZVG55W-A2RT	◆ AlGaInP(Green)	574	55	98	80°	Water Clear
XZCBD55W-A2RT	◆ InGaN(Blue)	460	120	248	80°	Water Clear

1. Soldering Pattern Dimension Unit : mm, Tolerance :  $\pm 0.1mm$ .  
 2. Luminous intensity value and wavelength are in accordance with CIE127-2007 standards.  
 3. We reserve the right to make changes at any time to enhance the design and / or performance of the product.