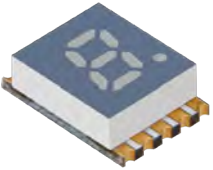
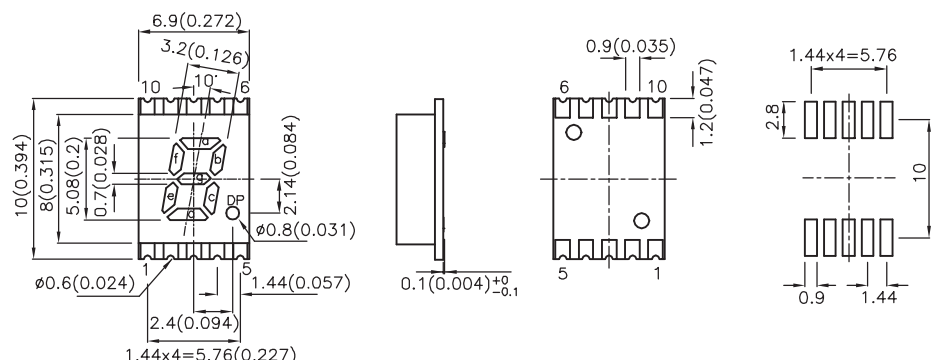
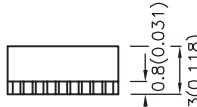
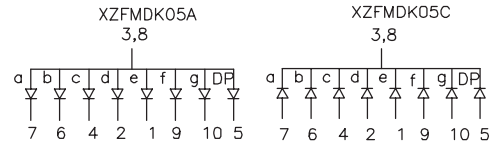


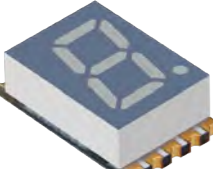
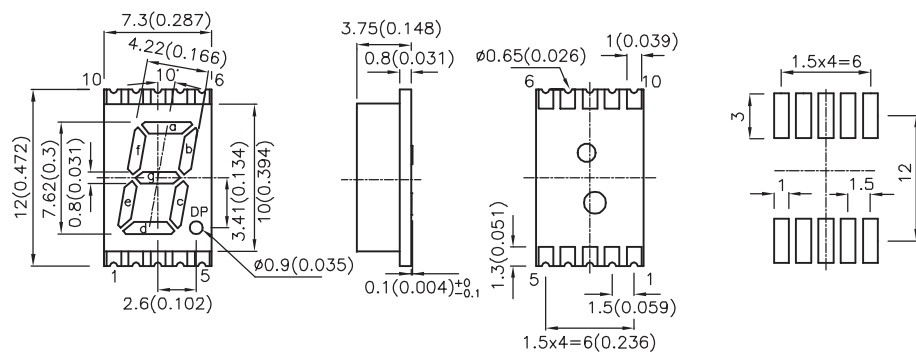
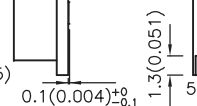
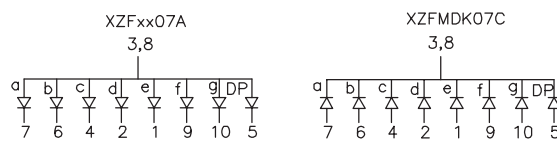
Part Number		Chip Structure (Emitted Color)	$\lambda_{peak}$ (nm)	Intensity(ucd) $I_t=10mA$	
Common Anode	Common Cathode			Min.	Typ.

**0.2"(5.08mm)**

XZFMOK05A	XZFMOK05C	◆ AlGaInP(Red)	645	3600	8090
-----------	-----------	----------------	-----	------	------

**0.3"(7.62mm)**

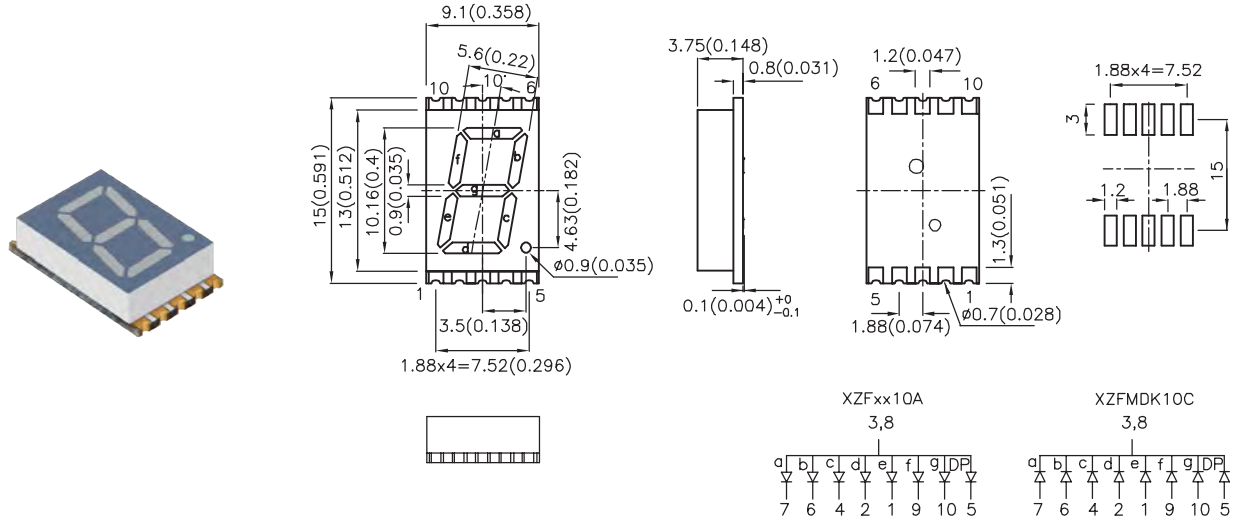





XZFMOK07A	XZFMOK07C	◆ AlGaInP(Red)	645	3600	6390
XZFMOK07A	-	◆ AlGaInP(Orange)	610	5600	10990
XZFMOK07A	-	◆ AlGaInP(Yellow)	590	5600	12990
XZFMOK07A	-	◆ AlGaInP(Green)	574	1400	3090

1. Dimension Unit: mm(inches), Tolerance: ±0.25mm (0.01").  
 2. Luminous intensity value and wavelength are in accordance with CIE127-2007 standards.  
 3. We reserve the right to make changes at any time to enhance the design and / or performance of the product.

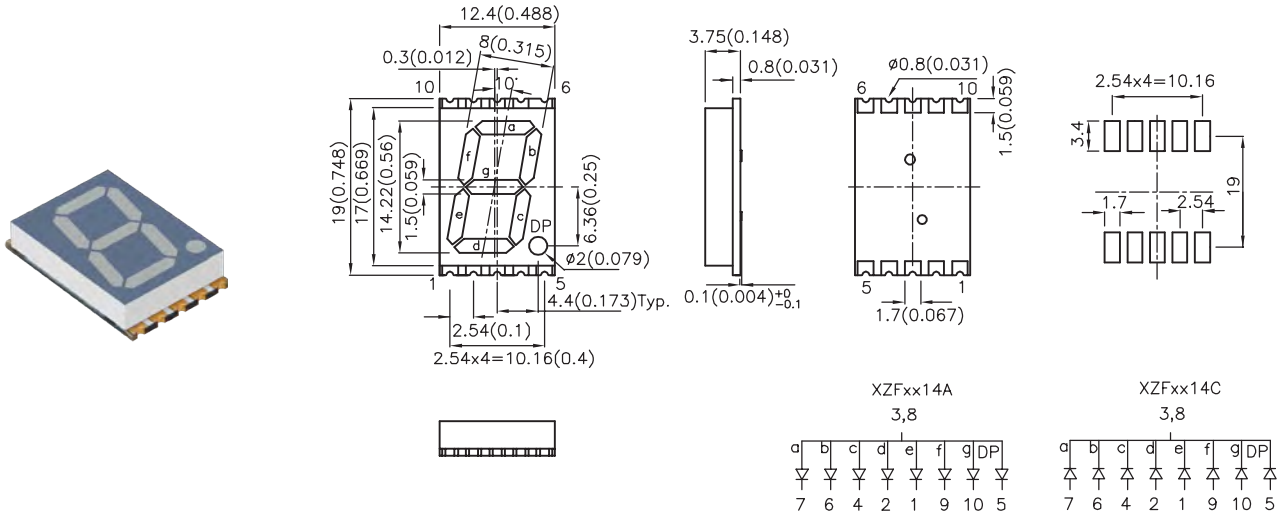
Part Number		Chip Structure (Emitted Color)	$\lambda_{peak}$ (nm)	Intensity(Icd) $I_t=10mA$	
Common Anode	Common Cathode			Min.	Typ.

0.4"(10.16mm)



XZFMdk10A	XZFMdk10C	◆ AlGaInP(Red)	645	9000	19990
XZFGV10A	-	◆ AlGaInP(Green)	574	2200	4090

0.56"(14.22mm)

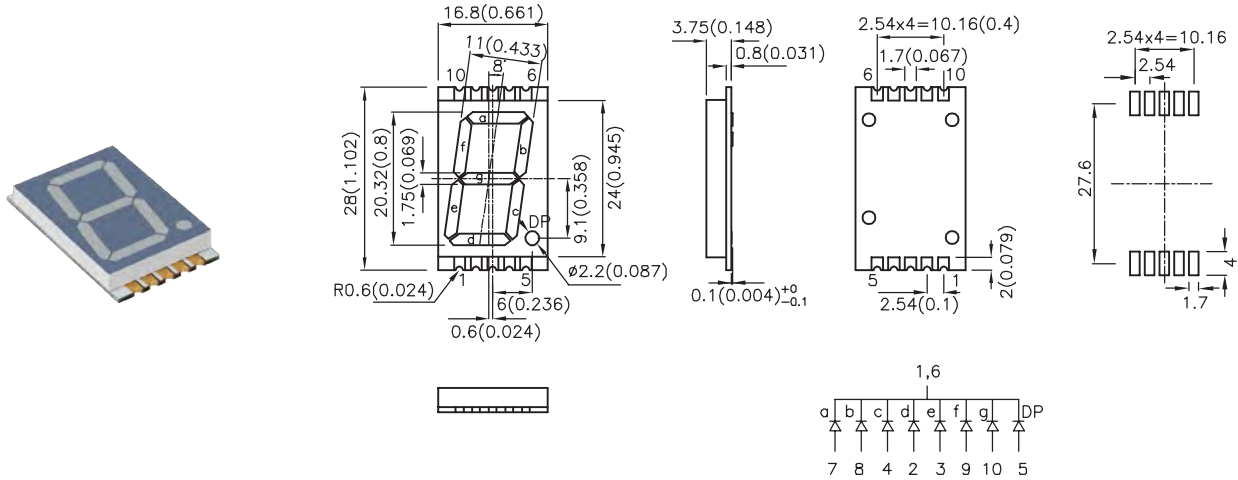


XZFMdk14A	XZFMdk14C	◆ AlGaInP(Red)	645	14000	28990
-	XZFMYK14C	◆ AlGaInP(Yellow)	590	14000	28990
XZFGV14A	XZFGV14C	◆ AlGaInP(Green)	574	2200	4590
XZFCBD14A	XZFCBD14C	◆ InGaN(Blue)	460	5600	14990

1. Dimension Unit: mm(inches), Tolerance:  $\pm 0.25mm$  (0.01").  
 2. Luminous intensity value and wavelength are in accordance with CIE127-2007 standards.  
 3. We reserve the right to make changes at any time to enhance the design and / or performance of the product.

Part Number		Chip Structure (Emitted Color)	$\lambda_{peak}$ (nm)	Intensity(ucd) $I_t=10mA$	
Common Anode	Common Cathode			Min.	Typ.

0.8"(20.32mm)

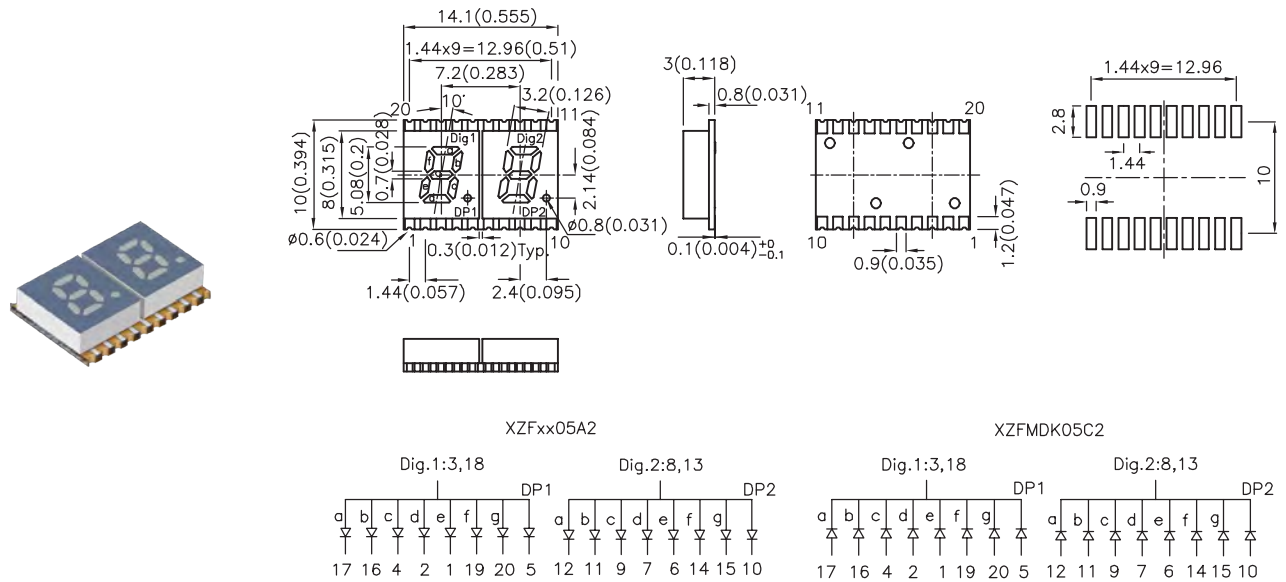


-	XZFMKD20C-A	◆ AlGaInP(Red)	645	5600	11990
---	-------------	----------------	-----	------	-------

DUAL DIGIT SMD

Part Number		Chip Structure (Emitted Color)	$\lambda_{peak}$ (nm)	Intensity(ucd) $I_t=10mA$	
Common Anode	Common Cathode			Min.	Typ.

0.2"(5.08mm)



XZFMKD05A2	XZFMKD05C2	◆ AlGaInP(Red)	645	3600	8090
XZFMK05A2	-	◆ AlGaInP(Yellow)	590	5600	14990
XZFMK05A2	-	◆ AlGaInP(Green)	574	2200	4290

1. Dimension Unit: mm(inches), Tolerance:  $\pm 0.25mm$  (0.01").  
 2. Luminous intensity value and wavelength are in accordance with CIE127-2007 standards.  
 3. We reserve the right to make changes at any time to enhance the design and / or performance of the product.