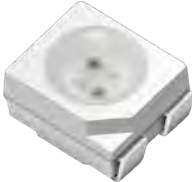
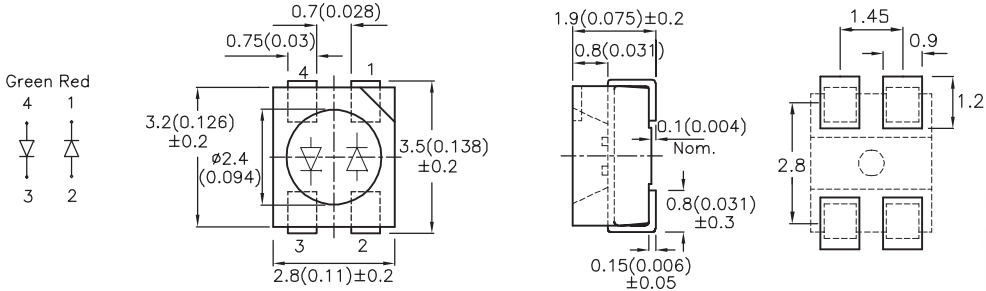
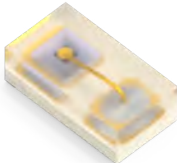
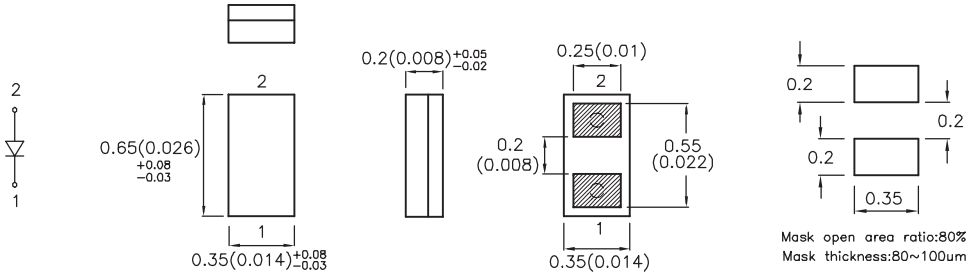
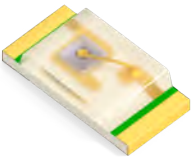
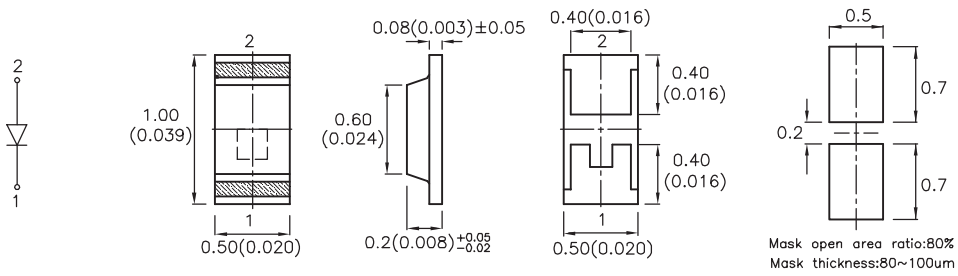


| Part Number | Chip Structure (Emitted Color) | λ_{peak} (nm) | Intensity(mcd) $I_f=20mA$ | | Viewing Angle 2 θ 1/2 | Lens |
|---|--|-----------------------|------------------------------|----------|---------------------------------|-------------|
| | | | Min. | Typ. | | |
| 3.5x2.8x1.9mm (PLCC4 Bi-Color)   <p>Green Red 4 1 3 2</p> <p>Dimension Unit: mm(inches), Tolerance : $\pm 0.25(0.01")$</p> | | | | | | |
| XZMDKVG45WT | <ul style="list-style-type: none"> ◆ AlGaInP(Red) ◆ AlGaInP(Green) | 645 574 | 55 40 | 98 79 | 120° | Water Clear |

TOP EMITTING

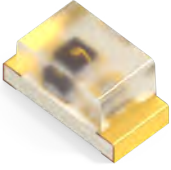

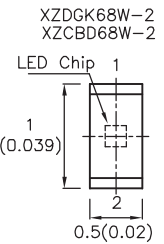
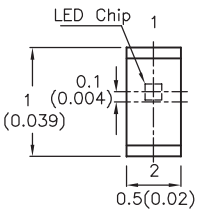
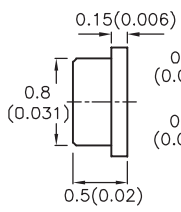
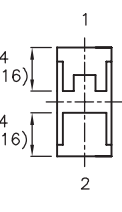
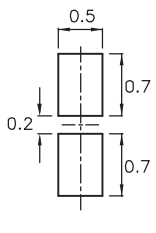
| Part Number | Chip Structure (Emitted Color) | λ_{peak} (nm) | Intensity(mcd) $I_f=20mA, 10mA, 5mA^{**}$ | | Viewing Angle 2 θ 1/2 | Lens |
|---|-----------------------------------|-----------------------|--|-------|---------------------------------|-------------|
| | | | Min. | Typ. | | |
| 0.65x0.35x0.2mm (0201 Super Thin)   <p>2 1</p> <p>Mask open area ratio:80% Mask thickness:80~100um</p> <p>Dimension Unit: mm(inches), Tolerance : $\pm 0.1(0.004")$</p> | | | | | | |
| XZMDR155W | ◆ AlGaInP(Red) | 639 | 10* | 34* | 140° | Water Clear |
| XZMER155W | ◆ AlGaInP(Red) | 632 | 15* | 39* | 140° | Water Clear |
| XZMYR155W | ◆ AlGaInP(Yellow) | 591 | 10* | 29* | 140° | Water Clear |
| XZVGR155W | ◆ AlGaInP(Green) | 572 | 6* | 14* | 140° | Water Clear |
| XZDG155W5MAV | ◆ InGaN(Green) | 515 | 180** | 278** | 140° | Water Clear |
| XZFBA155W5MAV | ◆ InGaN(Blue) | 463 | 30** | 59** | 140° | Water Clear |

| Part Number | Chip Structure (Emitted Color) | λ_{peak} (nm) | Intensity(mcd) $I_f=20mA, 10mA, 5mA^{**}$ | | Viewing Angle 2 θ 1/2 | Lens |
|--|-----------------------------------|-----------------------|--|-------|---------------------------------|-------------|
| | | | Min. | Typ. | | |
| 1.0x0.5x0.2mm (0402 Super Thin)   <p>2 1</p> <p>Mask open area ratio:80% Mask thickness:80~100um</p> <p>Dimension Unit: mm(inches), Tolerance : $\pm 0.1(0.004")$</p> | | | | | | |
| XZMER68W-3 | ◆ AlGaInP(Red) | 632 | 40 | 79 | 120° | Water Clear |
| XZMYR68W-3 | ◆ AlGaInP(Yellow) | 591 | 55 | 98 | 120° | Water Clear |
| XZVGR68W-3 | ◆ AlGaInP(Green) | 572 | 12 | 34 | 120° | Water Clear |
| XZDG68W5MAV-3 | ◆ InGaN(Green) | 515 | 120** | 278** | 140° | Water Clear |
| XZFBA68W5MAV-3 | ◆ InGaN(Blue) | 463 | 20** | 59** | 140° | Water Clear |

1. Soldering Pattern Dimension Unit : mm, Tolerance : $\pm 0.1mm$.
 2. Luminous intensity value and wavelength are in accordance with CIE127-2007 standards.
 3. We reserve the right to make changes at any time to enhance the design and / or performance of the product.

| Part Number | Chip Structure (Emitted Color) | λ_{peak} (nm) | Intensity(mcd) $I_f=20mA$ | | Viewing Angle 2 θ 1/2 | Lens |
|-------------|-----------------------------------|-----------------------|------------------------------|------|---------------------------------|------|
| | | | Min. | Typ. | | |



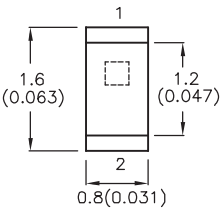
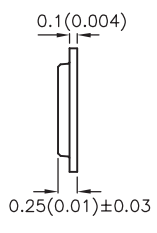
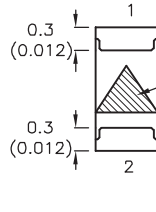

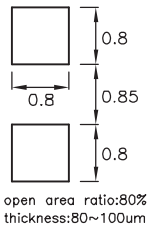
1.0x0.5x0.5mm (0402)

Dimension Unit: mm(inches), Tolerance : $\pm 0.1(0.004)$ Recommended Soldering Pattern

| | | | | | | |
|------------|-------------------|-----|-----|-----|------|-------------|
| XZMDK68W-2 | ◆ AlGaInP(Red) | 645 | 40 | 69 | 120° | Water Clear |
| XZMOK68W-2 | ◆ AlGaInP(Orange) | 610 | 80 | 148 | 120° | Water Clear |
| XZMYK68W-2 | ◆ AlGaInP(Yellow) | 590 | 80 | 148 | 120° | Water Clear |
| XZVG68W-2 | ◆ AlGaInP(Green) | 574 | 20 | 49 | 120° | Water Clear |
| XZDGK68W-2 | ◆ InGaN(Green) | 515 | 400 | 547 | 140° | Water Clear |
| XZCBD68W-2 | ◆ InGaN(Blue) | 460 | 40 | 59 | 140° | Water Clear |

1.6x0.8x0.25mm (0603 Super Thin)

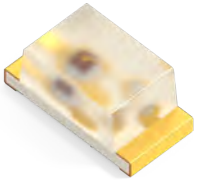

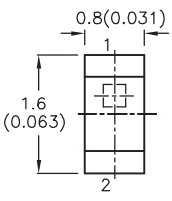
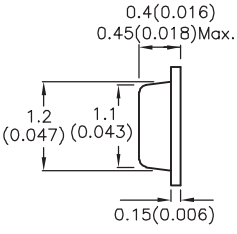
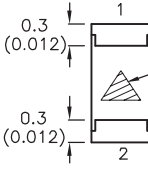

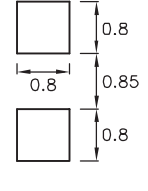








Mask open area ratio:80%
Mask thickness:80~100um

Dimension Unit: mm(inches), Tolerance : $\pm 0.1(0.004)$ Recommended Soldering Pattern

| | | | | | | |
|-------------|-------------------|-----|-----|-----|------|-------------|
| XZMDKT53W-6 | ◆ AlGaInP(Red) | 645 | 55 | 108 | 120° | Water Clear |
| XZMYKT53W-6 | ◆ AlGaInP(Yellow) | 590 | 55 | 118 | 120° | Water Clear |
| XZVGT53W-6 | ◆ AlGaInP(Green) | 574 | 20 | 49 | 120° | Water Clear |
| XZDGK53W-6 | ◆ InGaN(Green) | 515 | 300 | 397 | 130° | Water Clear |
| XZCBD53W-6 | ◆ InGaN(Blue) | 460 | 40 | 98 | 130° | Water Clear |

1.6x0.8x0.45mm (0603)

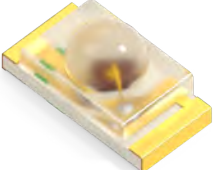

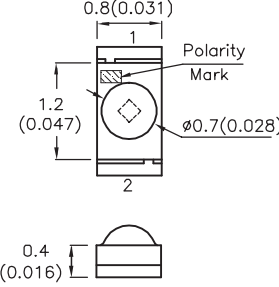
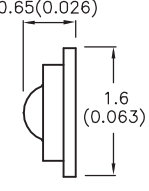
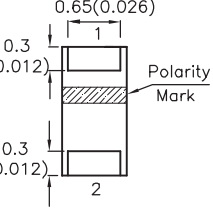
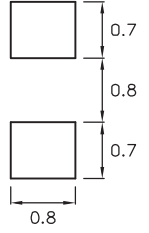
Dimension Unit: mm(inches), Tolerance : $\pm 0.1(0.004)$ Recommended Soldering Pattern

| | | | | | | |
|------------|-------------------|-----|----|-----|------|-------------|
| XZMDK53W-3 | ◆ AlGaInP(Red) | 645 | 40 | 79 | 120° | Water Clear |
| XZMOK53W-3 | ◆ AlGaInP(Orange) | 610 | 80 | 178 | 120° | Water Clear |
| XZMYK53W-3 | ◆ AlGaInP(Yellow) | 590 | 80 | 148 | 120° | Water Clear |
| XZVG53W-3 | ◆ AlGaInP(Green) | 574 | 20 | 49 | 120° | Water Clear |

1. Soldering Pattern Dimension Unit : mm, Tolerance : $\pm 0.1mm$.
 2. Luminous intensity value and wavelength are in accordance with CIE127-2007 standards.
 3. We reserve the right to make changes at any time to enhance the design and / or performance of the product.

| Part Number | Chip Structure (Emitted Color) | λ_{peak} (nm) | Intensity(mcd) $I_f=20mA$ | | Viewing Angle 2 θ 1/2 | Lens |
|-------------|-----------------------------------|-----------------------|------------------------------|------|---------------------------------|------|
| | | | Min. | Typ. | | |

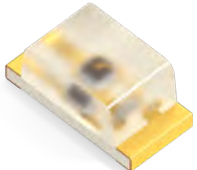

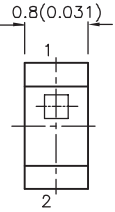
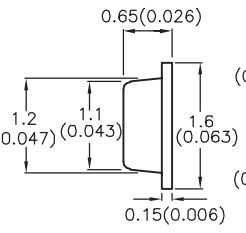
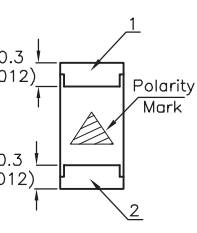
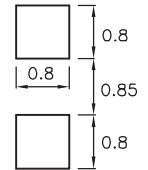
1.6x0.8x0.65mm (0603)

Dimension Unit: mm(inches), Tolerance : $\pm 0.15(0.006^*)$

| Recommended Soldering Pattern | | | | | | |
|-------------------------------|----------------|-----|-----|-----|------|-------------|
| XZM2CRK53WA-8ST | ◆ AlGaInP(Red) | 640 | 300 | 597 | 100° | Water Clear |
| XZDGK53W-8ST | ◆ InGaN(Green) | 515 | 400 | 935 | 100° | Water Clear |

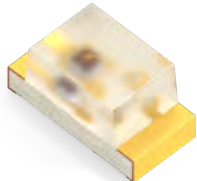

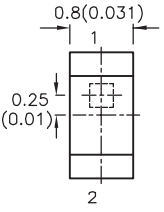
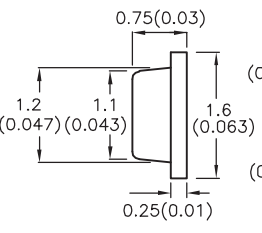
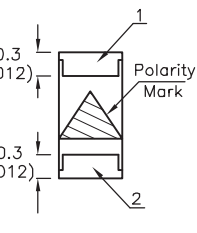
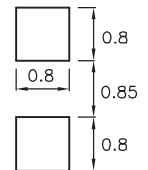
1.6x0.8x0.65mm (0603)

Dimension Unit: mm(inches), Tolerance : $\pm 0.1(0.004^*)$

| Recommended Soldering Pattern | | | | | | |
|-------------------------------|-------------------|-----|-----|-----|------|-------------|
| XZMDK53W-2 | ◆ AlGaInP(Red) | 645 | 40 | 79 | 120° | Water Clear |
| XZMYK53W-2 | ◆ AlGaInP(Yellow) | 590 | 80 | 148 | 120° | Water Clear |
| XZVG53W-2 | ◆ AlGaInP(Green) | 574 | 20 | 49 | 120° | Water Clear |
| XZDG53W-2 | ◆ InGaN(Green) | 515 | 300 | 597 | 130° | Water Clear |
| XZCBD53W-2 | ◆ InGaN(Blue) | 460 | 40 | 98 | 130° | Water Clear |

1.6x0.8x0.75mm (0603)

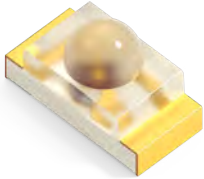
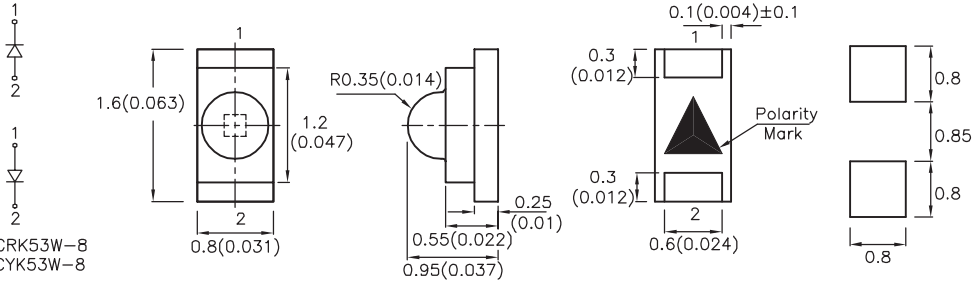
Dimension Unit: mm(inches), Tolerance : $\pm 0.1(0.004^*)$

| Recommended Soldering Pattern | | | | | | |
|-------------------------------|-------------------|-----|-----|-----|------|-------------|
| XZMDK53W-1 | ◆ AlGaInP(Red) | 645 | 40 | 79 | 120° | Water Clear |
| XZM2CRK53W-1 | ◆ AlGaInP(Red) | 640 | 200 | 347 | 120° | Water Clear |
| XZMOK53W-1 | ◆ AlGaInP(Orange) | 610 | 80 | 178 | 120° | Water Clear |
| XZMYK53W-1 | ◆ AlGaInP(Yellow) | 590 | 80 | 148 | 120° | Water Clear |
| XZM2CYK53W-1 | ◆ AlGaInP(Yellow) | 590 | 200 | 317 | 120° | Water Clear |
| XZVG53W-1 | ◆ AlGaInP(Green) | 574 | 20 | 49 | 120° | Water Clear |
| XZM2DG53W-1 | ◆ InGaN(Green) | 520 | 500 | 795 | 130° | Water Clear |
| XZDGK53W-1 | ◆ InGaN(Green) | 515 | 300 | 547 | 130° | Water Clear |
| XZFB53W-1 | ◆ InGaN(Blue) | 465 | 120 | 178 | 130° | Water Clear |
| XZCBD53W-1 | ◆ InGaN(Blue) | 460 | 40 | 98 | 130° | Water Clear |

1. Soldering Pattern Dimension Unit : mm, Tolerance : $\pm 0.1mm$.
 2. Luminous intensity value and wavelength are in accordance with CIE127-2007 standards.
 3. We reserve the right to make changes at any time to enhance the design and / or performance of the product.

| Part Number | Chip Structure (Emitted Color) | λ_{peak} (nm) | Intensity(mcd) $I_f=20mA$ | | Viewing Angle 2 θ 1/2 | Lens |
|-------------|-----------------------------------|-----------------------|------------------------------|------|---------------------------------|------|
| | | | Min. | Typ. | | |

1.6x0.8x0.95mm (0603 Dome Lens)

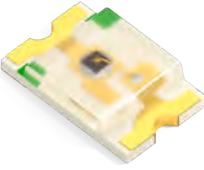
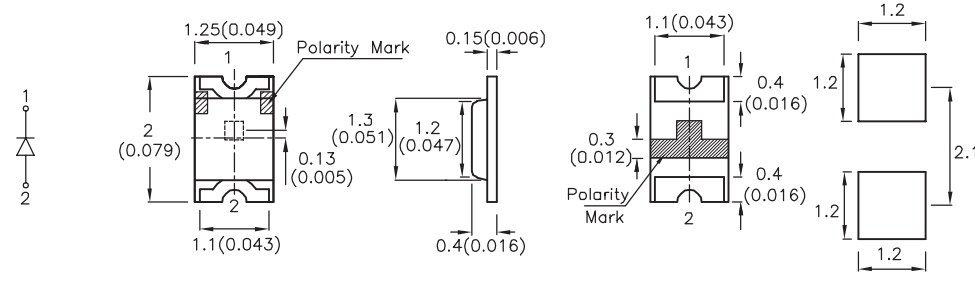



Dimension Unit: mm(inches), Tolerance : $\pm 0.15(0.006^*)$

Recommended Soldering Pattern

| | | | | | | |
|--------------|-------------------|-----|------|------|-----|-------------|
| XZMDK53W-8 | ◆ AlGaInP(Red) | 645 | 80 | 248 | 60° | Water Clear |
| XZM2CRK53W-8 | ◆ AlGaInP(Red) | 640 | 500 | 895 | 60° | Water Clear |
| XZMOK53W-8 | ◆ AlGaInP(Orange) | 610 | 200 | 497 | 60° | Water Clear |
| XZMYK53W-8 | ◆ AlGaInP(Yellow) | 590 | 300 | 597 | 60° | Water Clear |
| XZM2CYK53W-8 | ◆ AlGaInP(Yellow) | 590 | 500 | 845 | 60° | Water Clear |
| XZVG53W-8 | ◆ AlGaInP(Green) | 574 | 80 | 188 | 60° | Water Clear |
| XZM2DG53W-8 | ◆ InGaN(Green) | 520 | 1000 | 1495 | 60° | Water Clear |
| XZDGK53W-8 | ◆ InGaN(Green) | 515 | 700 | 1195 | 60° | Water Clear |
| XZFBBS53W-8 | ◆ InGaN(Blue) | 465 | 200 | 347 | 40° | Water Clear |
| XZCBD53W-8 | ◆ InGaN(Blue) | 460 | 80 | 198 | 40° | Water Clear |

2.0x1.25x0.4mm (0805)

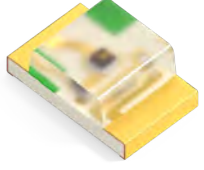
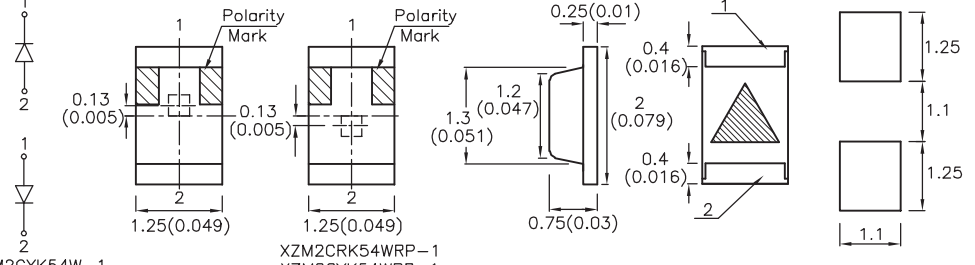



Dimension Unit: mm(inches), Tolerance : $\pm 0.1(0.004^*)$

Recommended Soldering Pattern

| | | | | | | |
|------------|-------------------|-----|----|-----|------|-------------|
| XZMDK54W-4 | ◆ AlGaInP(Red) | 645 | 40 | 79 | 140° | Water Clear |
| XZMOK54W-4 | ◆ AlGaInP(Orange) | 610 | 80 | 178 | 140° | Water Clear |
| XZMYK54W-4 | ◆ AlGaInP(Yellow) | 590 | 80 | 148 | 140° | Water Clear |
| XZVG54W-4 | ◆ AlGaInP(Green) | 574 | 20 | 49 | 140° | Water Clear |
| XZCBD54W-4 | ◆ InGaN(Blue) | 460 | 40 | 98 | 140° | Water Clear |

2.0x1.25x0.75mm (0805)

Dimension Unit: mm(inches), Tolerance : $\pm 0.1(0.004^*)$

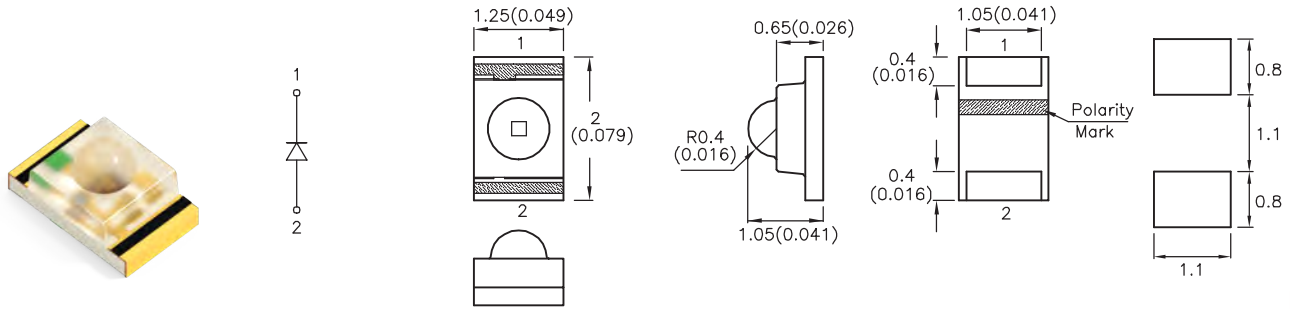
Recommended Soldering Pattern

| | | | | | | |
|----------------|-------------------|-----|-----|-----|------|-------------|
| XZMDK54W-1 | ◆ AlGaInP(Red) | 645 | 40 | 79 | 140° | Water Clear |
| XZM2CRK54WRP-1 | ◆ AlGaInP(Red) | 640 | 200 | 347 | 140° | Water Clear |
| XZMOK54W-1 | ◆ AlGaInP(Orange) | 610 | 80 | 178 | 140° | Water Clear |
| XZMYK54W-1 | ◆ AlGaInP(Yellow) | 590 | 80 | 148 | 140° | Water Clear |
| XZM2CYK54W-1 | ◆ AlGaInP(Yellow) | 590 | 200 | 317 | 140° | Water Clear |
| XZM2CYK54WRP-1 | ◆ AlGaInP(Yellow) | 590 | 200 | 317 | 140° | Water Clear |
| XZVG54W-1 | ◆ AlGaInP(Green) | 574 | 20 | 49 | 140° | Water Clear |
| XZDGK54W-1 | ◆ InGaN(Green) | 515 | 300 | 547 | 140° | Water Clear |
| XZFBBS4W-1 | ◆ InGaN(Blue) | 465 | 120 | 178 | 140° | Water Clear |
| XZCBD54W-1 | ◆ InGaN(Blue) | 460 | 40 | 98 | 140° | Water Clear |

1. Soldering Pattern Dimension Unit : mm, Tolerance : $\pm 0.1mm$.
 2. Luminous intensity value and wavelength are in accordance with CIE127-2007 standards.
 3. We reserve the right to make changes at any time to enhance the design and / or performance of the product.

| Part Number | Chip Structure (Emitted Color) | λ_{peak} (nm) | Intensity(mcd) $I_f=20mA$ | | Viewing Angle 2 θ 1/2 | Lens |
|-------------|-----------------------------------|-----------------------|------------------------------|------|---------------------------------|------|
| | | | Min. | Typ. | | |

**2.0x1.25x1.05mm
(0805)**

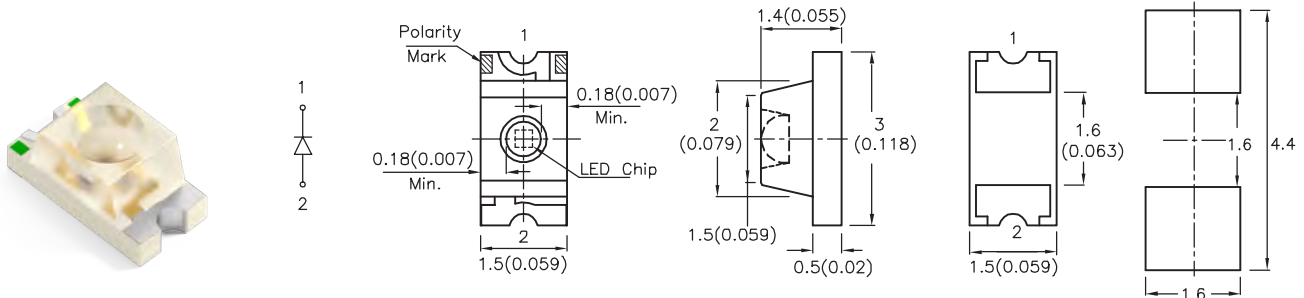


Dimension Unit: mm(inches), Tolerance : $\pm 0.15(0.006")$

Recommended Soldering Pattern

| | | | | | | |
|---------------|----------------|-----|------|------|-----|-------------|
| XZMDK54W-8 | ◆ AlGaInP(Red) | 645 | 300 | 547 | 40° | Water Clear |
| XZM2CRK54WA-8 | ◆ AlGaInP(Red) | 640 | 1000 | 1990 | 40° | Water Clear |
| XZDGK54W-8 | ◆ InGaN(Green) | 515 | 1600 | 2490 | 30° | Water Clear |

**3.0x1.5x1.4mm
(Inner Dome Lens)**

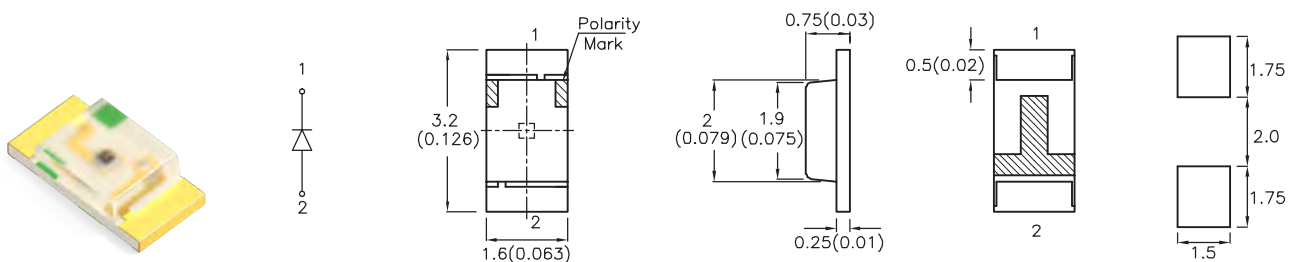


Dimension Unit: mm(inches), Tolerance: $\pm 0.2(0.008")$

Recommended Soldering Pattern

| | | | | | | |
|----------|-------------------|-----|-----|-----|-----|-------------|
| XZMDK60W | ◆ AlGaInP(Red) | 645 | 120 | 178 | 70° | Water Clear |
| XZMYK60W | ◆ AlGaInP(Yellow) | 590 | 200 | 347 | 70° | Water Clear |
| XZVG60W | ◆ AlGaInP(Green) | 574 | 55 | 118 | 70° | Water Clear |

**3.2x1.6x0.75mm
(1206)**



Dimension Unit: mm(inches), Tolerance : $\pm 0.2(0.008")$

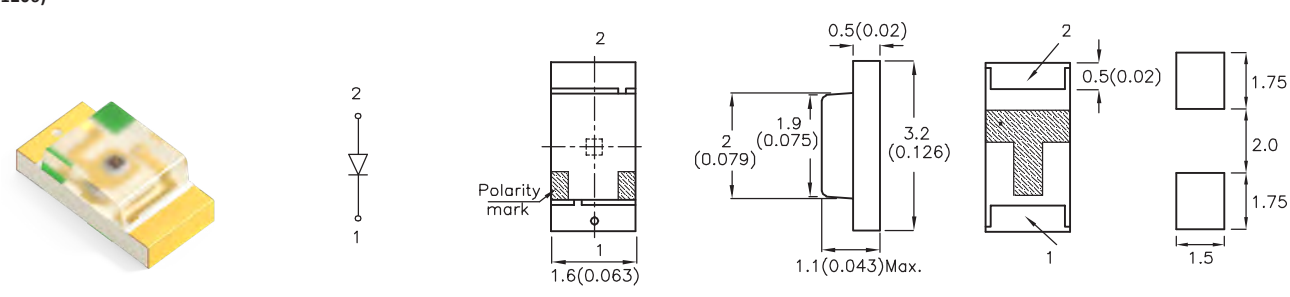
Recommended Soldering Pattern

| | | | | | | |
|------------|-------------------|-----|----|-----|------|-------------|
| XZMDK55W-1 | ◆ AlGaInP(Red) | 645 | 40 | 79 | 140° | Water Clear |
| XZMOK55W-1 | ◆ AlGaInP(Orange) | 610 | 80 | 178 | 140° | Water Clear |
| XZMYK55W-1 | ◆ AlGaInP(Yellow) | 590 | 80 | 148 | 140° | Water Clear |
| XZVG55W-1 | ◆ AlGaInP(Green) | 574 | 20 | 49 | 140° | Water Clear |
| XZCBD55W-1 | ◆ InGaN(Blue) | 460 | 40 | 98 | 150° | Water Clear |

1. Soldering Pattern Dimension Unit : mm, Tolerance : $\pm 0.1mm$.
 2. Luminous intensity value and wavelength are in accordance with CIE127-2007 standards.
 3. We reserve the right to make changes at any time to enhance the design and / or performance of the product.

| Part Number | Chip Structure (Emitted Color) | λ_{peak} (nm) | Intensity(mcd) $I_f=20mA$ | | Viewing Angle 2 θ /2 | Lens |
|-------------|-----------------------------------|-----------------------|------------------------------|------|--------------------------------|------|
| | | | Min. | Typ. | | |

3.2x1.6x1.1mm (1206)

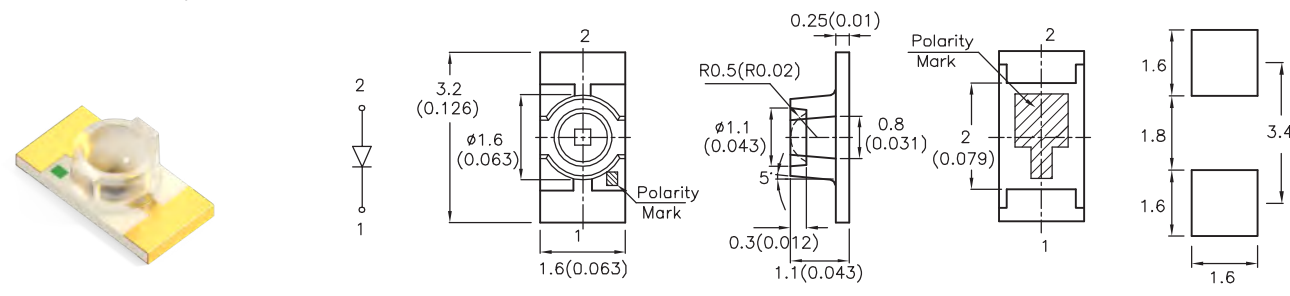


Dimension Unit: mm(inches), Tolerance : $\pm 0.2(0.008)$

Recommended Soldering Pattern

| | | | | | | |
|----------|-------------------|-----|-----|-----|------|-------------|
| XZMDK55W | ◆ AlGaInP(Red) | 645 | 40 | 79 | 140° | Water Clear |
| XZMYK55W | ◆ AlGaInP(Yellow) | 590 | 80 | 148 | 140° | Water Clear |
| XZVG55W | ◆ AlGaInP(Green) | 574 | 20 | 49 | 140° | Water Clear |
| XZDG55W | ◆ InGaN(Green) | 515 | 300 | 597 | 150° | Water Clear |
| XZCBD55W | ◆ InGaN(Blue) | 460 | 40 | 98 | 150° | Water Clear |

3.2x1.6x1.1mm (1206 Inner Dome Lens)

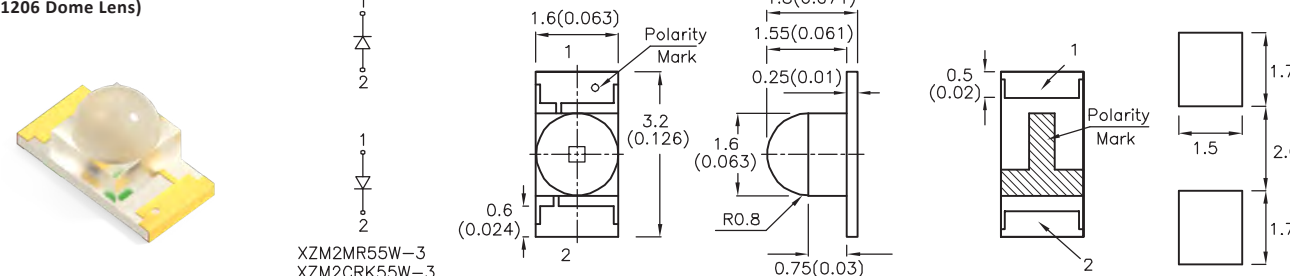


Dimension Unit: mm(inches), Tolerance : $\pm 0.1(0.004)$

Recommended Soldering Pattern

| | | | | | | |
|-------------|-------------------|-----|-----|-----|-----|-------------|
| XZMDK55W-A2 | ◆ AlGaInP(Red) | 645 | 120 | 228 | 80° | Water Clear |
| XZMOK55W-A2 | ◆ AlGaInP(Orange) | 610 | 200 | 347 | 80° | Water Clear |
| XZVG55W-A2 | ◆ AlGaInP(Green) | 574 | 55 | 98 | 80° | Water Clear |

3.2x1.6x1.8mm (1206 Dome Lens)



Dimension Unit: mm(inches), Tolerance : $\pm 0.2(0.008)$

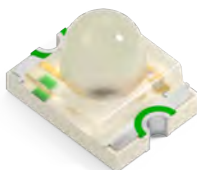
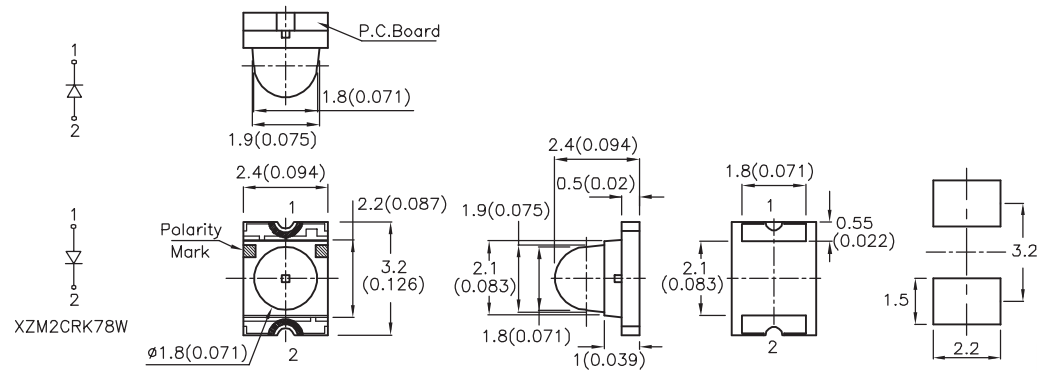
Recommended Soldering Pattern

| | | | | | | |
|--------------|-------------------|-----|------|------|-----|-------------|
| XZM2MR55W-3 | ◆ AlGaInP(Red) | 660 | 700 | 1095 | 40° | Water Clear |
| XZMDK55W-3 | ◆ AlGaInP(Red) | 645 | 300 | 795 | 40° | Water Clear |
| XZM2CRK55W-3 | ◆ AlGaInP(Red) | 640 | 1600 | 2490 | 40° | Water Clear |
| XZMOK55W-3 | ◆ AlGaInP(Orange) | 610 | 500 | 995 | 40° | Water Clear |
| XZMYK55W-3 | ◆ AlGaInP(Yellow) | 590 | 700 | 795 | 40° | Water Clear |
| XZVG55W-3 | ◆ AlGaInP(Green) | 574 | 120 | 297 | 40° | Water Clear |
| XZM2DG55W-3 | ◆ InGaN(Green) | 520 | 3600 | 5990 | 30° | Water Clear |
| XZDGK55W-3 | ◆ InGaN(Green) | 515 | 2700 | 3990 | 30° | Water Clear |
| XZFB55W-3 | ◆ InGaN(Blue) | 465 | 700 | 1195 | 30° | Water Clear |
| XZCBD55W-3 | ◆ InGaN(Blue) | 460 | 300 | 695 | 30° | Water Clear |

1. Soldering Pattern Dimension Unit : mm, Tolerance : $\pm 0.1mm$.
 2. Luminous intensity value and wavelength are in accordance with CIE127-2007 standards.
 3. We reserve the right to make changes at any time to enhance the design and / or performance of the product.

| Part Number | Chip Structure (Emitted Color) | λ_{peak} (nm) | Intensity(mcd) $I_v=20mA, 10mA^*$ | | Viewing Angle 2 θ 1/2 | Lens |
|-------------|-----------------------------------|-----------------------|--------------------------------------|------|---------------------------------|------|
| | | | Min. | Typ. | | |

3.2x2.4x2.4mm (Dome Lens)


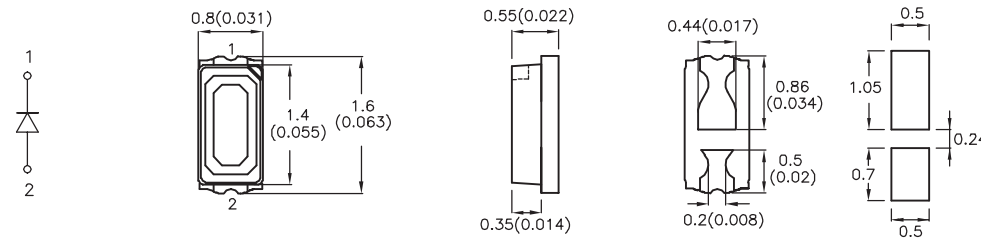



Dimension Unit: mm(inches), Tolerance : $\pm 0.1(0.004)^*$

Recommended Soldering Pattern

| | | | | | | |
|------------|-------------------|-----|------|------|-----|-------------|
| XZMDK78W | ◆ AlGaInP(Red) | 645 | 700 | 1495 | 20° | Water Clear |
| XZM2CRK78W | ◆ AlGaInP(Red) | 640 | 3100 | 4990 | 20° | Water Clear |
| XZMOK78W | ◆ AlGaInP(Orange) | 610 | 1000 | 1590 | 20° | Water Clear |
| XZMYK78W | ◆ AlGaInP(Yellow) | 590 | 1000 | 1295 | 20° | Water Clear |
| XZVG78W | ◆ AlGaInP(Green) | 574 | 500 | 895 | 20° | Water Clear |
| XZDGK78W | ◆ InGaN(Green) | 515 | 3600 | 6790 | 20° | Water Clear |
| XZFB78W | ◆ InGaN(Blue) | 465 | 1600 | 1990 | 20° | Water Clear |
| XZCBD78W | ◆ InGaN(Blue) | 460 | 500 | 895 | 20° | Water Clear |

1.6x0.8x0.55mm (0603 PLCC SMD)


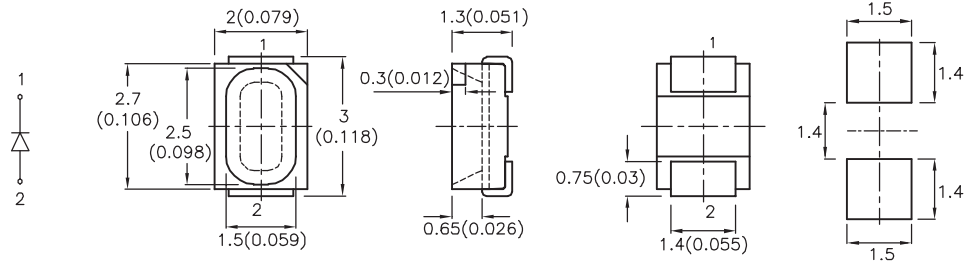



Dimension Unit: mm(inches), Tolerance : $\pm 0.15(0.006)^*$

Recommended Soldering Pattern

| | | | | | | |
|----------------|-------------------|-----|-----|------|------|-------------|
| XZMDK53S-4 | ◆ AlGaInP(Red) | 645 | 40 | 158 | 120° | Water Clear |
| XZMYK53S-4 | ◆ AlGaInP(Yellow) | 590 | 55 | 238 | 120° | Water Clear |
| XZVG53S-4 | ◆ AlGaInP(Green) | 574 | 40 | 79 | 120° | Water Clear |
| XZFB53S10MAV-4 | ◆ InGaN(Blue) | 463 | 50* | 158* | 120° | Water Clear |

3.0x2.0x1.3mm (PLCC2)

Dimension Unit: mm(inches), Tolerance : $\pm 0.2(0.008)^*$



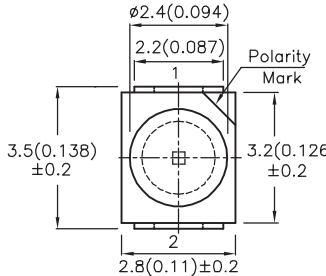
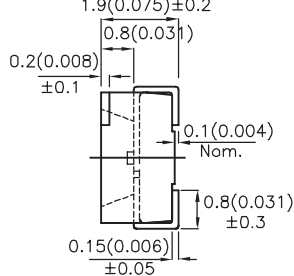
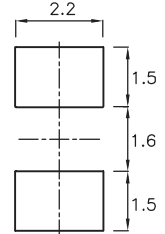
Recommended Soldering Pattern

| | | | | | | |
|-----------|-------------------|-----|-----|-----|------|-------------|
| XZMDK105S | ◆ AlGaInP(Red) | 645 | 40 | 89 | 120° | Water Clear |
| XZMYK105S | ◆ AlGaInP(Yellow) | 590 | 120 | 198 | 120° | Water Clear |
| XZVG105S | ◆ AlGaInP(Green) | 574 | 40 | 79 | 120° | Water Clear |
| XZCBD105S | ◆ InGaN(Blue) | 460 | 80 | 118 | 120° | Water Clear |

1. Soldering Pattern Dimension Unit : mm, Tolerance : $\pm 0.1mm$.
 2. Luminous intensity value and wavelength are in accordance with CIE127-2007 standards.
 3. We reserve the right to make changes at any time to enhance the design and / or performance of the product.

| Part Number | Chip Structure (Emitted Color) | λ_{peak} (nm) | Intensity(mcd) $I_f=20mA$ | | Viewing Angle 2 θ 1/2 | Lens |
|-------------|-----------------------------------|-----------------------|------------------------------|------|---------------------------------|------|
| | | | Min. | Typ. | | |

3.5x2.8x1.9mm (PLCC2)

Dimension Unit: mm(inches), Tolerance : ±0.25(0.01")

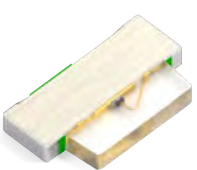

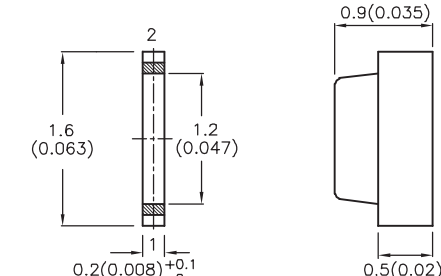
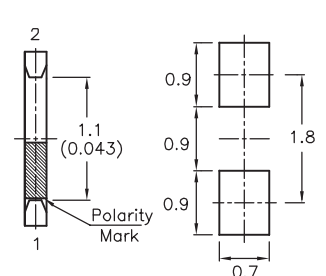
Recommended Soldering Pattern

| | | | | | | |
|-----------|-------------------|-----|-----|-----|------|-------------|
| XZMDK45WT | ◆ AlGaInP(Red) | 645 | 55 | 98 | 120° | Water Clear |
| XZMOK45WT | ◆ AlGaInP(Orange) | 610 | 120 | 228 | 120° | Water Clear |
| XZMYK45WT | ◆ AlGaInP(Yellow) | 590 | 120 | 248 | 120° | Water Clear |
| XZVG45WT | ◆ AlGaInP(Green) | 574 | 40 | 98 | 120° | Water Clear |
| XZDGK45WT | ◆ InGaN(Green) | 515 | 500 | 995 | 120° | Water Clear |
| XZFB45S | ◆ InGaN(Blue) | 465 | 300 | 447 | 120° | Water Clear |
| XZCBD45S | ◆ InGaN(Blue) | 460 | 80 | 148 | 120° | Water Clear |

SIDE EMITTING

| Part Number | Chip Structure (Emitted Color) | λ_{peak} (nm) | Intensity(mcd) $I_f=20mA$ | | Viewing Angle 2 θ 1/2 | Lens |
|-------------|-----------------------------------|-----------------------|------------------------------|------|---------------------------------|------|
| | | | Min. | Typ. | | |

1.6x0.9x0.2mm (Super Thin Right Angle)



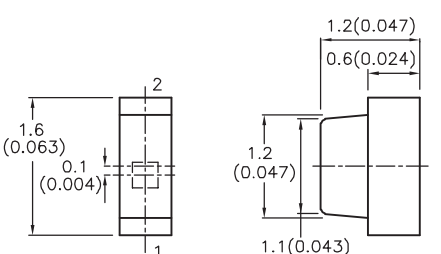
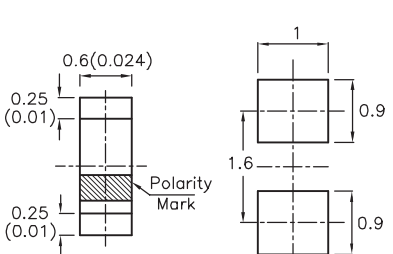





Dimension Unit: mm(inches), Tolerance : ±0.1(0.004")

Recommended Soldering Pattern

| | | | | | | |
|----------|------------------|-----|----|----|------|-------------|
| XZVG151W | ◆ AlGaInP(Green) | 573 | 12 | 29 | 150° | Water Clear |
|----------|------------------|-----|----|----|------|-------------|

1.6x1.2x0.6mm (Right Angle)

Dimension Unit: mm(inches), Tolerance : ±0.1(0.004")

Recommended Soldering Pattern

| | | | | | | |
|----------|-------------------|-----|----|-----|------|-------------|
| XZMDK87W | ◆ AlGaInP(Red) | 645 | 40 | 79 | 110° | Water Clear |
| XZMOK87W | ◆ AlGaInP(Orange) | 610 | 80 | 178 | 110° | Water Clear |
| XZMYK87W | ◆ AlGaInP(Yellow) | 590 | 80 | 148 | 110° | Water Clear |
| XZVG87W | ◆ AlGaInP(Green) | 574 | 20 | 49 | 110° | Water Clear |
| XZCBD87W | ◆ InGaN(Blue) | 460 | 40 | 79 | 110° | Water Clear |

1. Soldering Pattern Dimension Unit : mm, Tolerance : ±0.1mm.
 2. Luminous intensity value and wavelength are in accordance with CIE127-2007 standards.
 3. We reserve the right to make changes at any time to enhance the design and / or performance of the product.