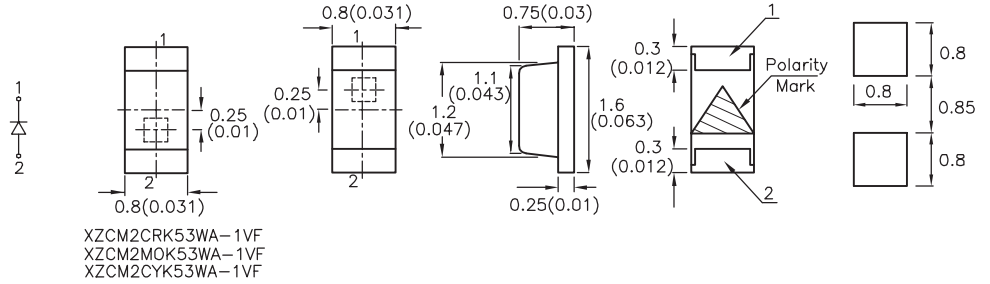
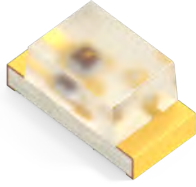


Part Number	Chip Structure (Emitted Color)	λ_{peak} (nm)	Intensity(mcd) $I_f=2mA$		Viewing Angle 2 θ /2	Lens
			Min.	Typ.		

**1.6x0.8x0.75mm
(0603)**



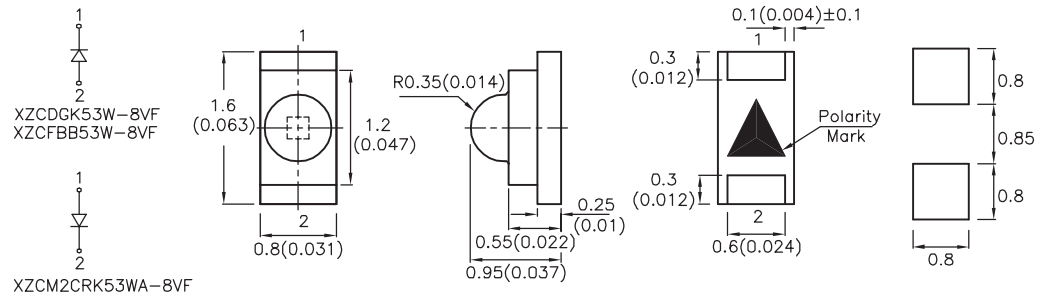
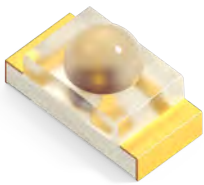
PRODUCT HIGHLIGHT

Dimension Unit: mm(inches), Tolerance : $\pm 0.1(0.004)$ "

Recommended Soldering Pattern

XZCM2CRK53WA-1VF	◆ AlGaInP(Red)	640	20	39	120°	Water Clear
XZCM2MOK53WA-1VF	◆ AlGaInP(Orange)	611	30	49	120°	Water Clear
XZCM2CYK53WA-1VF	◆ AlGaInP(Yellow)	590	15	24	120°	Water Clear
XZCDGK53W-1VF	◆ InGaN(Green)	515	50	98	130°	Water Clear
XZCFBB53W-1VF	◆ InGaN(Blue)	465	15	23	130°	Water Clear

**1.6x0.8x0.95mm
(0603 Dome Lens)**



Dimension Unit: mm(inches), Tolerance : $\pm 0.15(0.006)$ "

Recommended Soldering Pattern

XZCM2CRK53WA-8VF	◆ AlGaInP(Red)	640	50	118	60°	Water Clear
XZCDGK53W-8VF	◆ InGaN(Green)	515	250	417	60°	Water Clear
XZCFBB53W-8VF	◆ InGaN(Blue)	465	30	64	40°	Water Clear



XZCxxx53Wx-1VF - Ultra-Bright Low-Current SMD LED Series **PRODUCT HIGHLIGHT**

SunLED launches 0603 ultra-bright low-current series for the next generation of designs. Low-current LEDs have been utilized as engineers continue to design more portable battery-powered devices with limitations on power consumption. These high-performance LEDs use ultra-bright chips while only requiring a 2 mA forward current. This series gives engineers the benefit of over 90% power reduction compared to standard LEDs while maintaining high brightness output. This 0603 series will be available in red, orange, yellow, green, and blue.

PRODUCT APPLICATIONS

- Wearable electronics
- Mobile and handheld devices
- Battery-powered devices
- Consumer devices
- Medical and healthcare
- Instrumentation
- Safety and security

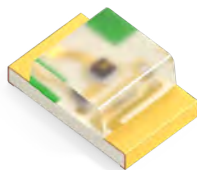
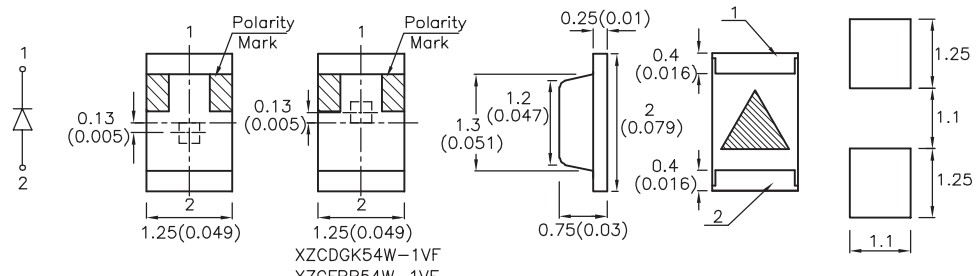
PRODUCT FEATURES

- Low current operation: $I_f=2mA$
- Low forward voltages
- Wide viewing angle: 120° to 130°
- Industry standard 0603 (1.6 mm x 0.8 mm) footprint
- Moisture sensitivity level (MSL): 3

1. Soldering Pattern Dimension Unit : mm, Tolerance : $\pm 0.1mm$.
 2. Luminous intensity value and wavelength are in accordance with CIE127-2007 standards.
 3. We reserve the right to make changes at any time to enhance the design and / or performance of the product.

Part Number	Chip Structure (Emitted Color)	λ_{peak} (nm)	Intensity(mcd) $I_f=2mA$		Viewing Angle 2 θ 1/2	Lens
			Min.	Typ.		

2.0x1.25x0.75mm (0805)

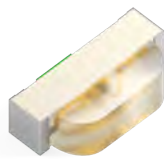
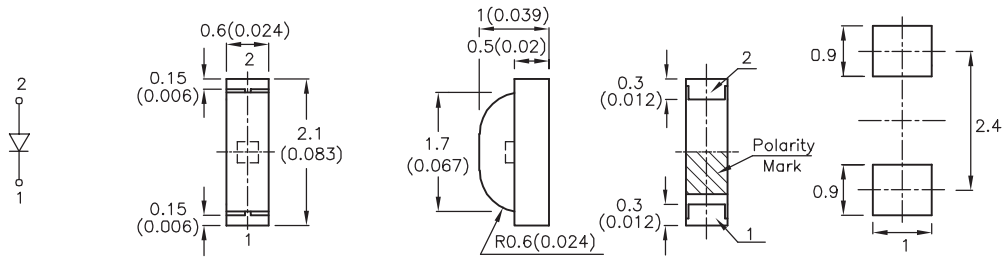



Dimension Unit: mm(inches), Tolerance : $\pm 0.1(0.004)$

XZCDGK54W-1VF
XZCFBB54W-1VF

Part Number	Chip Structure (Emitted Color)	λ_{peak} (nm)	Min. Intensity (mcd)	Typ. Intensity (mcd)	Viewing Angle	Recommended Soldering Pattern
XZCM2CRK54WA-1VF	AlGaInP (Red)	640	20	39	140°	Water Clear
XZCM2MOK54WA-1VF	AlGaInP (Orange)	611	30	49	140°	Water Clear
XZCM2CYK54WA-1VF	AlGaInP (Yellow)	590	15	24	140°	Water Clear
XZCDGK54W-1VF	InGaN (Green)	515	50	98	140°	Water Clear
XZCFBB54W-1VF	InGaN (Blue)	465	15	23	140°	Water Clear

2.1x1.0x0.6mm (Right Angle)

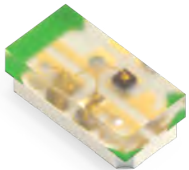
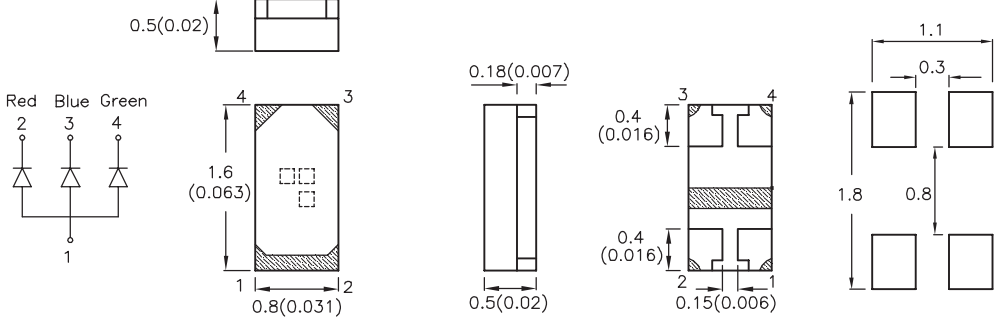



Dimension Unit: mm(inches), Tolerance : $\pm 0.1(0.004)$

Recommended Soldering Pattern

XZCFBB74W-3VU	InGaN (Blue)	465	10	19	170°	Water Clear
---------------	--------------	-----	----	----	------	-------------

1.6x0.8x0.5mm (Full Color)

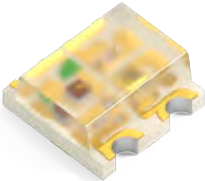
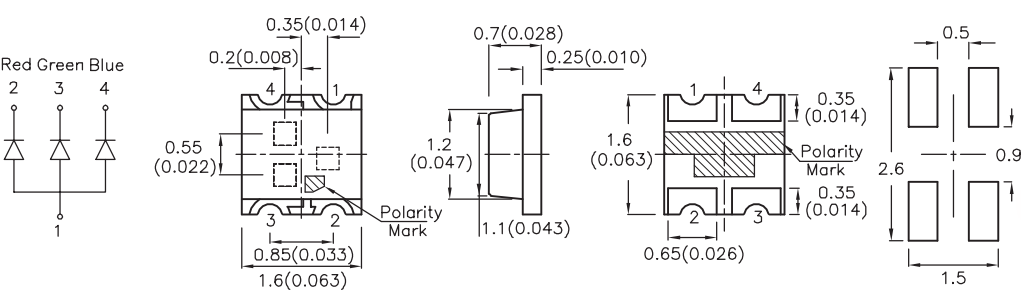



Dimension Unit: mm(inches), Tolerance : $\pm 0.15(0.006)$

Recommended Soldering Pattern

XZCMCEBDDGK53W	AlGaInP (Red)	630	4	14	140°	Water Clear
	InGaN (Blue)	460	4	9		
	InGaN (Green)	515	50	89		

1.6x1.6x0.7mm (Full Color)

Dimension Unit: mm(inches), Tolerance : $\pm 0.2(0.008)$

Recommended Soldering Pattern

XZCMEDGCB110W	AlGaInP (Red)	630	6	14	130°	Water Clear
	InGaN (Green)	515	20	49		
	InGaN (Blue)	460	6	13		

1. Soldering Pattern Dimension Unit : mm, Tolerance : $\pm 0.1mm$.
 2. Luminous intensity value and wavelength are in accordance with CIE127-2007 standards.
 3. We reserve the right to make changes at any time to enhance the design and / or performance of the product.