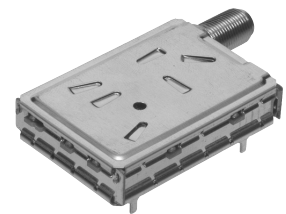


Digital Terrestrial Broadcasting TV Tuner

TDQ□ Series



Both of the digital terrestrial broadcasting and analogue reception functions are integrated. Achieved compact and low-profile, dimensions of 55×38×13mm (Volume :27ml).

Applications

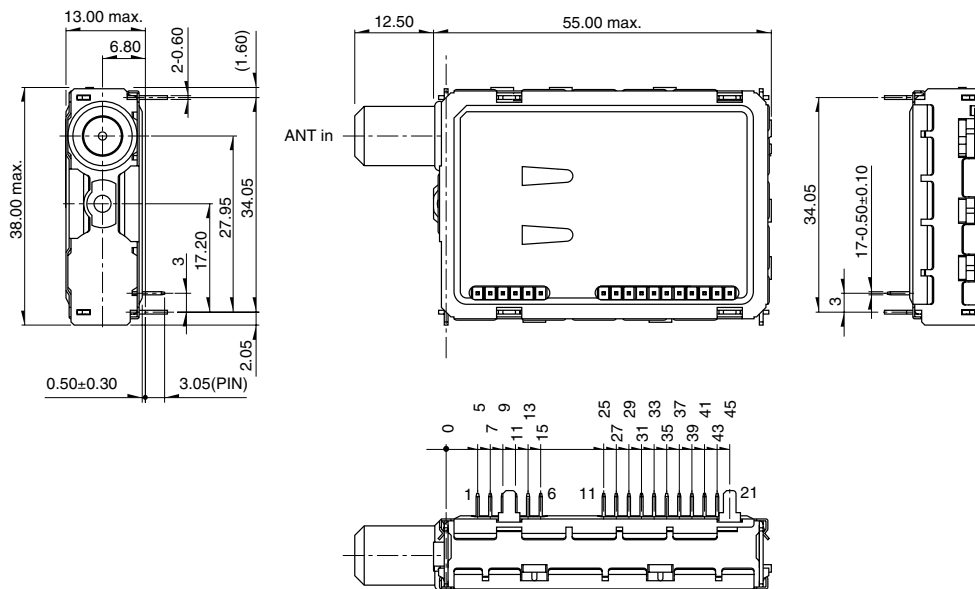
For receiving digital broadcasts (TV, DVD recorder, VCR, Set top box, PC)

Typical Specifications

| Item | Model | U.K. | Europe | U.S.A. | Japan |
|-------------------------------|----------------|------------|----------------------------------|---------------------------------|---------------------------------|
| | TDQB | TDQB | TDQD | TDQU | TDQN |
| Input frequency range | | 470~862MHz | UHF 470~862MHz VHF 174~230MHz | UHF 426~864MHz VHF 54~426MHz | UHF 470~770MHz VHF 90~468MHz |
| Input return loss | 10dB typ. | | | | |
| Image rejection | 60dB typ. | | | | |
| Output center frequency | 36.1666MHz | | | 44.0MHz | 57.0MHz |
| IF band width | 7.6MHz | 6.7/7.6MHz | | 5.4MHz | 5.5MHz |
| Phase noise (at 10kHz offset) | -90dBc/Hz typ. | | | | |
| Noise figure | 7dB typ. | | | | |
| Output impedance | 150Ω | | 200Ω | | 150Ω |

Dimensions

Unit:mm



Terminal Assignment (NTSC)

| No. | Name |
|-----|------------------|
| 1 | N/C |
| 2 | B1 (+5V) |
| 3 | N/C |
| 4 | N/C |
| 5 | N/C (RF AGC) |
| 6 | N/C |
| 7 | |
| 8 | |
| 9 | |
| 10 | |
| 11 | TU |
| 12 | Ground |
| 13 | N/C |
| 14 | SCL |
| 15 | SDA |
| 16 | AS |
| 17 | N/C or Analog IF |
| 18 | IF AGC |
| 19 | N/C |
| 20 | IF OUT 2 |
| 21 | IF OUT 1 |

Terminal Assignment (PAL)

| No. | Name |
|-----|------------------|
| 1 | ANT Power |
| 2 | B1 (+5V) |
| 3 | N/C |
| 4 | N/C |
| 5 | N/C (RF AGC) |
| 6 | N/C |
| 7 | |
| 8 | |
| 9 | |
| 10 | |
| 11 | TU |
| 12 | Ground |
| 13 | N/C |
| 14 | SCL |
| 15 | SDA |
| 16 | AS |
| 17 | N/C or Analog IF |
| 18 | IF AGC |
| 19 | X-tal out |
| 20 | IF OUT 2 |
| 21 | IF OUT 1 |

Operating Precautions

- Unless specifically indicated otherwise, this product has been designed and manufactured for use in ordinary electronic equipment and devices, such as AV equipment, electric home appliances, office machines, and communications equipment. Equipment manufacturers are consequently advised that when these products are planned for equipment that requires a high degree of safety and reliability, especially those apparatuses like medical equipment, aviation and aircraft equipment, space equipment, and burglar alarm equipment, the manufacturers should assure equipment safety by providing protection circuits and redundant circuitry and should fully study the suitability of such products for the intended equipment.
- Specification indicated in this catalog is outline only. When employing the product, use of an officially authorized specification for supply contract is recommended.
- The external appearance, performances, and other properties of the product may be changed for improvement without prior notice.
- Names for products and companies and titles of specifications indicated in this catalogue are mostly trademarks or registered trademarks of their respective owners.
- Please contact us for any enquiries and queries on our products and their uses.
- This catalog is valid till the end of December 2005.

Inquiries about Products

Products Information Center +81 (3) 5499-8154
Products Catalog Site <http://www3.alps.co.jp>

ALPS®

ALPS ELECTRIC CO., LTD.
1-7, Yukigaya-otsuka-cho, Ota-ku, Tokyo, 145-8501