

Connector for microSD™ Card

Standard mount SCHA1B Series
Reverse mount SCHA2B Series

ALPS®

New
2006

14mm×16mm (Standard mount)

The industry's smallest class mounting dimensions.

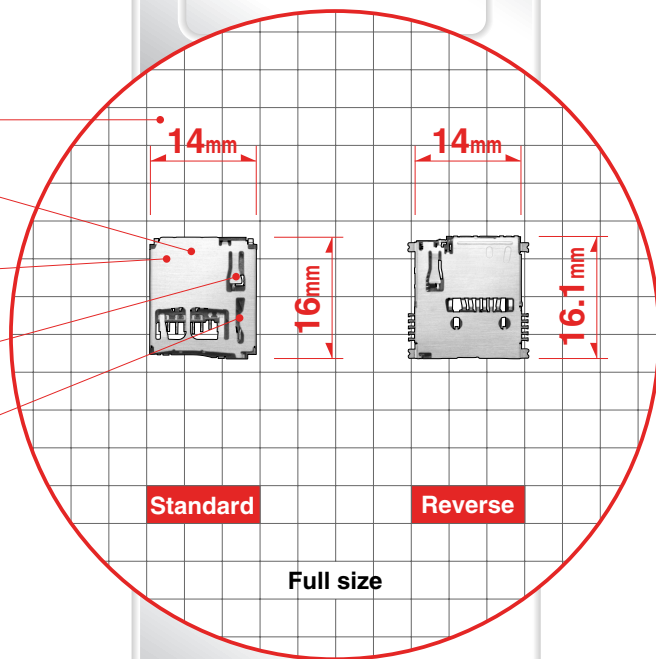
The industry's smallest class mounting dimensions

Equipped with sliding media detection switch

Robust structure

Card push-push feature

High card lock retention



Highly reliable type that meets the needs of multifunctional mobile devices with high-precision processing technology.

- Achievement of clearly defined click and good operation feeling.
- Card detection switch ensures high reliability.
- Push-push type for excellent operability.
- Eject stroke: 2.8mm (Standard mount), 2.85mm (Reverse mount).



Standard mount

SCHA1B Series



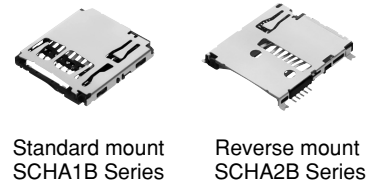
Reverse mount

SCHA2B Series

We offer a new function application for Personal Digital Assistants.

Connector for microSD™ Card

Standard mount SCHA1B Series
Reverse mount SCHA2B Series



Standard mount
SCHA1B Series

Reverse mount
SCHA2B Series

Our highly reliable lineup contributes to the enhancement of set design flexibility.

Applications

Mobile phones, Personal Digital Assistants, etc.

Products List

Product No.	Media ejection	Mounting system	Features
SCHA1A0101	Push-push type	Standard mount	Without switch
New SCHA1B0100			With switch
New SCHA2B0300		Reverse mount	
SCHB1A0201	Manual couple/decouple type	Standard mount	Hinge cover type
SCHC1A0200			Adaptor

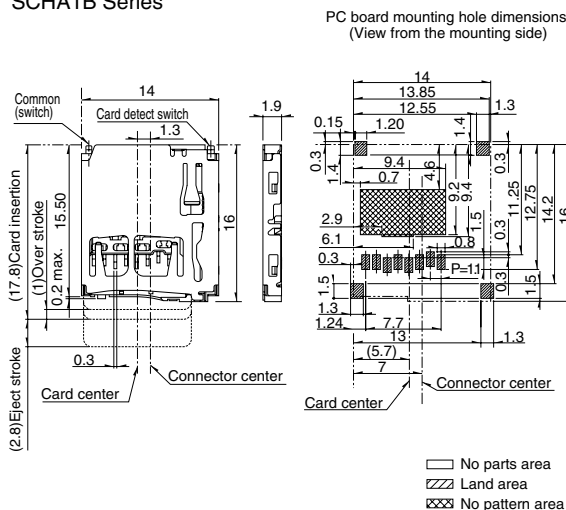
Typical Specifications(SCHA1B, SCHA2B)

Structure	Specifications
Applicable media	microSD™ Card
Dimensions (W×D×H)	14×16×1.9mm (Standard mount) 14×16.1×1.9mm (Reverse mount)
Mounting method	Surface mounting type
Mounting system	Standard mount/Reverse mount
Media ejection structure	Push-push type

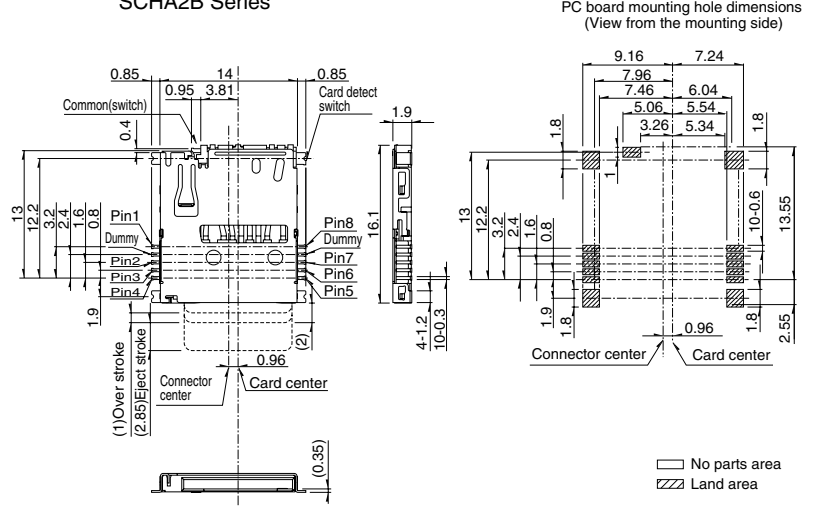
Performance	Specifications
Operating temperature range	-20°C to +70°C
Voltage proof	500V AC 1 minute
Insulation resistance (Initial)	1,000MΩ min.
Contact resistance (Initial)	100mΩ max. (Detection switch 500mΩ max.)
Mating and unmating cycles	5,000 cycles

Dimensions

Standard mount SCHA1B Series



Reverse mount SCHA2B Series



Cautions for Use

1. Specification indicated in this catalog is outline only. When employing the product, use of an officially authorized specification for supply contract is recommended.
2. Unless specifically indicated otherwise, products in this catalog have been designed and manufactured for use in ordinary electronic equipment and devices, such as AV equipment, electric home appliances, office machines, and communications equipment. Equipment manufacturers are consequently advised that when these products are planned for equipment that requires a high degree of safety and reliability, especially those apparatuses like medical equipment, aviation and aircraft equipment, space equipment, and burglar alarm equipment, the manufacturers should assure equipment safety by providing protection circuits and redundant circuitry and should fully study the suitability of such products for the intended equipment.
3. The external appearance, performances, and other properties of the product may be changed for improvement without prior notice. The product introduced in this catalog may discontinue being produced without prior notice.
4. microSD card is a trademark of SD Association.
5. All product names, company names and names of standards described in this catalog are trademarks or registered trademarks of their respective owners.
6. Please contact us for any enquiries and queries on our products and their uses.
7. This catalog is valid till the end of December 2006.

Inquiries about Products

Products Information Center +81 (3) 5499-8154
Products Catalog Site <http://www3.alps.co.jp>

ALPS
ALPS ELECTRIC CO., LTD.
1-7, Yukigaya-otsuka-cho, Ota-ku, Tokyo, 145-8501