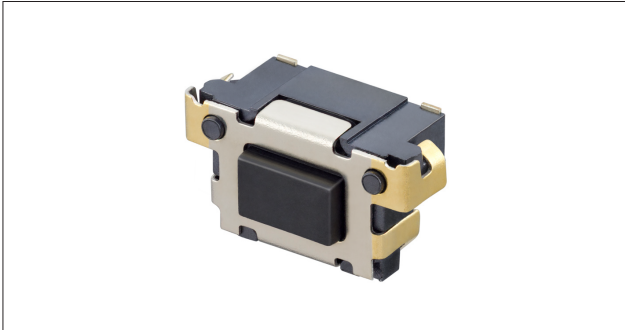


# TACT Switch™ - Sidepush™ (Mid-Mount)

NEW  
2011

SKSN Series

## Mid-mount solution with height of 1.35mm above the PCB



### Features

- Low profile with height of 1.35mm above the PCB (with 0.8mm-thick PCBs)
- Realizes high solder strength for impact resistance
- Excellent operating feel achieved with stem designed to directly press down the dome spring
- Dust protection for a reliable contact

### Applications

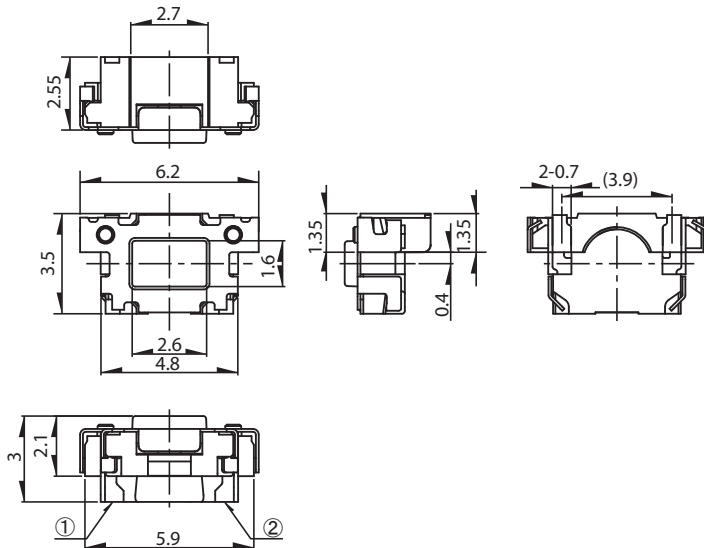
- Portable audio players and mobile phones
- Healthcare products (blood glucose meters, etc.)
- Remote keyless entry (RKE) systems
- Side switches for ever smaller, lighter digital equipment

### Typical Specifications

Items	Specifications
Operating force	2.4 N
Travel	0.2 mm
Operating life	500,000 cycles
Current rating	50 mA 12 V DC
Contact resistance	100 mΩ max.

### Dimensions

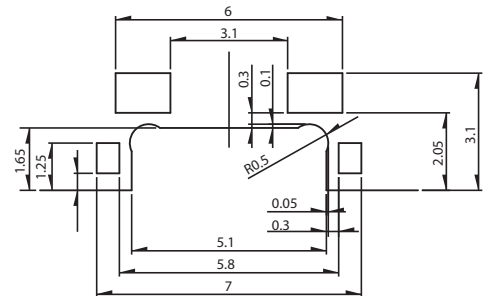
Unit: mm



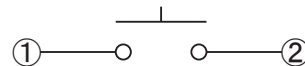
### PCB Mounting Dimensions

(Viewed from switch mounting face)

Unit: mm



### Circuit Diagram



### Precautions when handling our products

1. For the export of products which are controlled items subject to foreign and domestic export laws and regulations, you must obtain approval and/or follow the formalities of such laws and regulations.
2. Products must not be used for military and/or antisocial purposes such as terrorism, and shall not be supplied to any party intending to use the products for such purposes.
3. Unless provided for otherwise, the products have been designed and manufactured for application in equipment and devices which are sold to end users in the market, including audio-visual (AV) equipment, electrical home appliances, office machines, information and communication equipment, and amusement equipment. The products are not intended for use in, and must not be used for, any application for nuclear equipment, driving equipment for aerospace or any other unauthorized use.  
With the exception of the abovementioned prohibited applications, please contact an Alps sales representative and/or evaluate the total system regarding applicability for applications involving high levels of safety and liability such as medical equipment, burglar alarm equipment, disaster prevention equipment and undersea equipment. Please also incorporate fail-safe design, protection and redundant circuitry, malfunction protection, and/or fire protection into the complete system to ensure safety and reliability of the total system.
4. Before using products which were not specifically designed for use in automotive applications, please contact an Alps sales representative.

### Cautions for using this catalog

1. The specifications herein are an overview of the specifications. Obtain official specifications before use.
2. The colors of the products in the catalog may slightly differ from those of the actual products.
3. The external appearance, functions and other specifications herein may be discontinued without prior notice.
4. TACT Switch and Sidepush are trademark or registered trademark of ALPS ELECTRIC CO., Ltd.
5. All product names, company names and names of standards described in this catalog are trademarks or registered trademarks of their respective owners.
6. The contents of this catalog are according to Alps Electric as of September 2011.
7. This catalog is valid until December 31, 2011.

### Inquiries about this product

Product Information Center  
+81 (3) 5499-8154  
Product Information URL  
<http://www.alps.com/products/e/>

**ALPS ELECTRIC CO., LTD.**  
1-7, Yukigaya-otsukamachi, Ota-ku, Tokyo, 145-8501, Japan