

# Magnetic Rotary Sensor

NEW  
2013

RDCC0 Series

## Non-Contact Magnetic Rotary Sensor Achieving High Precision and Long Life



### Features

- Use of magnetic element enables high-precision, non-contact detection
- Long operating life of 10 million cycles
- Screw holes and connector terminal for easy installation

### Applications

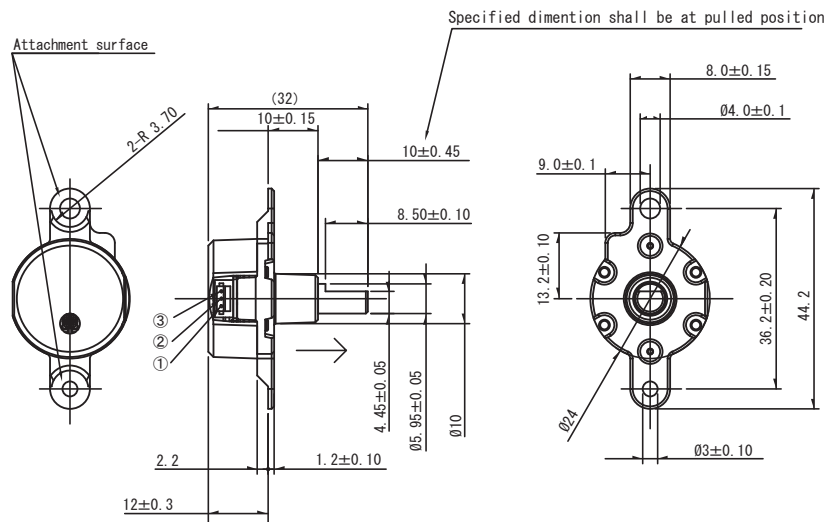
- Sewing machine pedals
- Foot controllers for musical instruments, amusement machines and dental chairs
- Other angle detection mechanisms for industrial equipment

### Typical Specifications

Dimensions (diameter × D)	24mm diam. (excl. screw hole section) × 32mm (incl. shaft)
Mechanical angle of rotation	360°
Electrical angle	±15°
Linearity	±2%
Rated voltage	5V
Output voltage range	0.3 - 4.3V
Operating temperature range	0 to 50°C

### Dimensions

Unit:mm



### Precautions when handling our products

1. For the export of products which are controlled items subject to foreign and domestic export laws and regulations, you must obtain approval and/or follow the formalities of such laws and regulations.
2. Products must not be used for military and/or antisocial purposes such as terrorism, and shall not be supplied to any party intending to use the products for such purposes.
3. Unless provided for otherwise, the products have been designed and manufactured for application in equipment and devices which are sold to end users in the market, including audio-visual (AV) equipment, electrical home appliances, office machines, information and communication equipment, and amusement equipment. The products are not intended for use in, and must not be used for, any application for nuclear equipment, driving equipment for aerospace or any other unauthorized use. With the exception of the abovementioned prohibited applications, please contact an Alps sales representative and/or evaluate the total system regarding applicability for applications involving high levels of safety and liability such as medical equipment, burglar alarm equipment, disaster prevention equipment and undersea equipment. Please also incorporate fail-safe design, protection and redundant circuitry, malfunction protection, and/or fire protection into the complete system to ensure safety and reliability of the total system.
4. Before using products which were not specifically designed for use in automotive applications, please contact an Alps sales representative.

### Inquiries about this product

Product Information Center  
+81 (3) 5499-8154  
Product Information URL  
<http://www.alps.com/products/e/>

**ALPS ELECTRIC CO., LTD.**  
1-7, Yukigaya-otsukamachi, Ota-ku, Tokyo, 145-8501, Japan

### Cautions for using this catalog

1. The specifications herein are an overview of the specifications. Obtain official specifications before use.
2. The colors of the products in the catalog may slightly differ from those of the actual products.
3. The external appearance, functions and other specifications herein may be changed for improvement and other reasons without prior notice. Furthermore, the products herein may be discontinued without prior notice.
4. SENSORING is a trademark of ALPS ELECTRIC CO., LTD. in Japan.
5. All product names, company names and names of standards described in this catalog are trademarks or registered trademarks of their respective owners.
6. The contents of this catalog are according to Alps Electric as of F August 2013.
7. This catalog is valid until the end of December 31, 2013.