

New Product Introduction

October 12, 2010

Passive Infrared Motion Sensor - PaPIRs

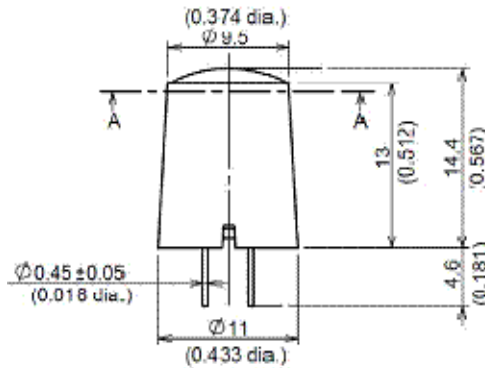
New EKMB & EKMC Series



FEATURES:

- **Low Current Consumption**
 - EKMB (1, 2, 6 μ A)
- **Standard Current Consumption**
 - EKMC (170 μ A)

- **Standard Profile Design w/ 5m Detection Range**



- **Smooth Surface & Low Curvature Lens For Streamlined Product Designs**

- **3 Color Options**

- White
- Black
- Pearl White

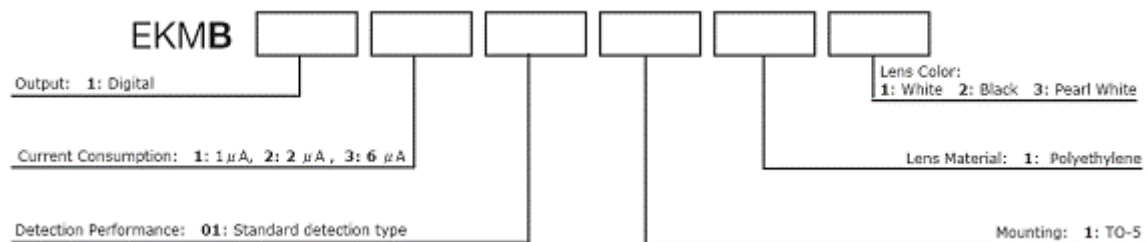
APPLICATIONS:

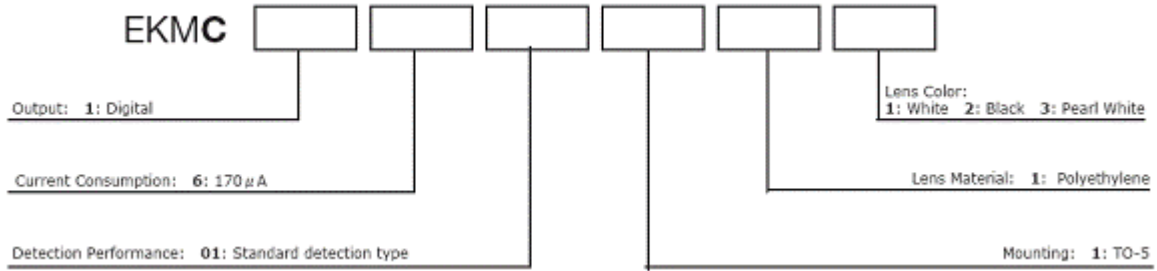
- Battery Powered and Wireless Applications
- Lighting (Commercial and Residential)
- Home Automation Control Panels
- Security Sensors and Cameras
- Video Intercoms
- Vending Machines

RELEASE SCHEDULE:

- Available October 2010

ORDERING INFORMATION:





MORE INFORMATION:

PDF datasheets are attached.

Product Specific URL: <http://pewa.panasonic.com/components/built-in-sensors/passive-infrared-sensors/>

Please contact your local Panasonic Electric Works [sales representatives](#) with any questions.

(Reference No: M-PaPIRs1010)