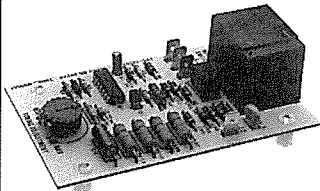




# Solid State Timers and Controllers

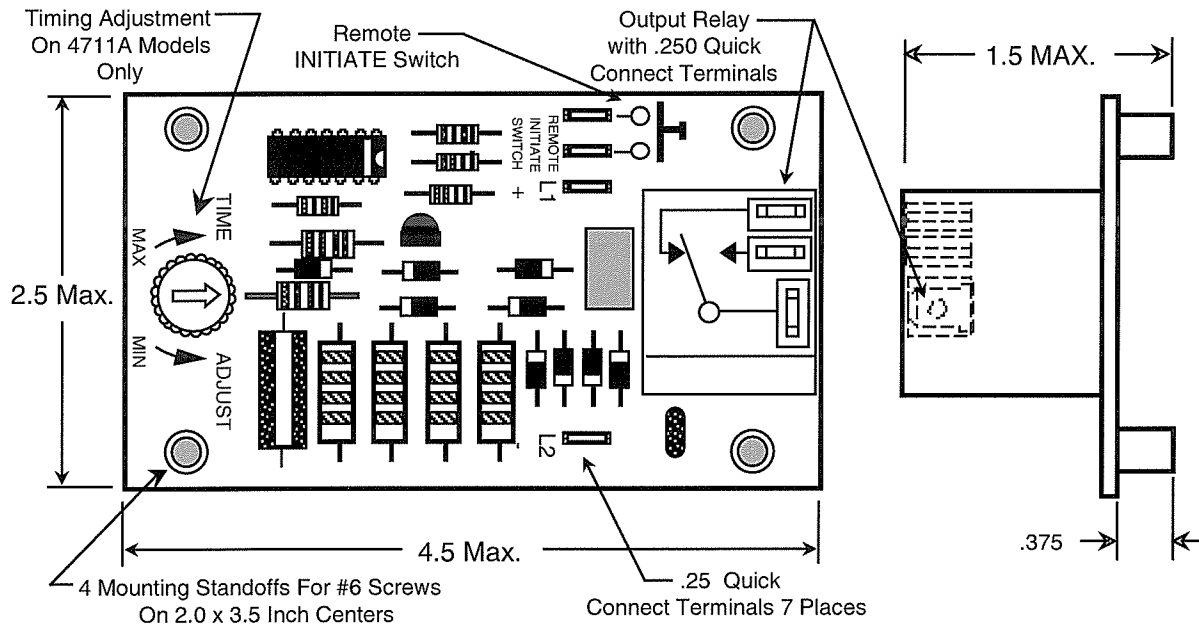
## 4711

## Delay-On-Break Time Delay Relay



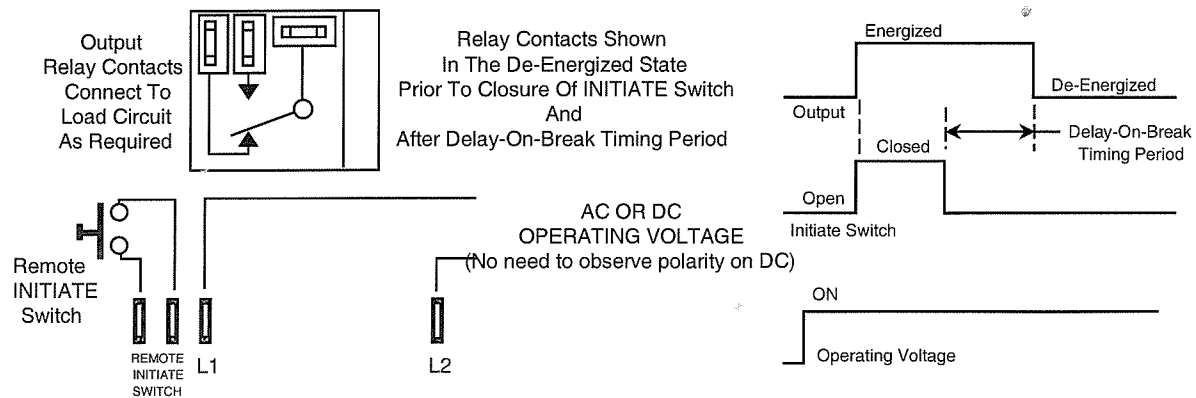
The Model 4711 Delay-On-Break is intended for operation in applications that require the initiate switch to be located a long distance from the actual timing module. The model 4711 isolates the initiate circuitry from the timing control circuitry through a small on board interface circuit, which greatly reduces susceptibility to electrical noise which can cause timing malfunctions, or even damage the timer. When the initiate switch is closed the output relay energizes and remains energized until the initiate switch opens and the delay period expires. If the initiate switch is closed prior to the end of the timing period, the timing period is reset. The output contacts provide service to 20 amperes.

### Mechanical



### Wiring Diagram

### Timing Diagram



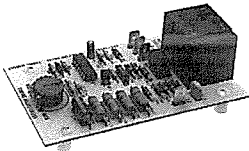
Artisan Controls Corporation,  
 111 Canfield Ave, Bldg B15-18, Randolph, New Jersey 07869, USA  
 Tel: 973-598-9400 • Fax: 973-598-9410 • Toll Free: 800-457-4950  
 website: www.artisancontrols.com



## Solid State Timers and Controllers

### Specifications .....

- Operating Voltage:** 12V DC, 24V DC, 48V DC, 110V DC, 24V AC, 48V AC, 115V AC, 230V AC. DC models non-polar, AC models 50/60 Hz..
- Operating Voltage Tolerance:** ±15%.
- Operating Current:** AC models 2.7VA maximum, DC models .75 watts maximum.
- Timing Mode:** Delay-On-Break - initiate switch activated.
- Fixed Timing:** Factory fixed at any timing period from 0.1 seconds to 2,000 seconds.
- Tolerances On Fixed Timing:** 5%, 10%, and 20% available.
- Adjustable Timing Ranges:** Ten (10) ranges from 0.1 seconds to 2,000 seconds.
- Purchase Tolerance**
- On Adjustable Timing:** Minimum Time - 25%, +0%. Maximum Time - 0%, +25%
- Timing Variation:** Less than 5% of set point over specified temperature and voltage range.
- Repeatability Of Timing Period:** ±2% nominal.
- Recycle Time:** 50 milliseconds after a timing cycle has been completed, the Initiate Switch may be closed.
- Initiate Switch:** Isolated SPST rated for 20 mA service.
- Initiate Time:** Initiate Switch must be closed for a minimum of 100 milliseconds to guarantee a new cycle.
- Output:** SPDT relay contacts.
- Contact Rating:** *Normally Open Contacts:* rated for 20A inductive or resistive at 125 or 240 VAC, 6A inductive or resistive at 277 VAC, 20A inductive or resistive at 30 VDC, 2 HP motor load at 240 VAC, 1 HP motor load at 125 VAC, 6A ballast load at 125 or 277 VAC per UL file #E44221.  
*Normally Closed Contacts:* rated for 10 amperes inductive or resistive at 125 or 240 VAC, 3 amps inductive or resistive at 277 VAC, 10 amps inductive or resistive at 30 VDC, 1/2 HP motor load at 240 VAC, 1/4 HP motor load at 125 VAC, 3 amperes ballast load at 125 or 277 VAC per UL file #E44221.
- Transient Protection:** Protected by silicon transient suppressors responding to transients within  $1 \times 10^{-12}$  seconds to a peak pulse power dissipation of 1500 watts, with transient surge currents to 200 amperes for durations up to 1/120 second at 25° C. Maximum transient voltage protection is 6000 volts as delivered through a source resistance of 30 ohms with a maximum duration of 8.3ms.
- Operating Temperature:** 0°C to +70°C
- Construction:** Open PC board with .25 quick connect wiring terminals.
- Data Sheet Revision Date:** June 5, 1995



### Ordering Information Adjustable & Fixed Timing Models .....

Part Number	Timing	Operating Voltage	Timing In Seconds	Tolerance
4711 -	-F Fixed	-2 (12V DC)	-1 0.1 - 10	-B 5% -C 10 % -D 20 %  Specify TOLERANCE Only On Fixed Timing Models
		-3 (24V DC)	-2 0.15 - 1.5	
		-4 (48V DC)	-3 0.3 - 3	
		-5 (110V DC)	-4 1 - 15	
		-6 (24V AC)	-5 2 - 75	
	-A Adjustable	-7 (48V AC)	-6 5 - 150	
		-8 (115V AC)	-7 15 - 200	
		-9 (230V AC)	-8 30 - 475	
			-9 50 - 750	
			-10 200 - 2000	
		Fixed Timing Specify Timing Period In Seconds From 0.1 to 2000		