



# Solid State Timers and Controllers

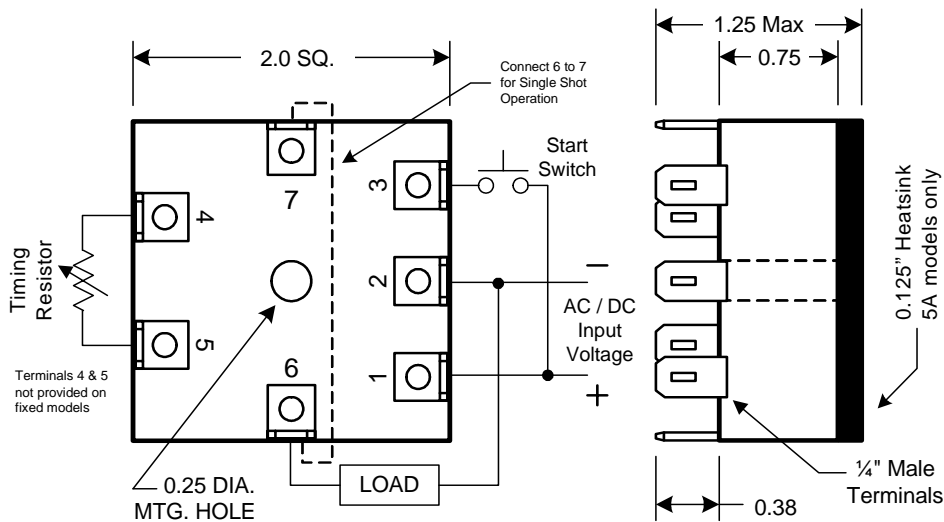
## 4310

## Interval / Single-Shot Timing Module

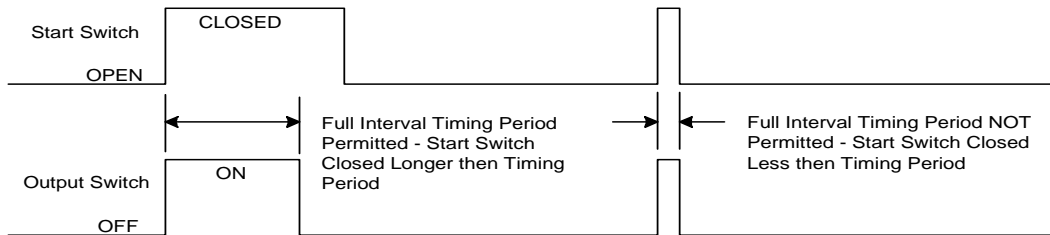


The model 4310 can perform as either an interval timer or as a single-shot timer. This model controls DC loads to 1 Ampere and AC loads to 10 Amperes. The AC models provide zero-voltage switching (standard) or random-voltage switching (cost effective) dependant on the output dash number selected. To use as a single-shot timer, install a jumper across terminals 6 & 7, then a full time delay is achieved with only a momentary start switch closure. Without the jumper, the unit operates as an interval timer, requiring the start switch to be closed for the entire timing period.

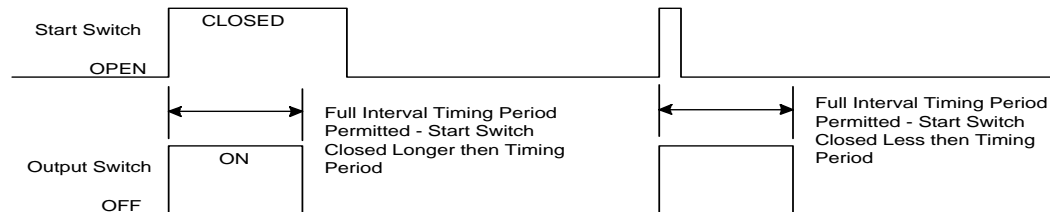
### Mechanical & Wiring



### Timing Diagram - Wired as Interval Timer



### Timing Diagram - Wired as Single-Shot Timer



VISIT OUR WEB SITE AT: [www.artisancontrols.com](http://www.artisancontrols.com)

**Notice:** Artisan Controls Corporation assumes no responsibility for customers applications or product design. The information and data contained herein is the sole and exclusive property of Artisan Controls Corporation. Any duplication, misuse, or conversion of this information without the express written consent of Artisan Controls Corporation is illegal and will result in damages including court costs and attorney fees being assessed against the party misusing this property

**Tel: 973-598-9400 • Fax: 973-598-9410 • Toll Free: 800-457-4950**  
**Artisan Controls Corporation, 111 Canfield Ave., Bldg B15-18, Randolph, NJ, 07869, USA**



# Solid State Timers and Controllers

## Timing vs Resistance Chart .....

External Resistor (Ohms)	Timing Range Dash Number				
	-1	-2	-3	-4	-5
0	0.1	1	2	10	30
1 Meg	4	30	100	500	900
3 Meg	12	90	300	1,500	2,700
5 Meg	20	150	500	2,500	4,500
10 Meg	30	300	1,000	4,500	8,000

## Ordering Charts: Fixed (4310F) & Adjustable (4310A) .....

Part Number - Operating Voltage - Output Rating - Fixed Time in Seconds - Fixed Time Tolerance				
4310F	-2 (12VDC) -3 (24VDC) -4 (48VDC)	-A (1 Amp)	Specify the fixed timing period in seconds from 0.1 to 8000	-A (± 2%) -B (± 5%) -C (± 10%) -D (± 20%)
	-6 (24VAC) -7 (48VAC) -8 (120VAC) -9 (230VAC)	-A (1 Amp) -B (5 Amp) -C (1 Amp) -D (5 Amp) <small>-A &amp; -B = 0V switch (std) -C &amp; -D = random switch</small>		

Part Number - Operating Voltage - Output Rating - Timing Range			
4310A	-2 (12VDC) -3 (24VDC) -4 (48VDC)	-A (1 Amp)	-1 (0.1 - 30) -2 (1 - 300) -3 (2 - 1000) -4 (10 - 4500) -5 (30 - 8000)
	-6 (24VAC) -7 (48VAC) -8 (120VAC) -9 (230VAC)	-A (1 Amp) -B (5 Amp) -C (1 Amp) -D (5 Amp) <small>-A &amp; -B = 0V switch (std) -C &amp; -D = random switch</small>	All times in seconds



VISIT OUR WEB SITE AT: [www.artisancontrols.com](http://www.artisancontrols.com)

**Notice:** Artisan Controls Corporation assumes no responsibility for customers applications or product design. The information and data contained herein is the sole and exclusive property of Artisan Controls Corporation. Any duplication, misuse, or conversion of this information without the express written consent of Artisan Controls Corporation is illegal and will result in damages including court costs and attorney fees being assessed against the party misusing this property

**Tel: 973-598-9400 • Fax: 973-598-9410 • Toll Free: 800-457-4950**  
**Artisan Controls Corporation, 111 Canfield Ave., Bldg B15-18, Randolph, NJ, 07869, USA**



## Solid State Timers and Controllers

### Specifications

**Operating Voltage:** 12V DC, 24V DC, 48V DC, 24V AC, 48V AC, 115V AC, 230V AC.

**Voltage Tolerance:**  $\pm 20\%$ , AC 50/60 Hz.

**Operating Current:** All voltages < 20mA plus load current requirements.

**Timing Mode:** Interval or Single-Shot.

**Fixed Timing:** From 0.10 seconds to 8,000 seconds.

**Fixed Timing Purchase Tolerance:**  $\pm 2\%$ ,  $\pm 5\%$ ,  $\pm 10\%$ , and  $\pm 20\%$ .

**Adjustable Timing:** 0.1 seconds to 8000 seconds covered by 5 ranges. Each range specified is covered from minimum to maximum using a 0 to 10 Meg ohm external timing resistance.

**Timing Range Tolerance:** Minimum time - 15% +0%, maximum time - 0% +15%. Example: The -3 timing range operates in the 2 - 100 second range with 0 - 1 meg ohm external timing resistor could exhibit a minimum time of 1.7 seconds (2 seconds - 15%) with 0 ohms external timing resistance, and a maximum time of 115 seconds (100 seconds + 15%) with an external timing resistor of 1 meg ohm. The extended range to 1000 seconds using 10 meg ohms external timing resistance could be as high as 1150 seconds (1000 seconds + 15%).

**Timing Resistor Rating:** Worst case power dissipation never exceeds 15 milliwatts.

**Timing Resistor Tolerance:** Timing range specified is guaranteed as a minimum using 5% resistors.

**Timing Variation:** Less than 6% of set point over specified temperature and voltage range.

**Repeatability Of Timing Period:**  $\pm 1\%$  nominal.

**Recycle Time:** Operating voltage must be removed for a minimum of 200 milliseconds to guarantee all timing and output circuits have reset.

**Start Switch:** SPST-NO closes to initiate an output interval. Switch must be rated for low level operation down to 500 microamperes at 12V DC. When operating in the Single-Shot mode (terminals 6 & 7 jumpered) the Initiate switch must be closed for a minimum of 50mS to assure a full single-shot output timing interval. The Initiate switch may be reclosed 50mS after the timing interval has completed and the output switch turned off.

**Output Rating:** -A & -C models rated for 70mA to 1A inductive with inrush currents to 15 A for 8 mS. -B & -D models rated for 70 mA to 5 A inductive with inrush currents to 40A for 8 mS. The -B & -D models can be extended to operate as high as 10A providing the metal base of the timer is maintained at a temperature no greater than 85°C. This can generally be achieved if ambient temperature does not exceed 30°C and the timer is mounted to a metal chassis that provides a minimum of 15 cubic inches of heat sink. Apply a thermal compound between the timer's base and the chassis.

**Zero Voltage Switching:** -A & -B AC models provide zero voltage switching within  $\pm 50$  microseconds of zero volts (standard), -C & -D AC models provide random voltage switching.

**Output Voltage Drop in "ON" State:** 2 volts maximum for DC models, 3 volts maximum for AC models.

**Leakage Current in "OFF" State:** 2 mA maximum for DC models, 4 mA maximum for AC models.

**Transient Protection:** Protected by silicon transient suppressors which respond within  $1 \times 10^{-12}$  seconds to a peak pulse power dissipation of 1500 watts, with surge currents to 200 amperes for durations up to 1/120 second at 25° C. Maximum transient voltage protection is 6000 volts as delivered through a source resistance of 30 ohms with a maximum duration of 8.3 milliseconds.

**Dielectric:** 1500V rms all terminals to case on -A & -C models, to heat sink on -B & -D.

**Operating Temperature:** -20°C to +85°C.

**Humidity:** 95% non-condensing.

**Construction:** Encapsulated module with .25 quick connect wiring terminals.

**Agency Approvals:** UL File E47858: Component Appliance Controls ATNZ2(US) & ATNZ8(Can), Component Auxiliary Devices NKCR2(US) & NKCR2(Can).

**Data Sheet Revision Date:** January 20, 2006

VISIT OUR WEB SITE AT: [www.artisancontrols.com](http://www.artisancontrols.com)

**Notice:** Artisan Controls Corporation assumes no responsibility for customers applications or product design. The information and data contained herein is the sole and exclusive property of Artisan Controls Corporation. Any duplication, misuse, or conversion of this information without the express written consent of Artisan Controls Corporation is illegal and will result in damages including court costs and attorney fees being assessed against the party misusing this property

**Tel: 973-598-9400 • Fax: 973-598-9410 • Toll Free: 800-457-4950**  
**Artisan Controls Corporation, 111 Canfield Ave., Bldg B15-18, Randolph, NJ, 07869, USA**