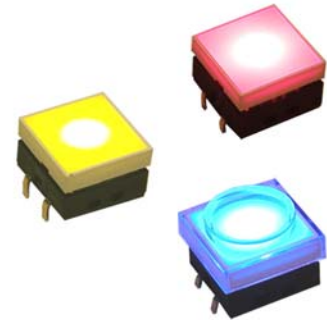


SPECIFICATIONS

Electrical Ratings	50mA @ 12VDC
Electrical Life	100,000 cycles typical
Contact Resistance	< 50 mΩ initial
Actuation Force	250 +/- 50gF
Actuator Travel	0.3 +/- .1mm
Dielectric Strength	1000Vrms min
Insulation Resistance	> 100MΩ min
Operating Temperature	-40°C to 85°C
Storage Temperature	-40°C to 85°C



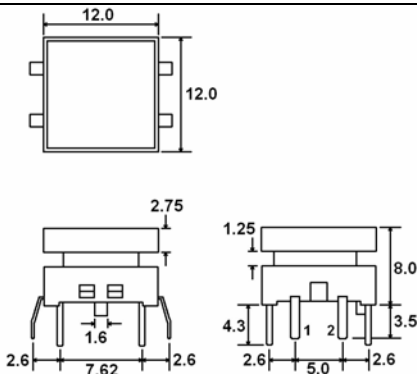
MATERIALS ←RoHS COMPLIANT

Cover	PC
Housing	Nylon
Lens	PC
Contacts	Copper Alloy, Gold over Nickel Plated
Terminals	Copper Alloy, Gold over Nickel Plated

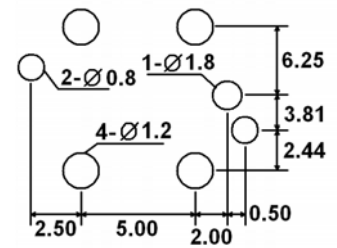
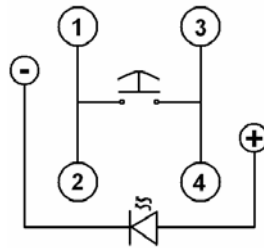
ORDERING INFORMATION

1. Series:	JS	B	C
JS			
2. LED Color:			
R = Red			
G = Green			
Y = Yellow			
B = Blue			
3. Clear Cap Style:			
Blank = No Cap			
A, B, C, D, E, F, G			

DIMENSIONS



SCHEMATIC & PC LAYOUT



CLEAR CAP OPTIONS

