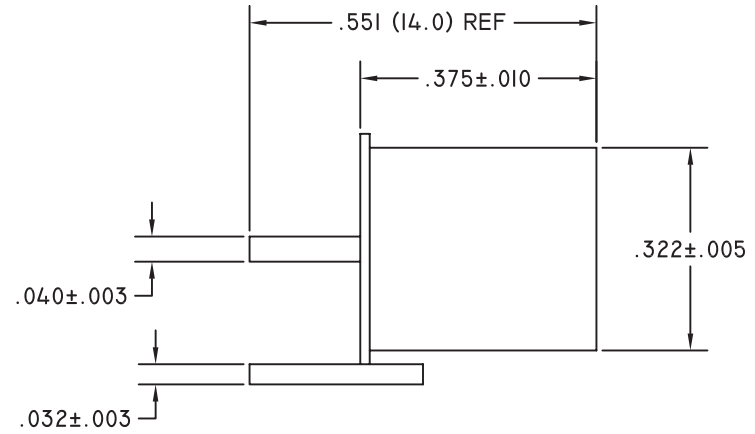
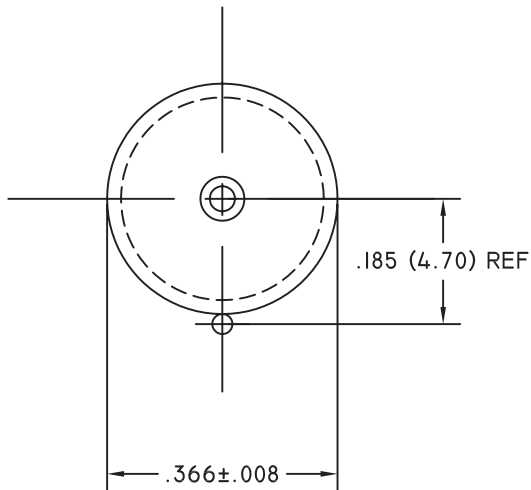


REV.	DATE	REVISION DESCRIPTION	DR.
A	12/30/05	ECN 2005-113	L.L.

ENVIRONMENTALLY FRIENDLY MOTION SENSOR, CONTAINS NO HAZARDOUS MATERIAL.
RoHS COMPLIANT.

NOTES:

1. ELECTRICAL:
 - 1.1 CONTACT CAPACITY 25 MA MAX., 24 VDC MAX.
 - 1.2 CONTACT RESISTANCE 5 OHMS NOM.
2. OPERATE:
 - 2.1 MOTION SENSOR, BOTH STARTING AND ENDING POSITIONS MAY BE EITHER N.O. OR N.C.
 - 2.2 OPERATING TEMPERATURE -37 DEG. TO 100 DEG. C.
3. EXTERNAL FINISH:
 - 3.1 TIN PLATED



COMUS INTERNATIONAL

454 ALLWOOD ROAD, CLIFTON, NEW JERSEY 07012

TEL. (973) 777-6900

ENGINEERING		
QUALITY		
PRODUCTION		
APPROVAL	SIGNATURE	DATE

UNSPECIFIED TOLERANCES
 DECIMAL: .XX ± .01 [.254]
 .XXX ± .005 [.127]
 FRACTIONAL: ± 1/64 [.397]
 ANGULAR: ± 1/2°

REF.:	SCALE: NONE	DRAWN BY: L.L.	DATE 12/30/2005
TITLE: VIBRATION AND MOVEMENT SENSOR			
TYPE: SALE		DRAWING #: AG2400-1	