

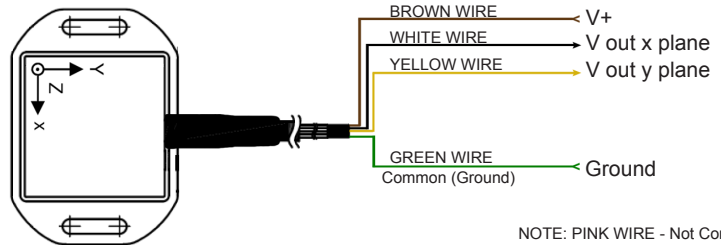
**Part Number: PDT1005**  
**XY-Axis Analog Output Tilt Module**  
**Product Data Sheet**

**PICTURE**



✓ **RoHS Compliant**

**WIRING DIAGRAM**



**LED STATUS**

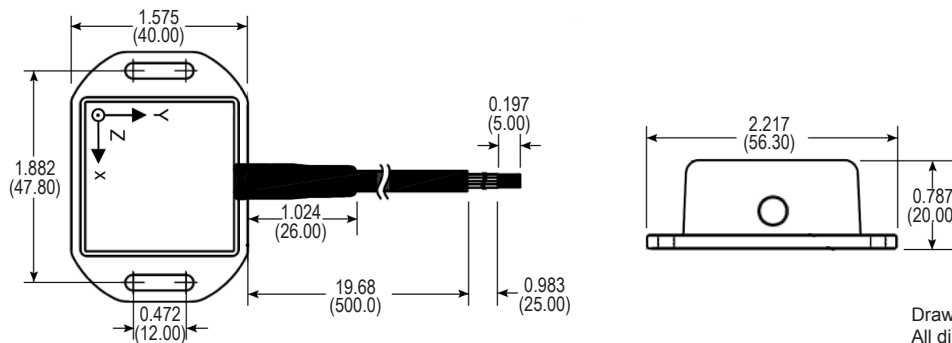
**ON** - Supply voltage is normal.  
 In this case output value is correct.

**OFF** - Insufficient supply voltage.

**FEATURES**

- Resistant to Ambient Environmental Conditions
- Construction : ABS Housing
- Mechanical Stress Resistant
- Anti-Vibration Feature
- Multi Axis Tilt Sensor
- Two Analog Outputs

**DIMENSIONS**



Drawings not to scale.  
 All dimensions in inches (mm) nominal.

**SPECIFICATION**

INPUT	
Supply Voltage	7 to 30 VDC
Supply Current	20 mA MAX
OUTPUT	
Series	PDT1005 -1
Tilt Range	-30° +30°
Analog Output Voltage	0V to 4V
Short Circuit Current	15 mA
Zero level change vs Temperature	Delta from 25°C ±0.04°/°C
Tilt Resolution	< 0.5°
Shock Survivability	10000g for 0.1 ms
OTHER SPECIFICATIONS	
Cable Length	50 cm
Operation Temperature	-20° +70°C
Case Material	ABS

As part of the company policy of continued product improvement, specifications may change without notice. Our sales office will be pleased to help you with the latest information on this product range and the details of our full design and manufacturing service. All products are supplied to our standard conditions of sale unless otherwise agreed in writing.

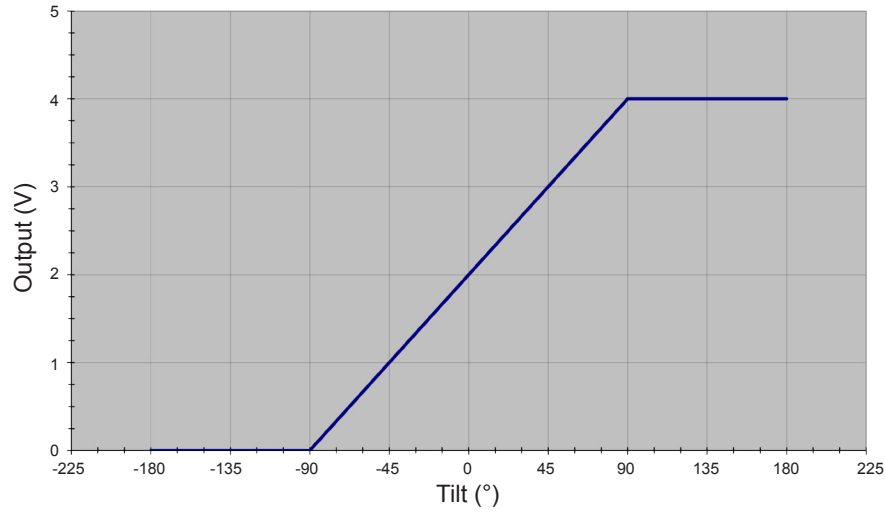
**Phone: (1) 973 777 6900**

**www.comus-intl.com**

**Fax: (1) 973 777 8405**

**Part Number: PDT1005**  
**XY-Axis Analog Output Tilt Module**  
**Product Data Sheet**

**OUTPUT CHART**



As part of the company policy of continued product improvement, specifications may change without notice. Our sales office will be pleased to help you with the latest information on this product range and the details of our full design and manufacturing service. All products are supplied to our standard conditions of sale unless otherwise agreed in writing.

**Phone: (1) 973 777 6900**

**[www.comus-intl.com](http://www.comus-intl.com)**

**Fax: (1) 973 777 8405**