

Surge-Trap® Type 1 SPD Single Phase - Data Sheet



Fail-Safe

Cost Effective

TPMOV® Technology



No Fuse Required



Application

For **NEMA Type 2 Applications & Systems**
STT21201PG, STT2240SPG, STT22401PG

Essential Type 1 SPD for indoor applications.

Ferraz Shawmut's Surge-Trap® Type 1 SPD is a fail-safe and economical solution to applications that require a NEMA-style SPD. It is UL 1449 3rd edition approved and offers a wide range of voltage configurations to meet all needs in its class.

The Surge-Trap Type 1 SPD features Ferraz Shawmut's patented TMOV® technology eliminating the need for additional overcurrent protection, thus providing substantial cost savings.

System Information

Surge-Trap Type 1 System	STT21201PG	STT2240SPG	STT22401PG
Nominal Voltage (Vac)	120	120/240	240
MCOV (Vc) L-G/N	180	180	270
Number of Poles	2	2	2
System Type	Single Phase	Split Phase	Single Phase
Nominal Discharge Current (In, kA)	20	20	20
Max. Discharge Current (Imax, 8/20, kA)	40	40	40
Short Circuit Current Rating (SCCR, kA)	200	200	200
Voltage Protection Level (VPR) L - N	700	700	1000
Voltage Protection Level (VPR) L - G	1200	-	1500
Voltage Protection Level (VPR) N - G	600	-	700
Voltage Protection Level (VPR) L - L	-	1200	-
UL Listing Type	US – Type1		
Enclosure Type	NEMA 2		

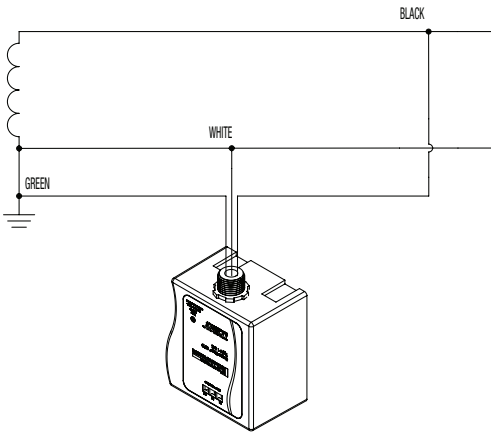
More on Reverse

Surge-Trap® Type 1 SPD Single Phase - Data Sheet

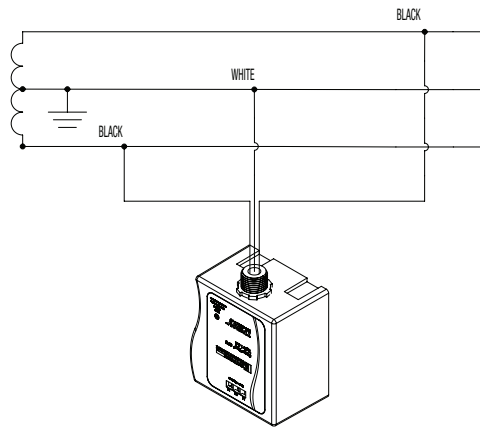
For **NEMA Type 2** Applications & Systems
STT21201PG, STT2240SPG, STT22401PG

Wiring Diagram

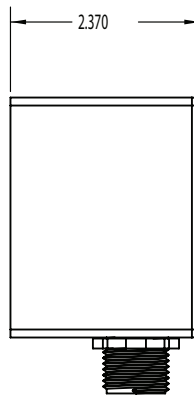
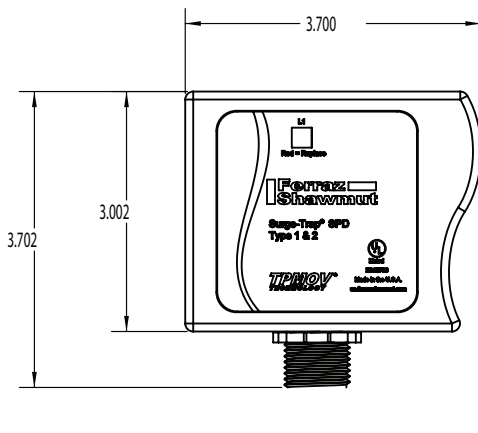
STT21201PG, STT22401PG



STT2240SPG



Measurements



TPMOV
TECHNOLOGY



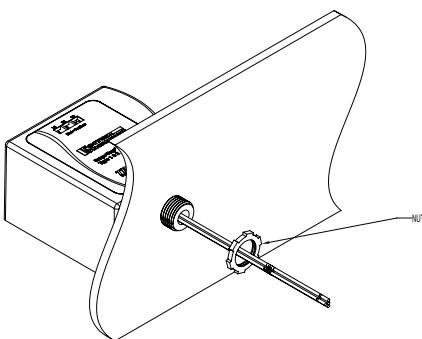
For more information, visit us at:

Ferraz Shawmut | North America
374 Merrimac Street
Newburyport, MA 01950
T: 978-462-6662
F: 978-462-0181

Ferraz Shawmut | Canada
88 Horner Avenue
Toronto, Ontario, Canada M8Z 5Y3
Phone: 416-252-9371
Fax: 416-252-6572

© 2010 Ferraz Shawmut. All rights reserved.

Installation



DS-STT2-1Ph-001 | 5000 | 2.10 | Growll

Ferraz Shawmut