

Surge-Trap® Type 1 SPD Three Phase Wye - Data Sheet



Fail-Safe

Cost Effective

TPMOV® Technology



No Fuse Required



Application

For NEMA Type 2 Applications & Systems
STT22083PYG, STT24803PYG, STT26003PYG

Essential Type 1 SPD for indoor applications.

Ferraz Shawmut's Surge-Trap® Type 1 SPD is a fail-safe and economical solution to applications that require a NEMA-style SPD. It is UL 1449 3rd edition approved and offers a wide range of voltage configurations to meet all needs in its class.

The Surge-Trap Type 1 SPD features Ferraz Shawmut's patented TMOV® technology eliminating the need for additional overcurrent protection, thus providing substantial cost savings.

System Information

Surge-Trap Type 1 System	STT22083PYG	STT24803PYG	STT26003PYG
Nominal Voltage (Vac)	120/208	277/480	347/600
MCOV (Vc) L-G/N	180	320	420
Number of Poles	3	3	3
System Type	Three Phase WYE	Three Phase WYE	Three Phase WYE
Nominal Discharge Current (In, kA)	20	10	10
Max. Discharge Current (Imax, 8/20, kA)	40	40	40
Short Circuit Current Rating (SCCR, kA)	200	200	200
Voltage Protection Level (VPR) L - N	700	1200	1500
Voltage Protection Level (VPR) L - G	-	-	-
Voltage Protection Level (VPR) N - G	-	-	-
Voltage Protection Level (VPR) L - L	1200	2000	2500
UL Listing Type	US – Type1		
Enclosure Type	NEMA 2		

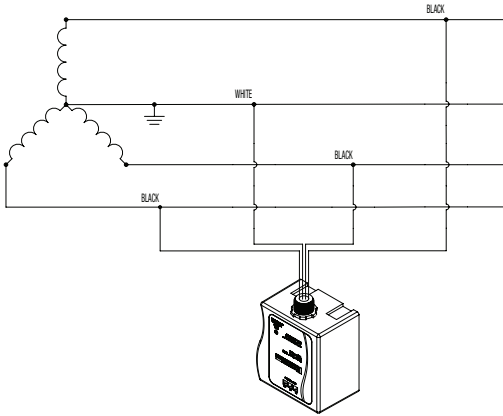
More on Reverse

Surge-Trap® Type 1 SPD Three Phase Wye - Data Sheet

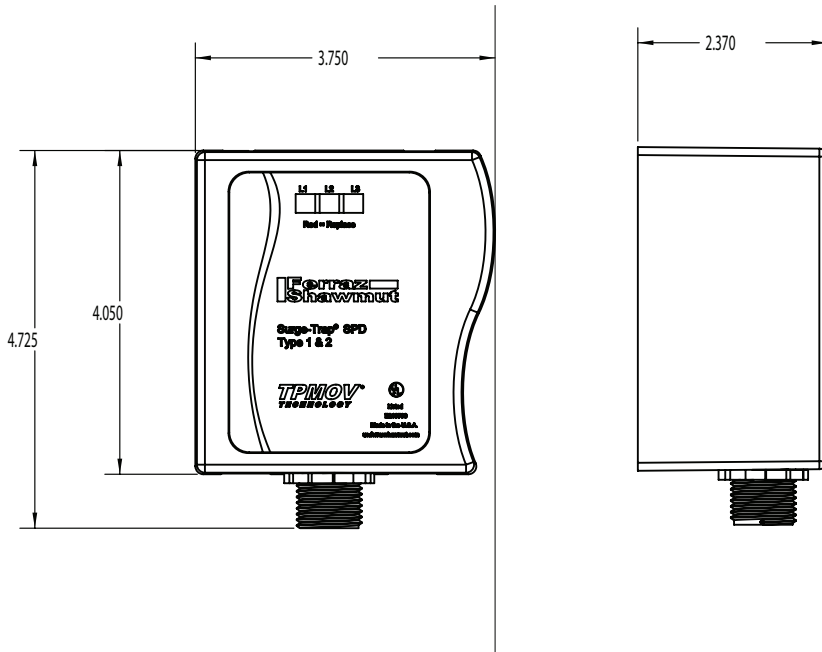
For **NEMA Type 2** Applications & Systems
STT22083PYG, STT24803PYG, STT26003PYG

Wiring Diagram

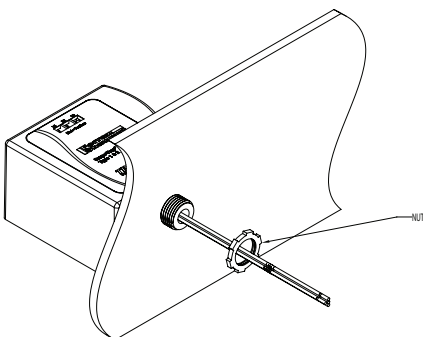
STT22083PYG, STT24803PYG, STT26003PYG



Measurements



Installation



TPMOV
TECHNOLOGY



For more information, visit us at:

Ferraz Shawmut | North America
374 Merrimac Street
Newburyport, MA 01950
T: 978-462-6662
F: 978-462-0181

Ferraz Shawmut | Canada
88 Horner Avenue
Toronto, Ontario, Canada M8Z 5Y3
Phone: 416-252-9371
Fax: 416-252-6572

© 2010 Ferraz Shawmut. All rights reserved.



DS-STT2-Wye-001 | 5000 | 2.10 | Growll

Ferraz Shawmut