

Features

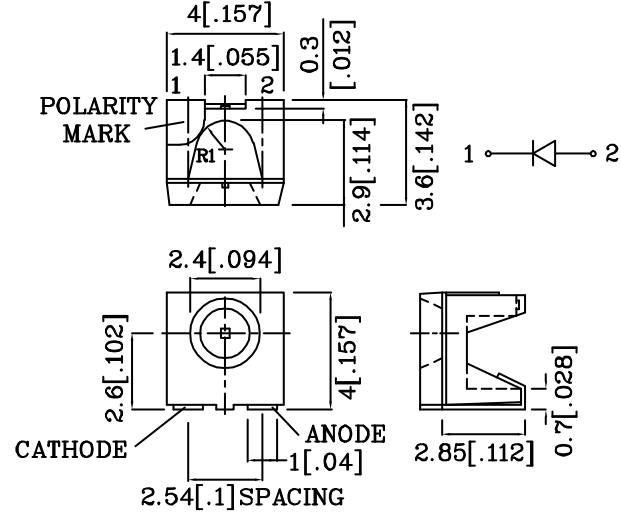
- SINGLE COLOR.
- SUITABLE FOR ALL SMT ASSEMBLY AND SOLDER PROCESS.
- AVAILABLE ON TAPE AND REEL.
- IDEAL FOR BACKLIGHTING.
- PACKAGE : 500PCS / REEL.



ATTENTION
 OBSERVE PRECAUTIONS
 FOR HANDLING
 ELECTROSTATIC
 DISCHARGE
 SENSITIVE
 DEVICES

Notes:

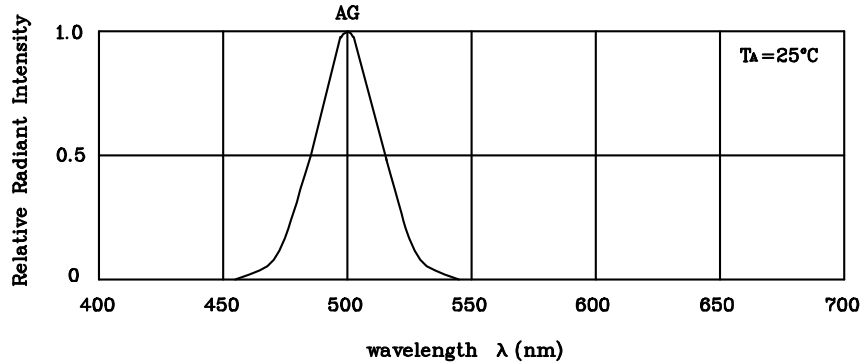
1. All dimensions are in millimeters (inches).
2. Tolerance is ± 0.25(0.01") unless otherwise noted.



Absolute maximum ratings (TA=25°C)		AG (InGaN)	Unit
Reverse voltage	VR	5	V
Forward current	IF	30	mA
Forward current (peak) 1/10Duty cycle 0.1ms pulse width	iFS	150	mA
Power dissipation	PT	110	mW
Operating temperature	TA	-40 ~ +85	°C
Storage temperature	Tstg	-40 ~ +85	

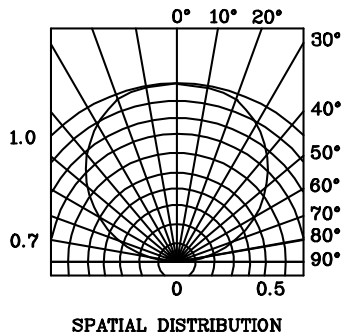
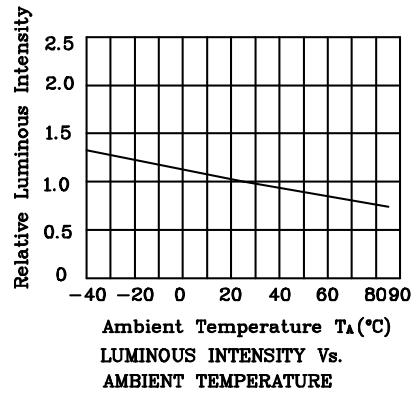
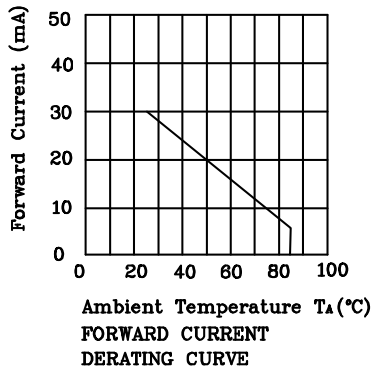
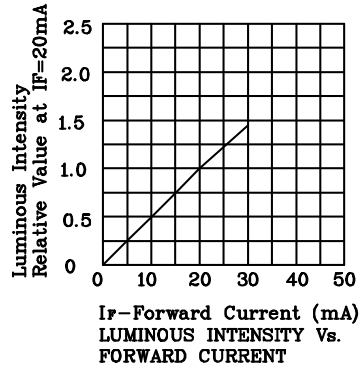
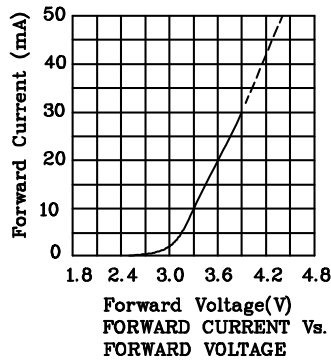
Operating Characteristics (TA=25°C)		AG (InGaN)	Unit
Forward voltage (typ.) (IF=20mA)	VF	3.6	V
Forward voltage (max.) (IF=20mA)	VF	4.4	V
Reverse current (VR=5V)	IR	10	uA
Wavelength at peak emission (IF=20mA)	λ peak	500	nm
Wavelength at Dominate emission (IF=20mA)	λ D	505	nm
Spectral Line half-width (IF=20mA)	Δλ	30	nm
Capacitance (VF=0V, f=1MHz)	C	56	pF

Part Number	Emitting Color	Emitting Material	Lens-color	Luminous Intensity (IF=20mA) med		Wavelength nm λ P	Viewing Angle 2 θ 1/2
				min.	typ.		
XZAG67W	Green	InGaN	Water Clear	70	125	500	120°

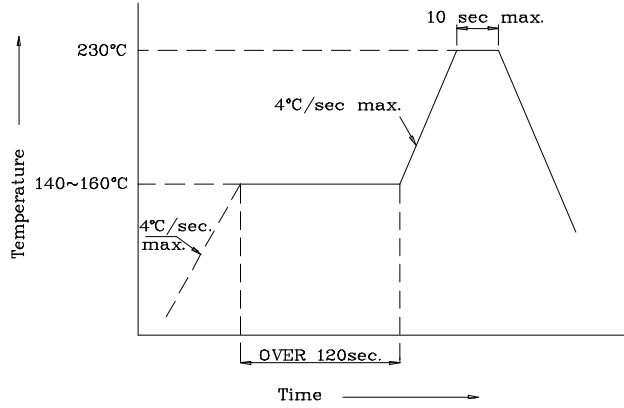


RELATIVE INTENSITY Vs. WAVELENGTH

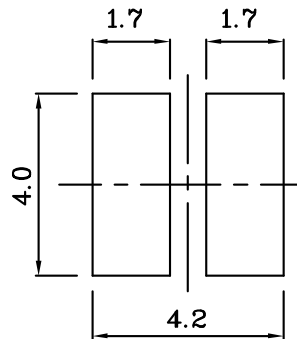
❖ AG



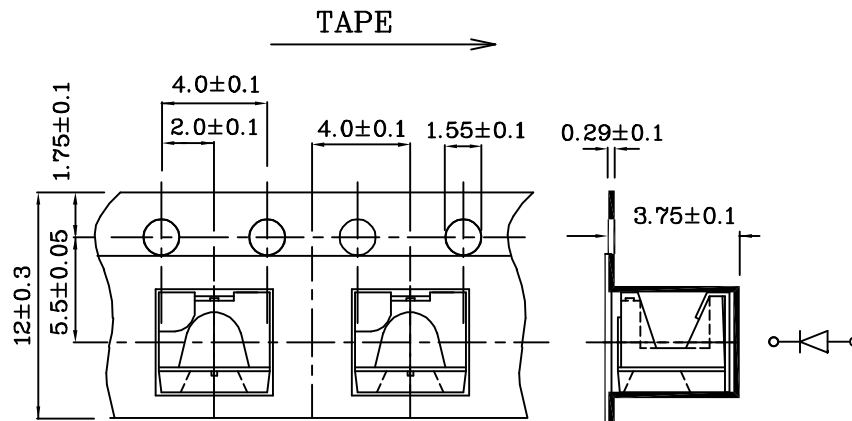
❖ SMT Reflow Soldering Instructions



❖ Recommended Soldering Pattern (Units : mm;Tolerance: ± 0.1)



❖ Tape Specification (Units : mm)



Features

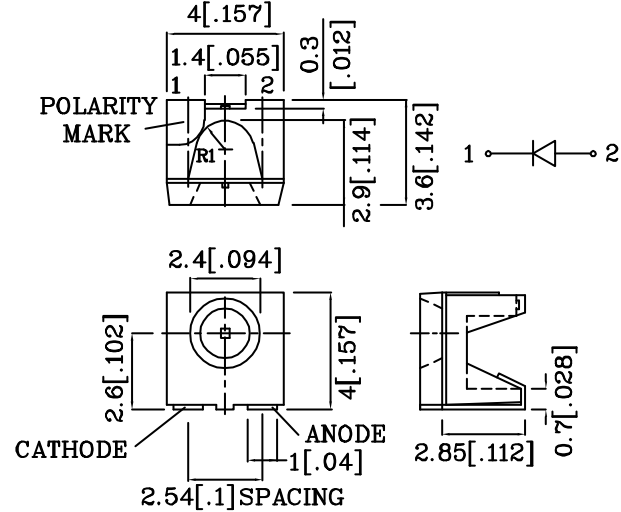
- SINGLE COLOR.
- SUITABLE FOR ALL SMT ASSEMBLY AND SOLDER PROCESS.
- AVAILABLE ON TAPE AND REEL.
- IDEAL FOR BACKLIGHTING.
- PACKAGE : 500PCS / REEL.



ATTENTION
 OBSERVE PRECAUTIONS
 FOR HANDLING
 ELECTROSTATIC
 DISCHARGE
 SENSITIVE
 DEVICES

Notes:

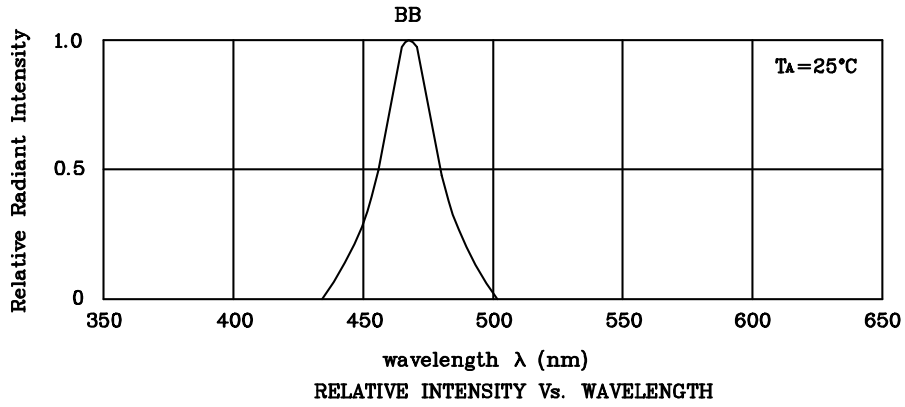
1. All dimensions are in millimeters (inches).
2. Tolerance is ± 0.25(0.01") unless otherwise noted.



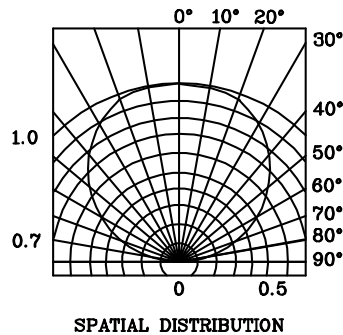
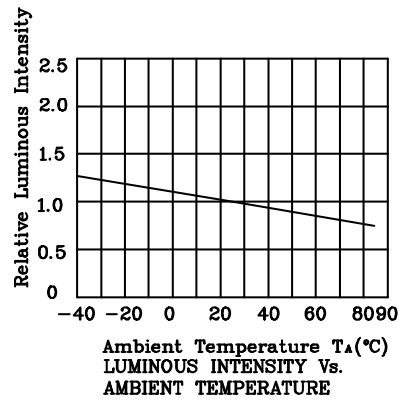
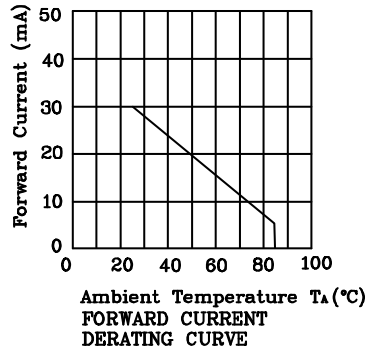
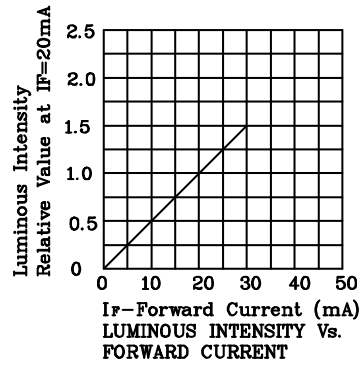
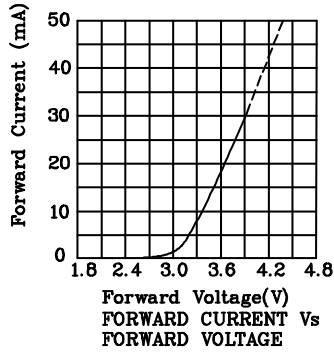
Absolute maximum ratings (TA=25°C)		BB (InGaN)	Unit
Reverse voltage	VR	5	V
Forward current	IF	30	mA
Forward current (peak) 1/10Duty cycle 0.1ms pulse width	iFS	160	mA
Power dissipation	PT	102	mW
Operating temperature	TA	-40 ~ +85	°C
Storage temperature	Tstg	-40 ~ +85	

Operating Characteristics (TA=25°C)		BB (InGaN)	Unit
Forward voltage (typ.) (IF=20mA)	VF	3.65	V
Forward voltage (max.) (IF=20mA)	VF	4.2	V
Reverse current (VR=5V)	IR	10	uA
Wavelength at peak emission (IF=20mA)	λ peak	468	nm
Wavelength at Dominate emission (IF=20mA)	λ D	470	nm
Spectral Line half-width (IF=20mA)	Δλ	25	nm
Capacitance (VF=0V, f=1MHz)	C	65	pF

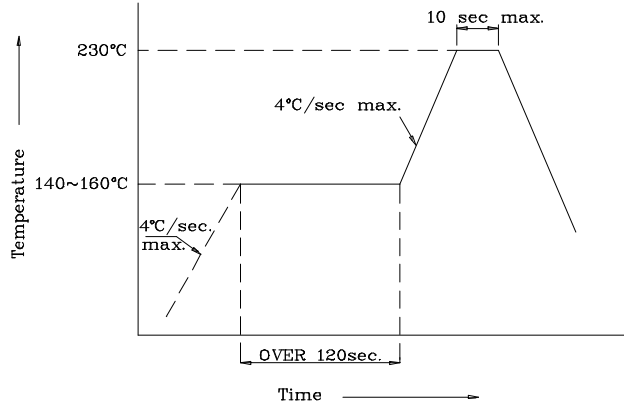
Part Number	Emitting Color	Emitting Material	Lens-color	Luminous Intensity (IF=20mA) med		Wavelength nm λ P	Viewing Angle 2 θ 1/2
				min.	typ.		
XZBB67W	Blue	InGaN	Water Clear	18	34	468	120°
Published Date : JUL 30,2003 Drawing No :XDSA1661 V3 Checked : B.L.LIU P1/3							



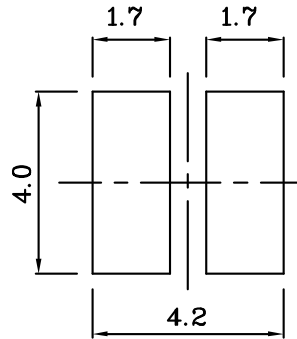
❖ BB



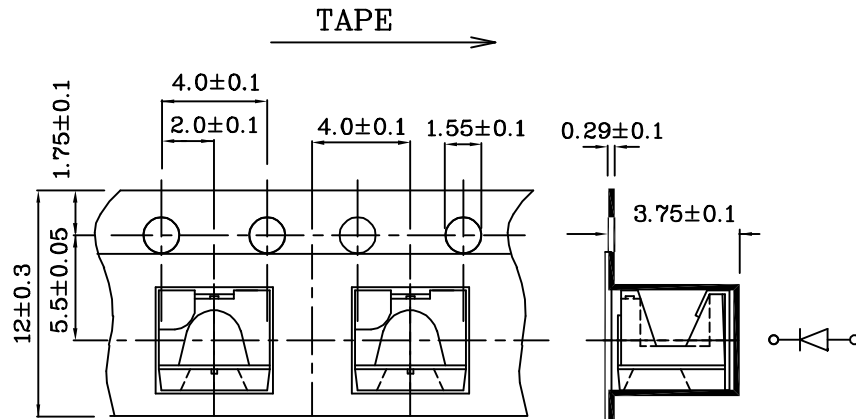
❖ SMT Reflow Soldering Instructions



❖ Recommended Soldering Pattern (Units : mm;Tolerance: ± 0.1)



❖ Tape Specification (Units : mm)



Features

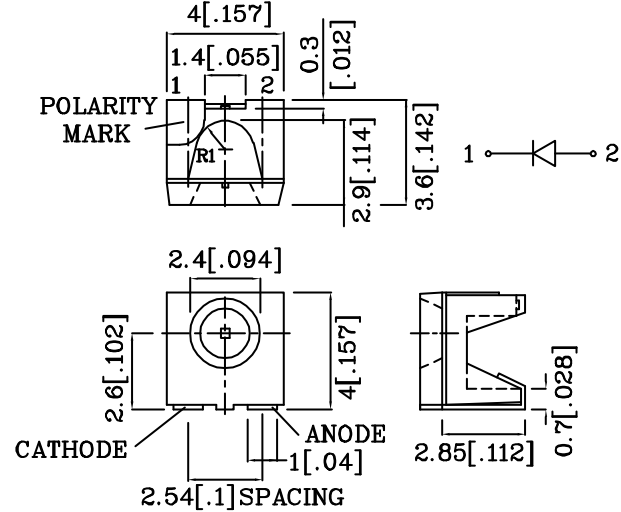
- SINGLE COLOR.
- SUITABLE FOR ALL SMT ASSEMBLY AND SOLDER PROCESS.
- AVAILABLE ON TAPE AND REEL.
- IDEAL FOR BACKLIGHTING.
- PACKAGE : 500PCS / REEL.



ATTENTION
 OBSERVE PRECAUTIONS
 FOR HANDLING
 ELECTROSTATIC
 DISCHARGE
 SENSITIVE
 DEVICES

Notes:

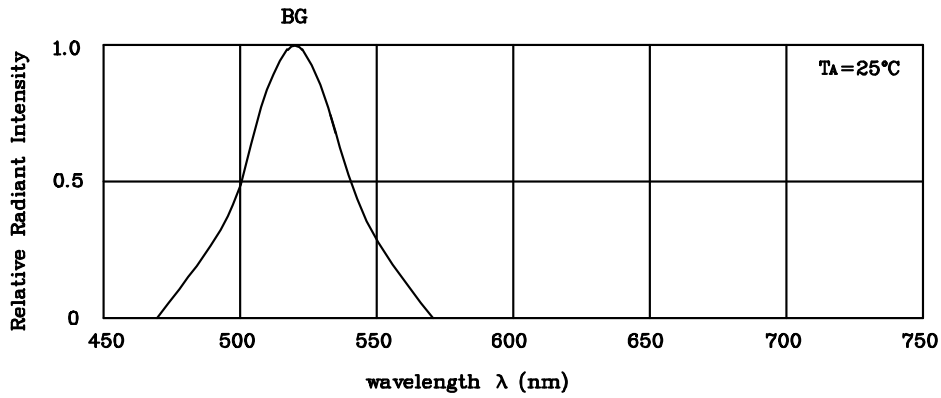
1. All dimensions are in millimeters (inches).
2. Tolerance is ± 0.25(0.01") unless otherwise noted.



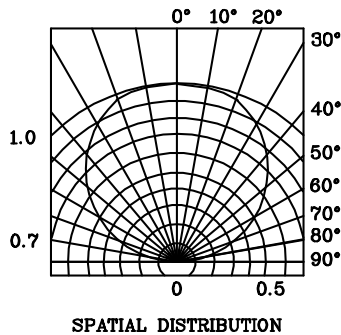
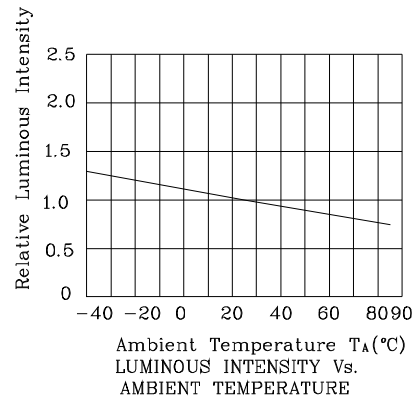
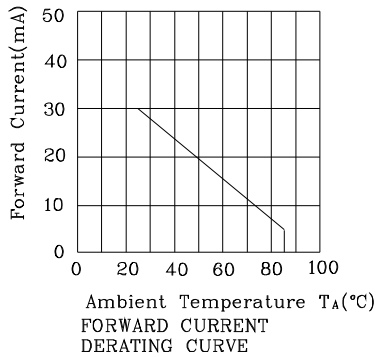
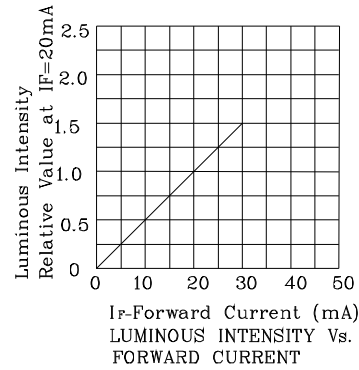
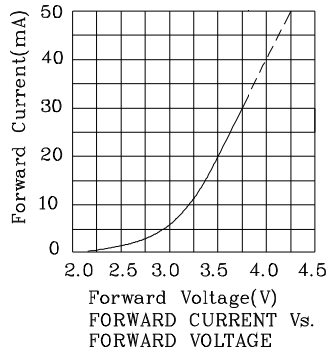
Absolute maximum ratings (TA=25°C)		BG (InGaN)	Unit
Reverse voltage	VR	5	V
Forward current	IF	30	mA
Forward current (peak) 1/10Duty cycle 0.1ms pulse width	iFS	150	mA
Power dissipation	PT	105	mW
Operating temperature	TA	-40 ~ +85	°C
Storage temperature	Tstg	-40 ~ +85	

Operating Characteristics (TA=25°C)		BG (InGaN)	Unit
Forward voltage (typ.) (IF=20mA)	VF	3.5	V
Forward voltage (max.) (IF=20mA)	VF	4.5	V
Reverse current (VR=5V)	IR	10	uA
Wavelength at peak emission (IF=20mA)	λ peak	520	nm
Wavelength at Dominate emission (IF=20mA)	λ D	525	nm
Spectral Line half-width (IF=20mA)	Δλ	38	nm
Capacitance (VF=0V, f=1MHz)	C	45	pF

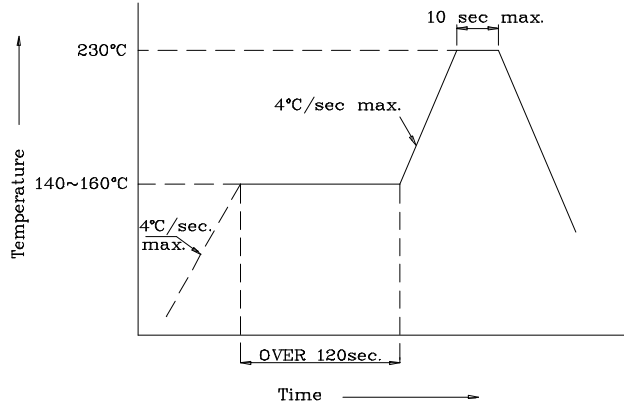
Part Number	Emitting Color	Emitting Material	Lens-color	Luminous Intensity (IF=20mA) med		Wavelength nm λ P	Viewing Angle 2 θ 1/2
				min.	typ.		
XZBG67W	Green	InGaN	Water Clear	70	199	520	120°
Published Date : JUL 30,2003				Drawing No :XDSA1654		V3	Checked : B.L.LIU P1/3



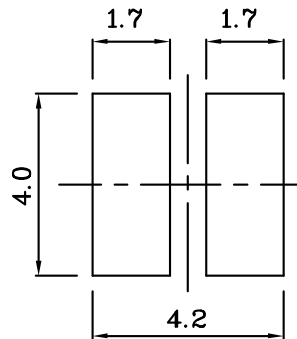
❖ **BG**



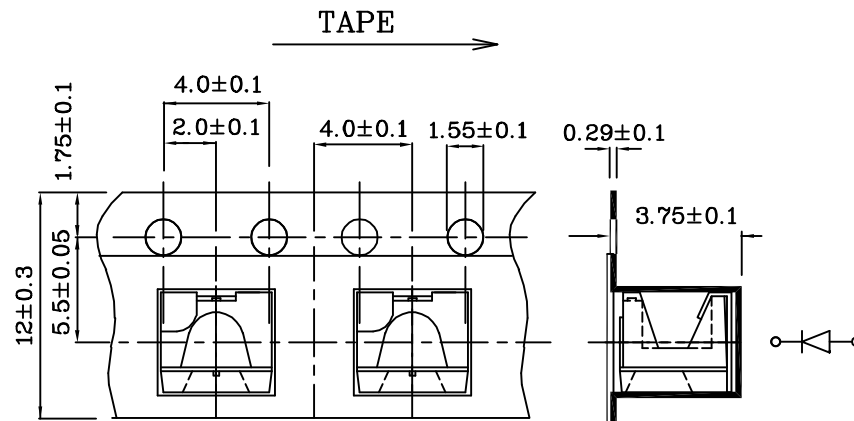
❖ SMT Reflow Soldering Instructions



❖ Recommended Soldering Pattern (Units : mm;Tolerance: ± 0.1)



❖ Tape Specification (Units : mm)



Features

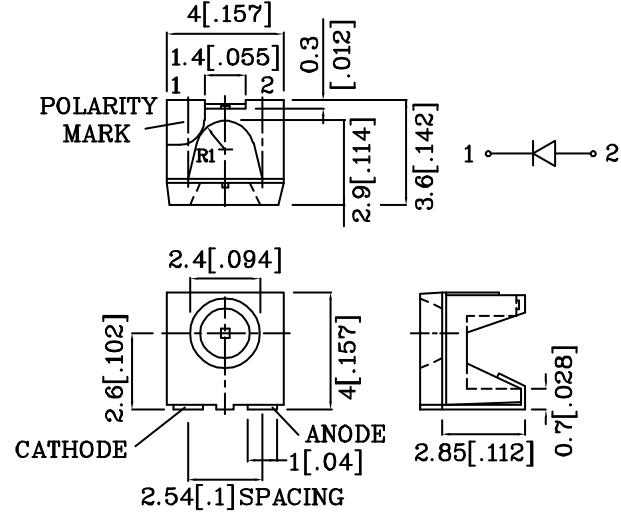
- SINGLE COLOR.
- SUITABLE FOR ALL SMT ASSEMBLY AND SOLDER PROCESS.
- AVAILABLE ON TAPE AND REEL.
- IDEAL FOR BACKLIGHTING.
- PACKAGE : 500PCS / REEL.



ATTENTION
 OBSERVE PRECAUTIONS
 FOR HANDLING
 ELECTROSTATIC
 DISCHARGE
 SENSITIVE
 DEVICES

Notes:

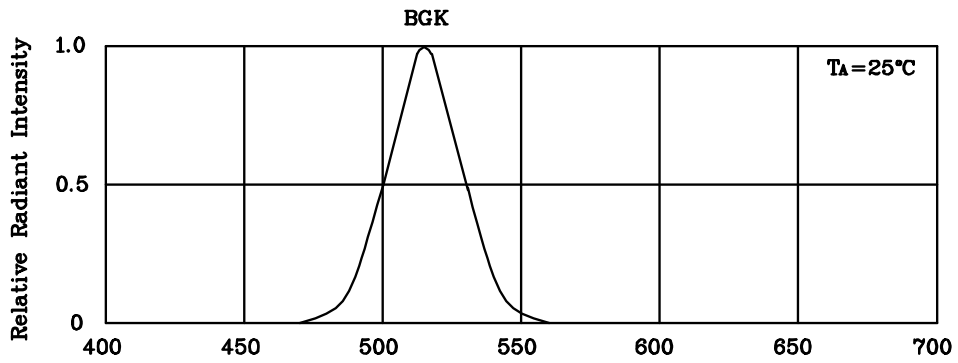
1. All dimensions are in millimeters (inches).
2. Tolerance is ± 0.25(0.01") unless otherwise noted.



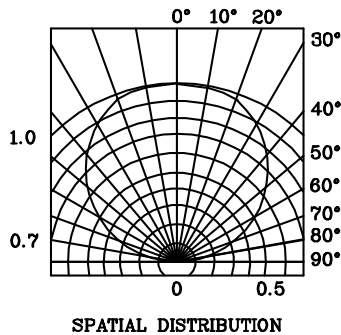
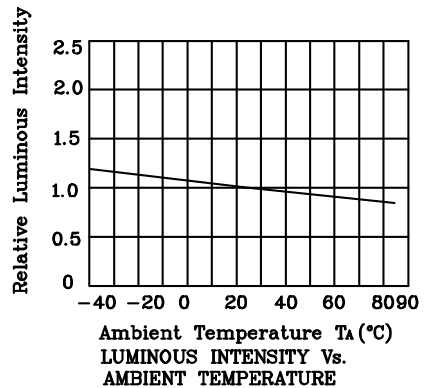
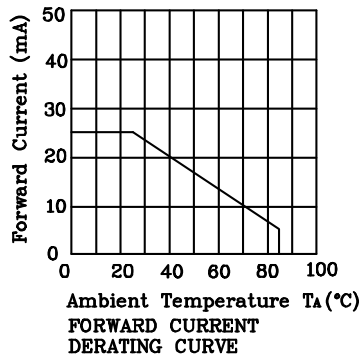
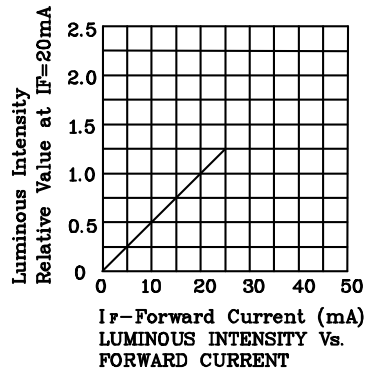
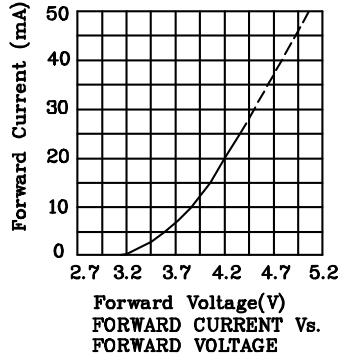
Absolute maximum ratings (TA=25°C)		BGK (InGaN)	Unit
Reverse voltage	VR	5	V
Forward current	IF	25	mA
Forward current (peak) 1/10Duty cycle 0.1ms pulse width	iFS	130	mA
Power dissipation	PT	105	mW
Operating temperature	TA	-40 ~ +85	°C
Storage temperature	Tstg	-40 ~ +85	

Operating Characteristics (TA=25°C)		BGK (InGaN)	Unit
Forward voltage (typ.) (IF=20mA)	VF	4.2	V
Forward voltage (max.) (IF=20mA)	VF	4.8	V
Reverse current (VR=5V)	IR	10	uA
Wavelength at peak emission (IF=20mA)	λ peak	515	nm
Wavelength at Dominate emission (IF=20mA)	λ D	525	nm
Spectral Line half-width (IF=20mA)	Δλ	30	nm
Capacitance (VF=0V, f=1MHz)	C	45	pF

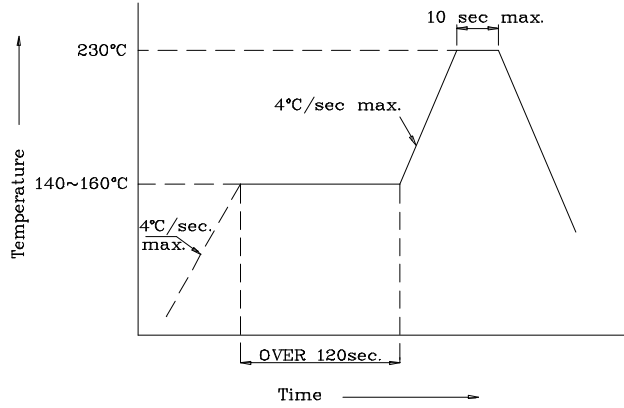
Part Number	Emitting Color	Emitting Material	Lens-color	Luminous Intensity (IF=20mA) med		Wavelength nm λ P	Viewing Angle 2 θ 1/2
				min.	typ.		
XZBGK67W	Green	InGaN	Water Clear	50	149	515	120°
Published Date : JUL 30,2003		Drawing No :XDSA1653		V3	Checked : B.L.LIU		P1/3



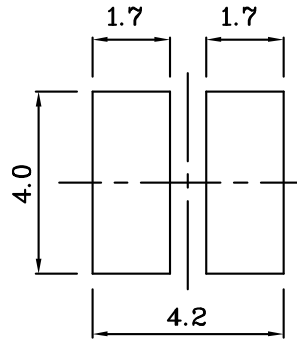
❖ **BGK**



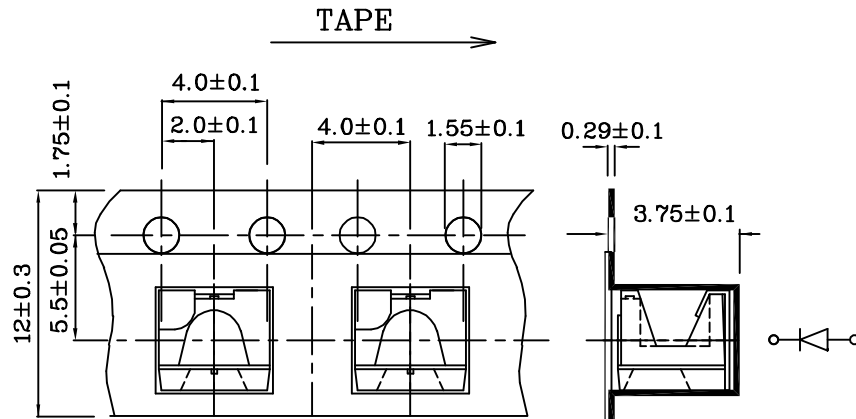
❖ SMT Reflow Soldering Instructions



❖ Recommended Soldering Pattern (Units : mm;Tolerance: ± 0.1)

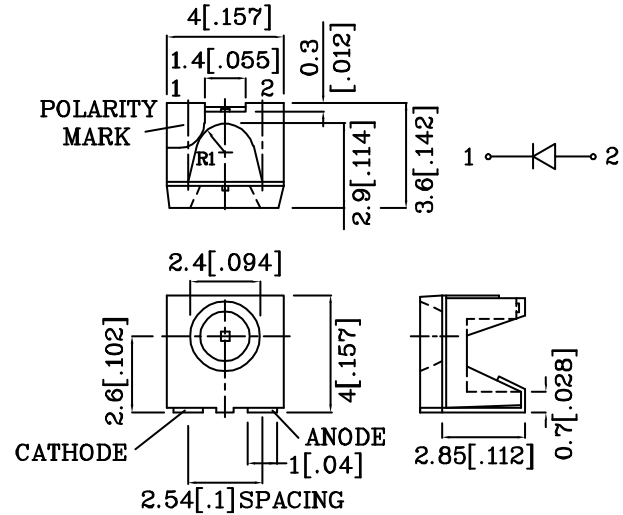


❖ Tape Specification (Units : mm)



Features

- SINGLE COLOR.
- SUITABLE FOR ALL SMT ASSEMBLY AND SOLDER PROCESS.
- AVAILABLE ON TAPE AND REEL.
- IDEAL FOR BACKLIGHTING.
- PACKAGE : 500PCS / REEL.



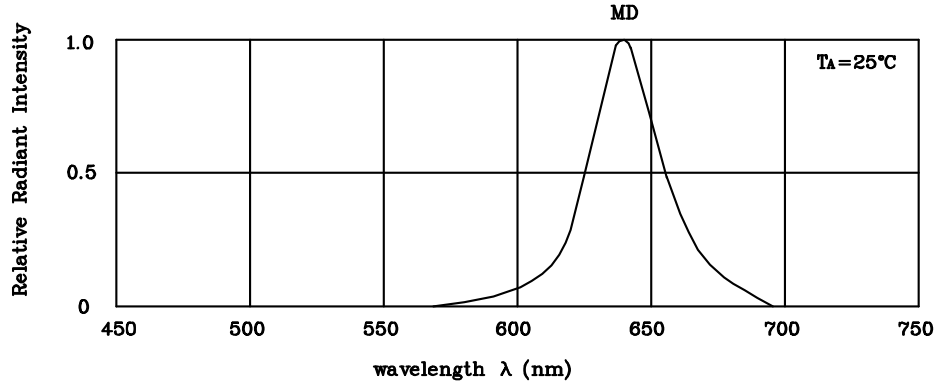
Notes:

1. All dimensions are in millimeters (inches).
2. Tolerance is $\pm 0.25(0.01)$ unless otherwise noted.

Absolute maximum ratings (TA=25°C)		MD (InGaAlP)	Unit
Reverse voltage	VR	5	V
Forward current	IF	30	mA
Forward current (peak) 1/10Duty cycle 0.1ms pulse width	iFS	185	mA
Power dissipation	PT	170	mW
Operating temperature	TA	-40 ~ +85	°C
Storage temperature	Tstg	-40 ~ +85	

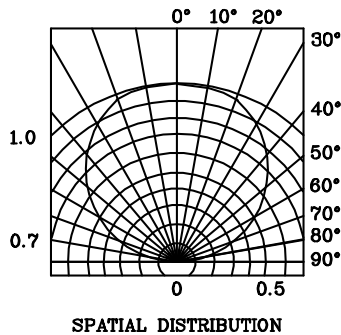
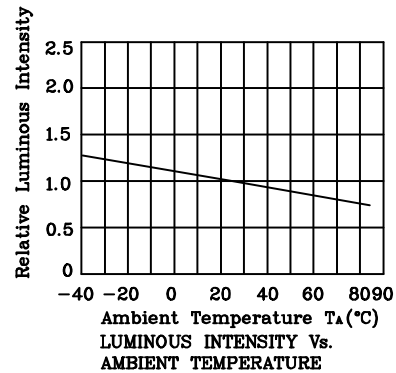
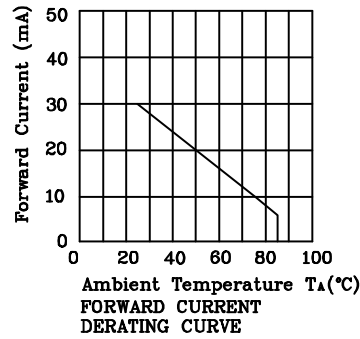
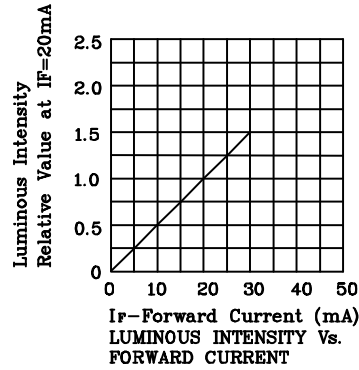
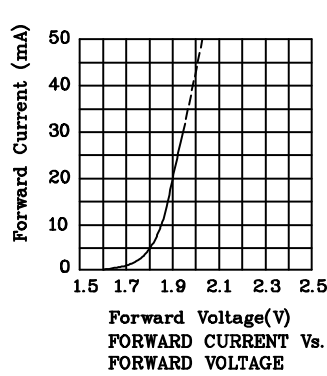
Operating Characteristics (TA=25°C)		MD (InGaAlP)	Unit
Forward voltage (typ.) (IF=20mA)	VF	1.9	V
Forward voltage (max.) (IF=20mA)	VF	2.5	V
Reverse current (VR=5V)	IR	10	uA
Wavelength at peak emission (IF=20mA)	λ peak	640	nm
Wavelength at Dominate emission (IF=20mA)	λ D	628	nm
Spectral Line half- width (IF=20mA)	$\Delta\lambda$	27	nm
Capacitance (VF=0V, f=1MHz)	C	45	pF

Part Number	Emitting Color	Emitting Material	Lens-color	Luminous Intensity (IF=20mA) med		Wavelength nm λ P	Viewing Angle 2θ 1/2
				min.	typ.		
XZMD67W	Red	InGaAlP	Water Clear	70	198	640	120°
Published Date : JUL 28,2003 Drawing No :XDSA1646 V4 Checked : B.L.LIU P1/3							

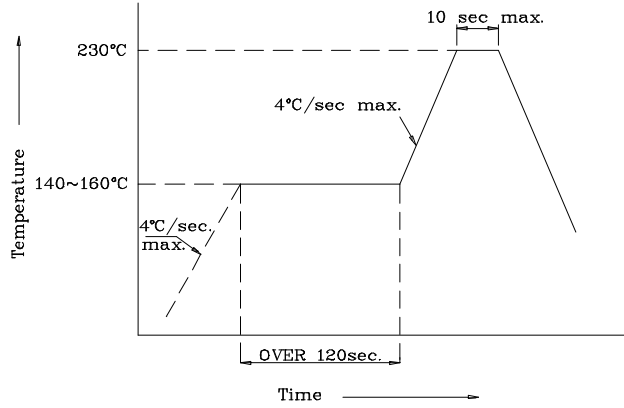


RELATIVE INTENSITY Vs. WAVELENGTH

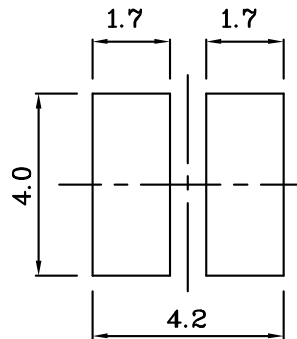
❖ MD



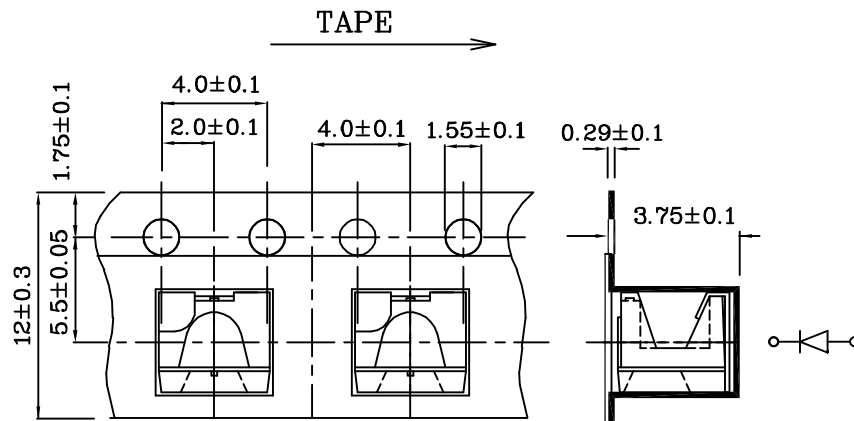
❖ SMT Reflow Soldering Instructions



❖ Recommended Soldering Pattern (Units : mm;Tolerance: ± 0.1)

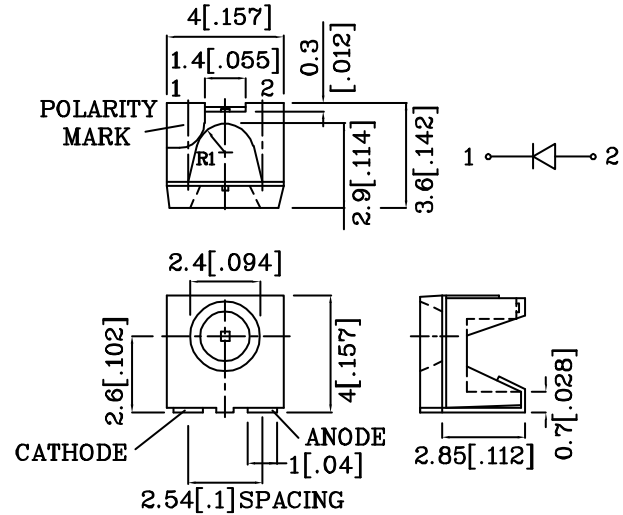


❖ Tape Specification (Units : mm)



Features

- SINGLE COLOR.
- SUITABLE FOR ALL SMT ASSEMBLY AND SOLDER PROCESS.
- AVAILABLE ON TAPE AND REEL.
- IDEAL FOR BACKLIGHTING.
- PACKAGE : 500PCS / REEL.



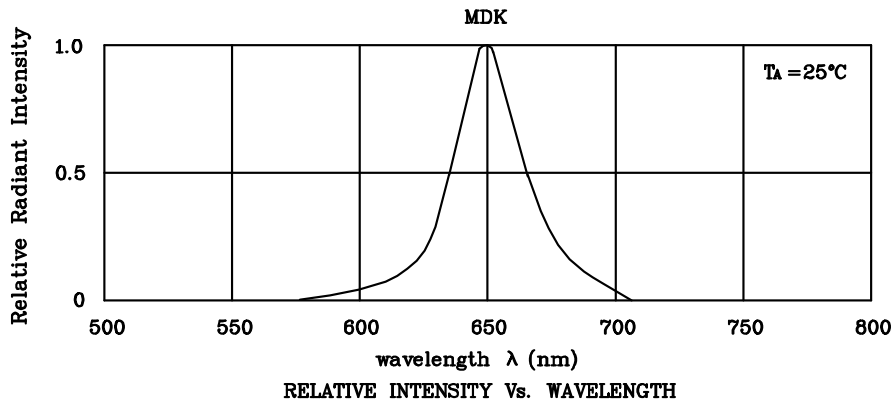
Notes:

1. All dimensions are in millimeters (inches).
2. Tolerance is $\pm 0.25(0.01)$ unless otherwise noted.

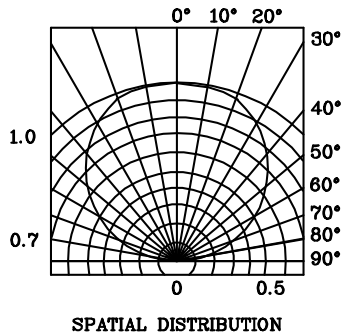
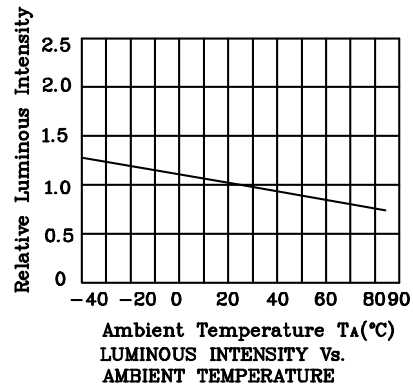
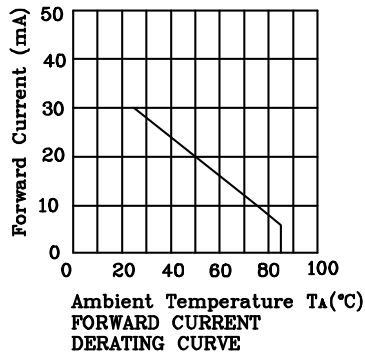
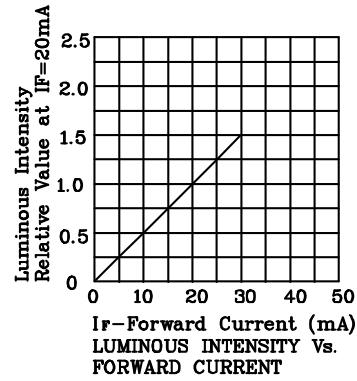
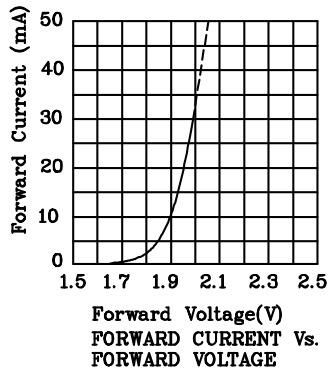
Absolute maximum ratings ($T_A=25^\circ\text{C}$)		MDK (InGaAlP)	Unit
Reverse voltage	V_R	5	V
Forward current	I_F	30	mA
Forward current (peak) 1/10Duty cycle 0.1ms pulse width	i_{FS}	185	mA
Power dissipation	P_T	170	mW
Operating temperature	T_A	-40 ~ +85	°C
Storage temperature	T_{stg}	-40 ~ +85	

Operating Characteristics ($T_A=25^\circ\text{C}$)		MDK (InGaAlP)	Unit
Forward voltage (typ.) ($I_F=20\text{mA}$)	V_F	1.95	V
Forward voltage (max.) ($I_F=20\text{mA}$)	V_F	2.5	V
Reverse current ($V_R=5\text{V}$)	I_R	10	μA
Wavelength at peak emission ($I_F=20\text{mA}$)	λ_{peak}	650	nm
Wavelength at Dominate emission ($I_F=20\text{mA}$)	λ_D	635	nm
Spectral Line halfwidth ($I_F=20\text{mA}$)	$\Delta\lambda$	28	nm
Capacitance ($V_F=0\text{V}$, $f=1\text{MHz}$)	C	35	pF

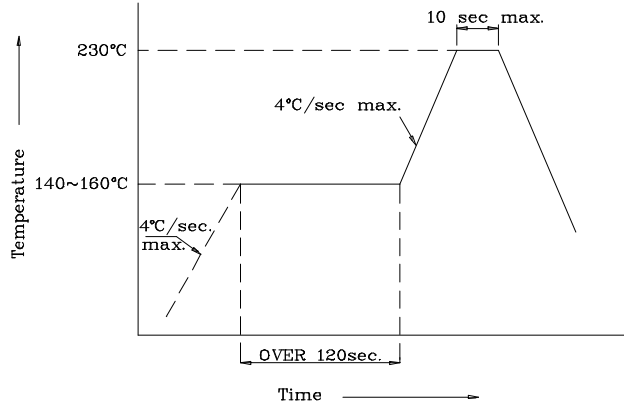
Part Number	Emitting Color	Emitting Material	Lens-color	Luminous Intensity ($I_F=20\text{mA}$) med		Wavelength nm λ_P	Viewing Angle 2θ 1/2
				min.	typ.		
XZMDK67W	Red	InGaAlP	Water Clear	70	178	650	120°
Published Date : JUL 30,2003		Drawing No :XDSA1645		V3		Checked : B.L.LIU P1/3	



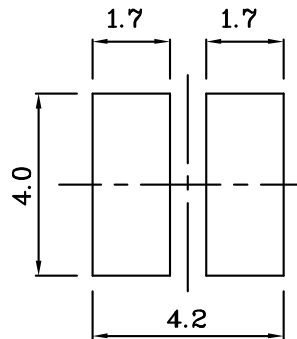
❖ MDK



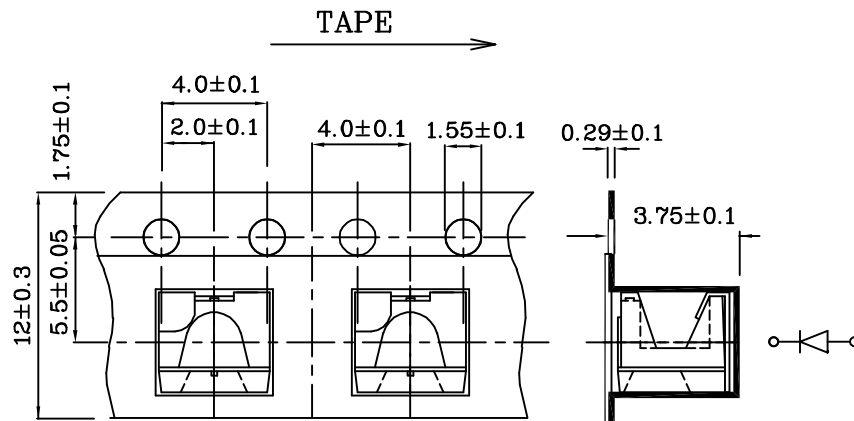
❖ SMT Reflow Soldering Instructions



❖ Recommended Soldering Pattern (Units : mm;Tolerance: ± 0.1)

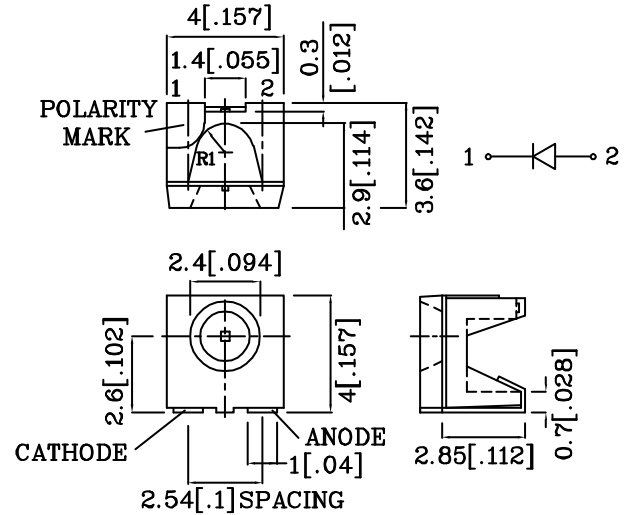


❖ Tape Specification (Units : mm)



Features

- SINGLE COLOR.
- SUITABLE FOR ALL SMT ASSEMBLY AND SOLDER PROCESS.
- AVAILABLE ON TAPE AND REEL.
- IDEAL FOR BACKLIGHTING.
- PACKAGE : 500PCS / REEL.



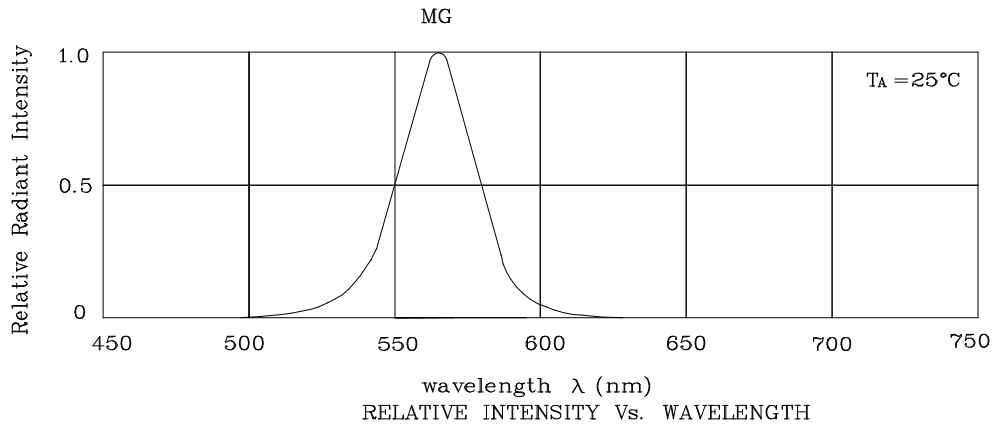
Notes:

1. All dimensions are in millimeters (inches).
2. Tolerance is ± 0.25(0.01") unless otherwise noted.

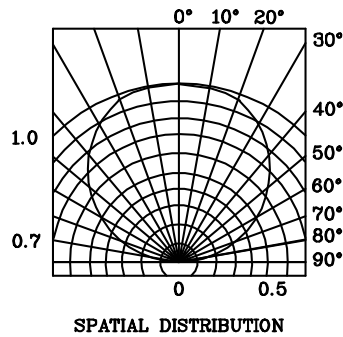
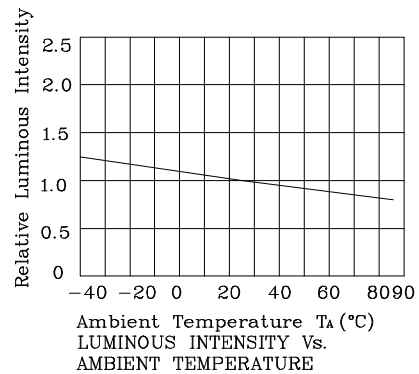
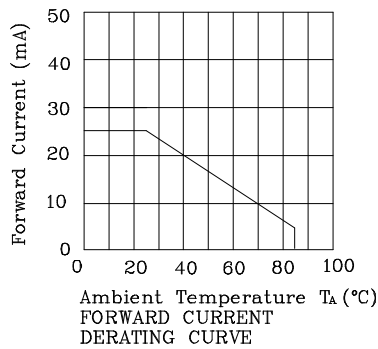
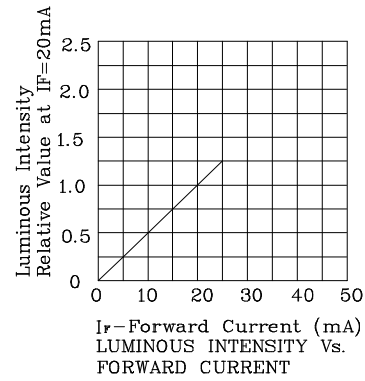
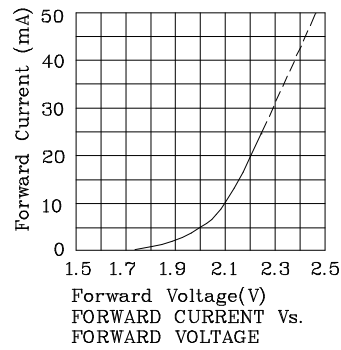
Absolute maximum ratings (TA=25°C)		MG (GaP)	Unit
Reverse voltage	V _R	5	V
Forward current	I _F	25	mA
Forward current (peak) 1/10Duty cycle 0.1ms pulse width	i _{FS}	140	mA
Power dissipation	P _T	105	mW
Operating temperature	T _A	-40 ~ +85	°C
Storage temperature	T _{stg}	-40 ~ +85	

Operating Characteristics (TA=25°C)		MG (GaP)	Unit
Forward voltage (typ.) (I _F =20mA)	V _F	2.2	V
Forward voltage (max.) (I _F =20mA)	V _F	2.5	V
Reverse current (V _R =5V)	I _R	10	uA
Wavelength at peak emission (I _F =20mA)	λ peak	565	nm
Wavelength at Dominate emission (I _F =20mA)	λ D	568	nm
Spectral Line half-width (I _F =20mA)	Δλ	30	nm
Capacitance (V _F =0V, f=1MHz)	C	15	pF

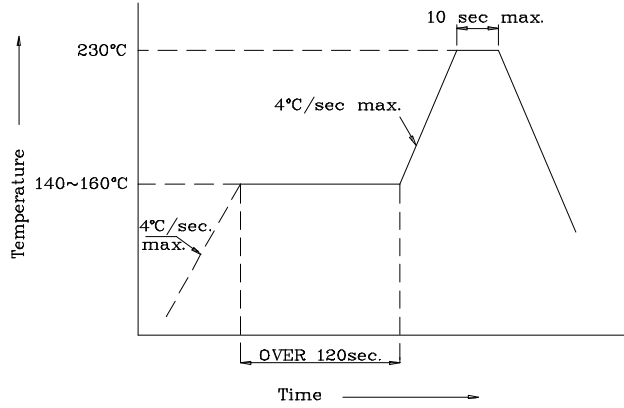
Part Number	Emitting Color	Emitting Material	Lens-color	Luminous Intensity (I _F =20mA) med		Wavelength nm λ P	Viewing Angle 2 θ 1/2
				min.	typ.		
XZMG67W	Green	GaP	Water Clear	10	24	565	120°
Published Date : JUL 28,2003 Drawing No :XDSA1649 V4 Checked : B.L.LIU P1/3							



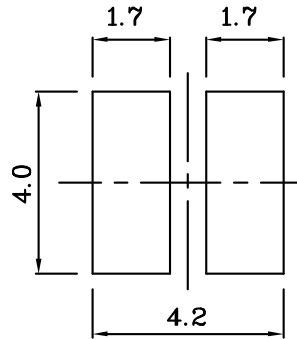
❖ MG



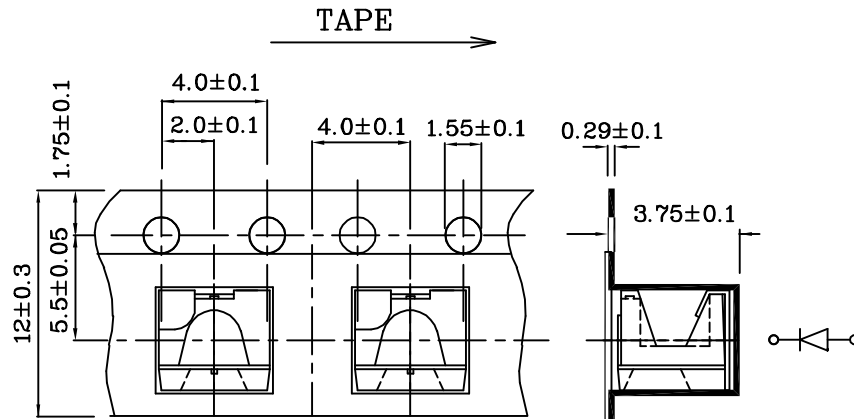
❖ SMT Reflow Soldering Instructions



❖ Recommended Soldering Pattern (Units : mm;Tolerance: ± 0.1)

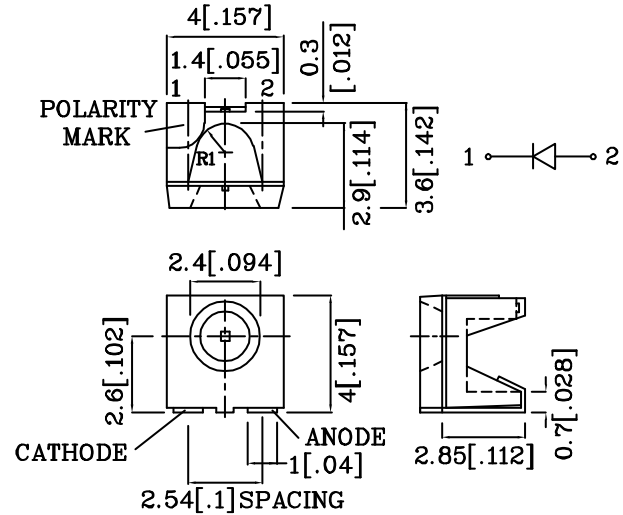


❖ Tape Specification (Units : mm)



Features

- SINGLE COLOR.
- SUITABLE FOR ALL SMT ASSEMBLY AND SOLDER PROCESS.
- AVAILABLE ON TAPE AND REEL.
- IDEAL FOR BACKLIGHTING.
- PACKAGE : 500PCS / REEL.



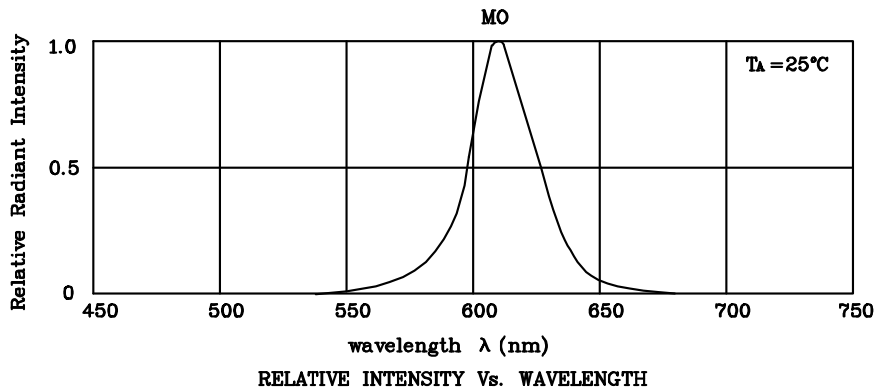
Notes:

1. All dimensions are in millimeters (inches).
2. Tolerance is $\pm 0.25(0.01)$ unless otherwise noted.

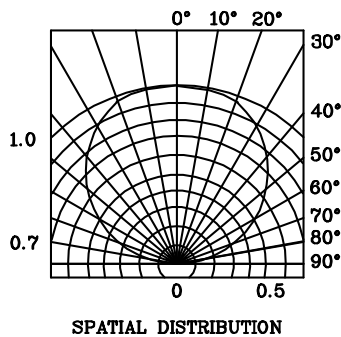
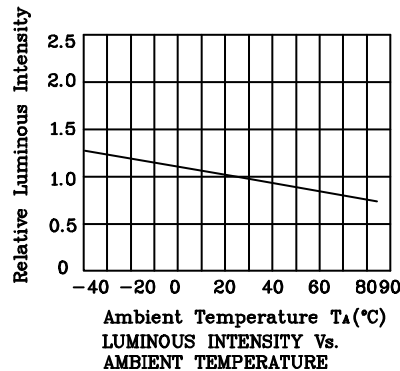
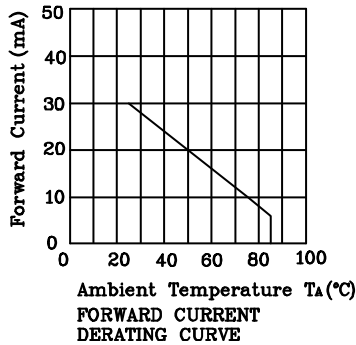
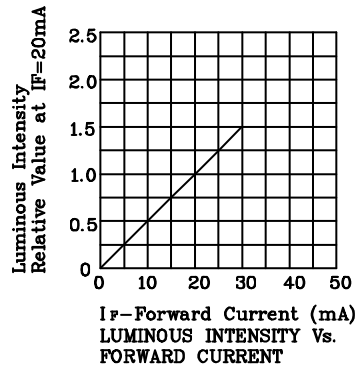
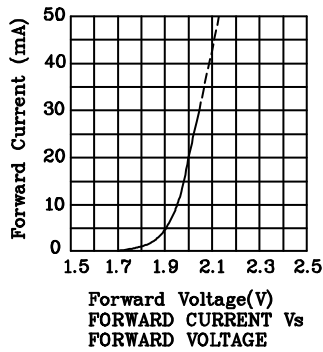
Absolute maximum ratings (TA=25°C)		MO (InGaAlP)	Unit
Reverse voltage	VR	5	V
Forward current	IF	30	mA
Forward current (peak) 1/10Duty cycle 0.1ms pulse width	IFs	195	mA
Power dissipation	PT	75	mW
Operating temperature	TA	-40 ~ +85	°C
Storage temperature	Tstg	-40 ~ +85	

Operating Characteristics (TA=25°C)		MO (InGaAlP)	Unit
Forward voltage (typ.) (IF=20mA)	VF	2.0	V
Forward voltage (max.) (IF=20mA)	VF	2.5	V
Reverse current (VR=5V)	IR	10	uA
Wavelength at peak emission (IF=20mA)	λ peak	610	nm
Wavelength at Dominate emission (IF=20mA)	λ D	601	nm
Spectral Line half-width (IF=20mA)	$\Delta\lambda$	29	nm
Capacitance (VF=0V, f=1MHz)	C	30	pF

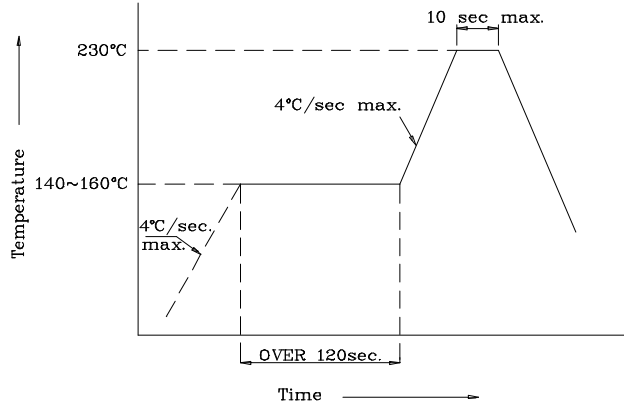
Part Number	Emitting Color	Emitting Material	Lens-color	Luminous Intensity (IF=20mA) med		Wavelength nm λ P	Viewing Angle 2θ 1/2
				min.	typ.		
XZMO67W	Orange	InGaAlP	Water Clear	180	345	610	120°
Published Date : JUL 30,2003				Drawing No :XDSA1648		V3	Checked : B.L.LIU P1/3



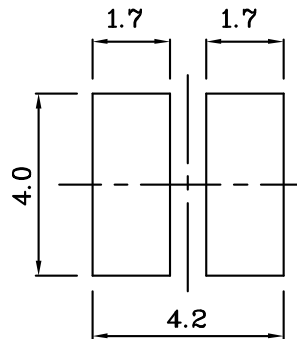
❖ **MO**



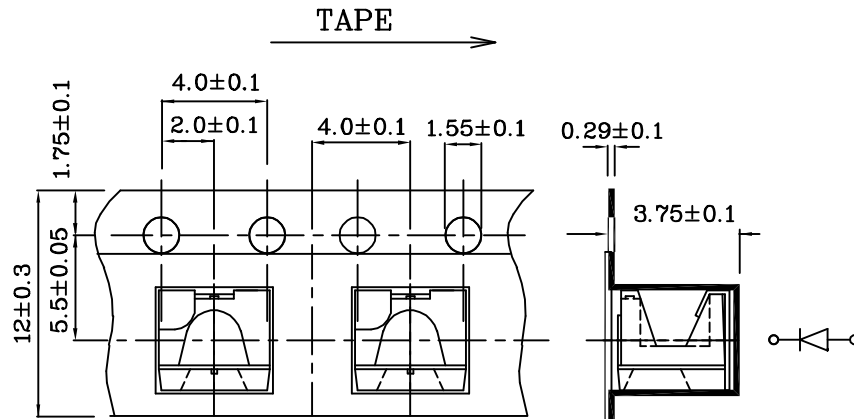
❖ SMT Reflow Soldering Instructions



❖ Recommended Soldering Pattern (Units : mm;Tolerance: ± 0.1)

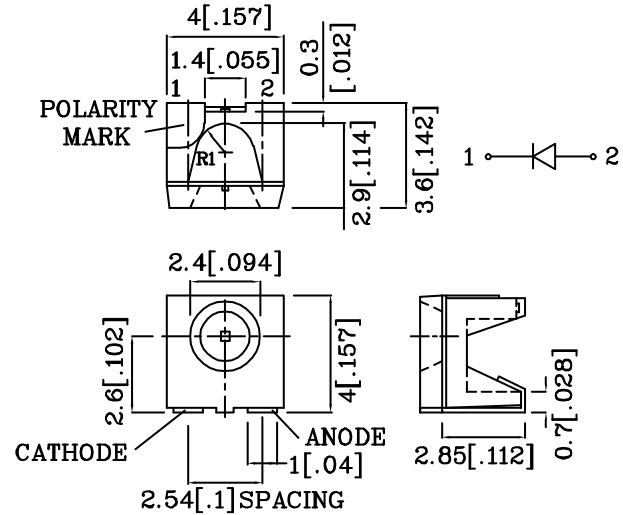


❖ Tape Specification (Units : mm)



Features

- SINGLE COLOR.
- SUITABLE FOR ALL SMT ASSEMBLY AND SOLDER PROCESS.
- AVAILABLE ON TAPE AND REEL.
- IDEAL FOR BACKLIGHTING.
- PACKAGE : 500PCS / REEL.



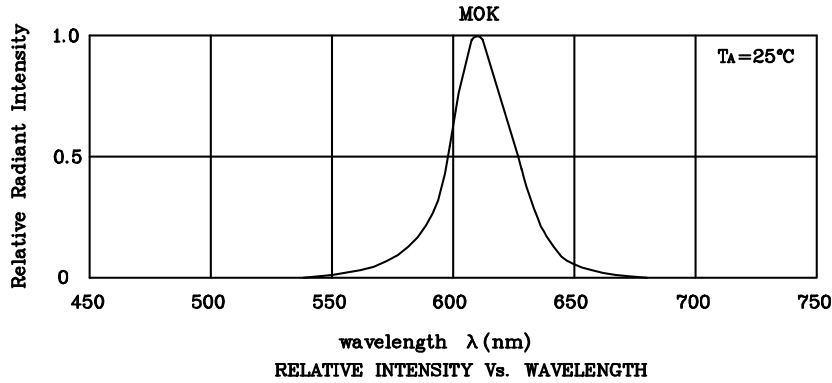
Notes:

1. All dimensions are in millimeters (inches).
2. Tolerance is $\pm 0.25(0.01)$ unless otherwise noted.

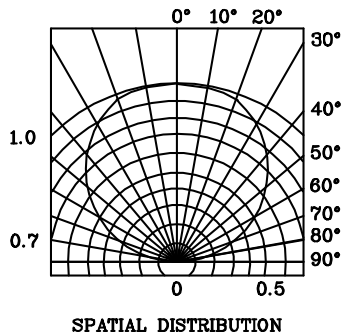
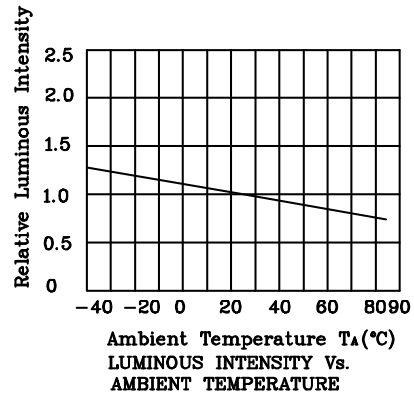
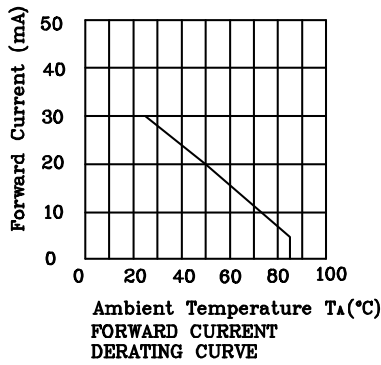
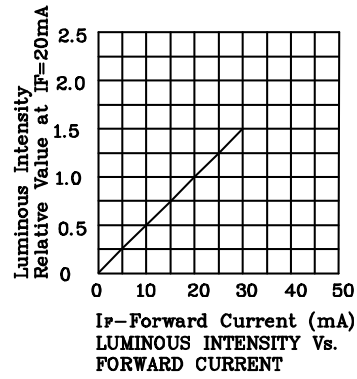
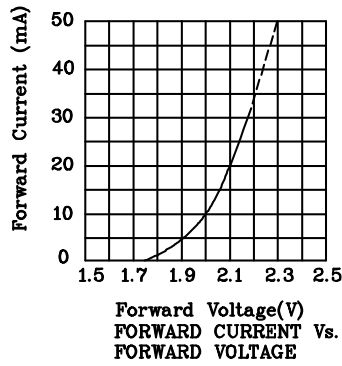
Absolute maximum ratings ($T_A=25^\circ\text{C}$)		MOK (InGaAlP)	Unit
Reverse voltage	V_R	5	V
Forward current	I_F	30	mA
Forward current (peak) 1/10Duty cycle 0.1ms pulse width	i_{FS}	195	mA
Power dissipation	P_T	75	mW
Operating temperature	T_A	-40 ~ +85	°C
Storage temperature	T_{stg}	-40 ~ +85	

Operating Characteristics ($T_A=25^\circ\text{C}$)		MOK (InGaAlP)	Unit
Forward voltage (typ.) ($I_F=20\text{mA}$)	V_F	2.1	V
Forward voltage (max.) ($I_F=20\text{mA}$)	V_F	2.5	V
Reverse current ($V_R=5\text{V}$)	I_R	10	μA
Wavelength at peak emission ($I_F=20\text{mA}$)	λ_{peak}	610	nm
Wavelength at Dominate emission ($I_F=20\text{mA}$)	λ_D	601	nm
Spectral Line halfwidth ($I_F=20\text{mA}$)	$\Delta\lambda$	29	nm
Capacitance ($V_F=0\text{V}$, $f=1\text{MHz}$)	C	15	pF

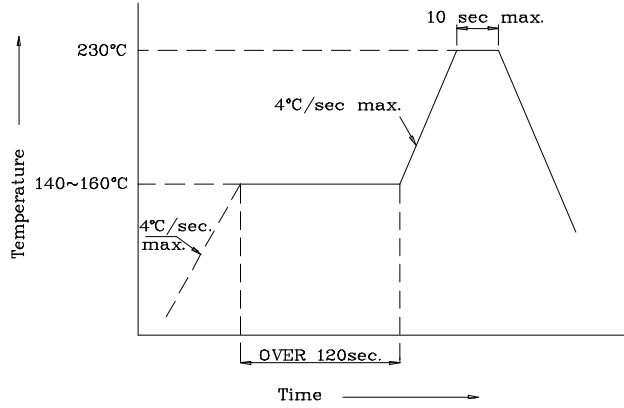
Part Number	Emitting Color	Emitting Material	Lens-color	Luminous Intensity ($I_F=20\text{mA}$) med		Wavelength nm λ_P	Viewing Angle 2θ 1/2
				min.	typ.		
XZMOK67W	Orange	InGaAlP	Water Clear	70	169	610	120°
Published Date : JUL 30,2003		Drawing No :XDSA1647		V3	Checked : B.L.LIU		P1/3



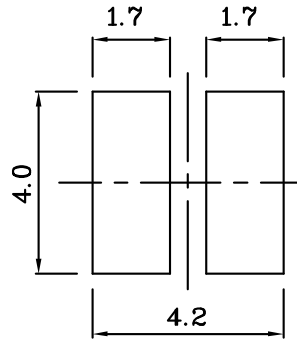
❖ **MOK**



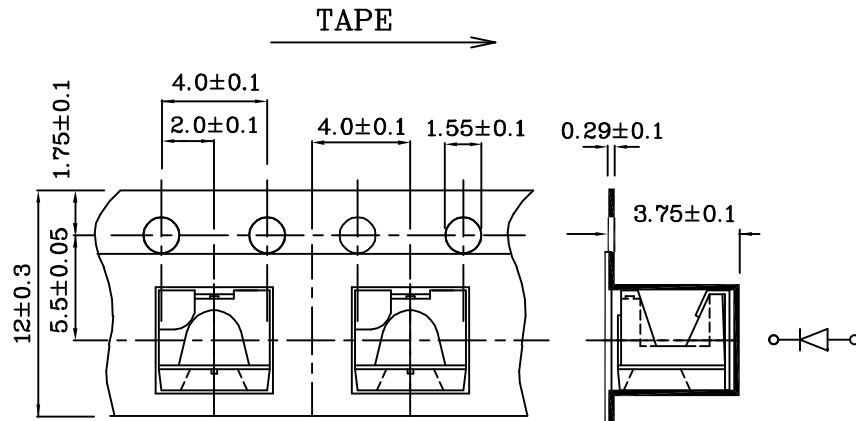
❖ SMT Reflow Soldering Instructions



❖ Recommended Soldering Pattern (Units : mm;Tolerance: ± 0.1)

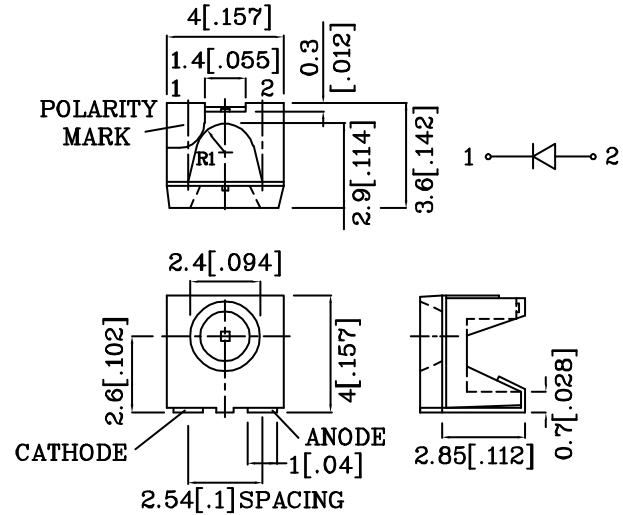


❖ Tape Specification (Units : mm)



Features

- SINGLE COLOR.
- SUITABLE FOR ALL SMT ASSEMBLY AND SOLDER PROCESS.
- AVAILABLE ON TAPE AND REEL.
- IDEAL FOR BACKLIGHTING.
- PACKAGE : 500PCS / REEL.



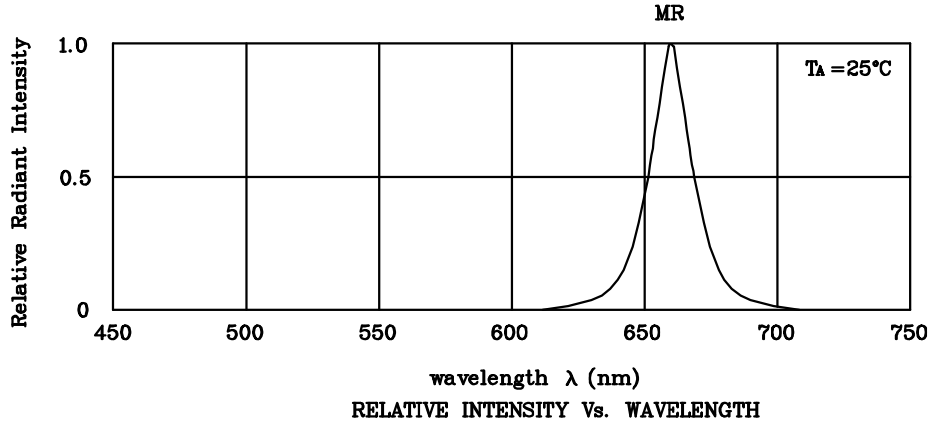
Notes:

1. All dimensions are in millimeters (inches).
2. Tolerance is $\pm 0.25(0.01)$ unless otherwise noted.

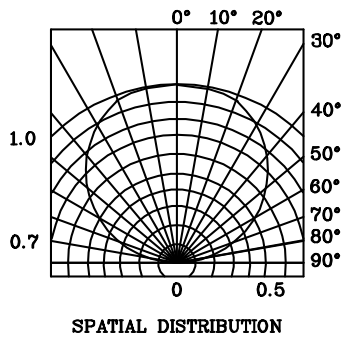
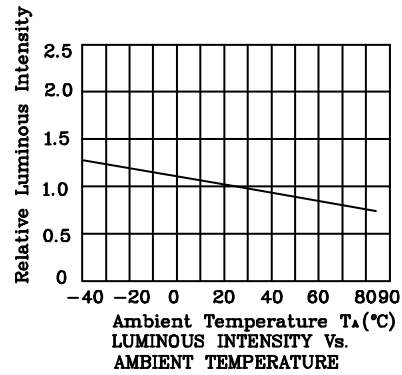
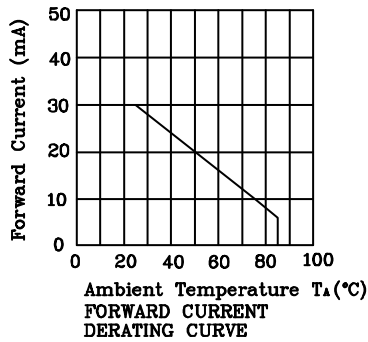
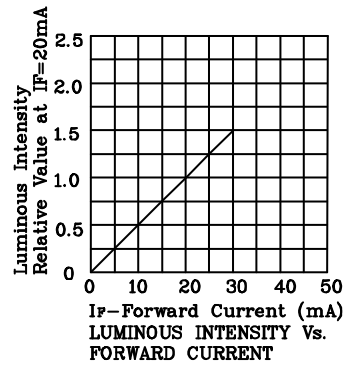
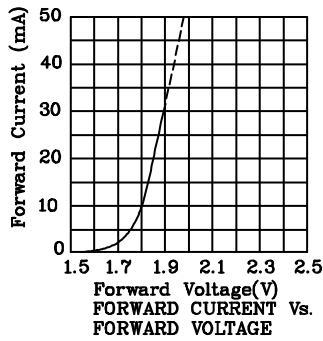
Absolute maximum ratings ($T_A=25^\circ\text{C}$)		MR (GaAlAs)	Unit
Reverse voltage	V_R	5	V
Forward current	I_F	30	mA
Forward current (peak) 1/10Duty cycle 0.1ms pulse width	i_{FS}	155	mA
Power dissipation	P_T	100	mW
Operating temperature	T_A	-40 ~ +85	°C
Storage temperature	T_{stg}	-40 ~ +85	

Operating Characteristics ($T_A=25^\circ\text{C}$)		MR (GaAlAs)	Unit
Forward voltage (typ.) ($I_F=20\text{mA}$)	V_F	1.85	V
Forward voltage (max.) ($I_F=20\text{mA}$)	V_F	2.5	V
Reverse current ($V_R=5\text{V}$)	I_R	10	μA
Wavelength at peak emission ($I_F=20\text{mA}$)	λ_{peak}	660	nm
Wavelength at Dominate emission ($I_F=20\text{mA}$)	λ_D	640	nm
Spectral Line half-width ($I_F=20\text{mA}$)	$\Delta\lambda$	20	nm
Capacitance ($V_F=0\text{V}$, $f=1\text{MHz}$)	C	45	pF

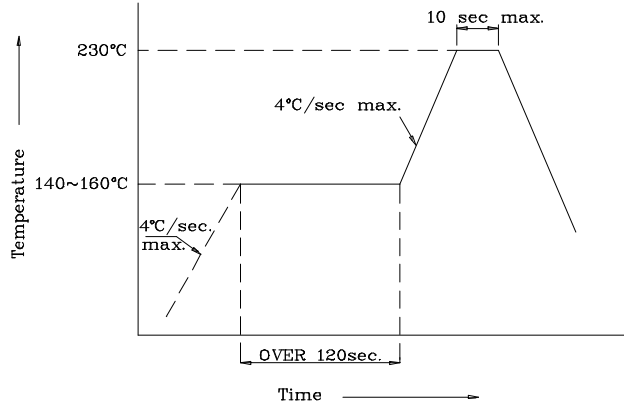
Part Number	Emitting Color	Emitting Material	Lens-color	Luminous Intensity ($I_F=20\text{mA}$) med		Wavelength nm λ_P	Viewing Angle 2θ 1/2
				min.	typ.		
XZMR67W	Red	GaAlAs	Water Clear	50	118	660	120°
Published Date : JUL 28,2003 Drawing No :XDSA1644 V3 Checked : B.L.LIU P1/3							



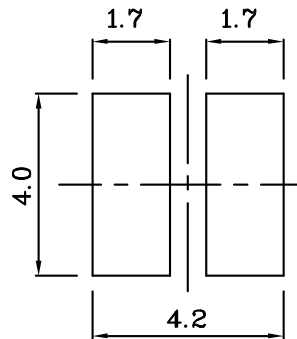
❖ MR



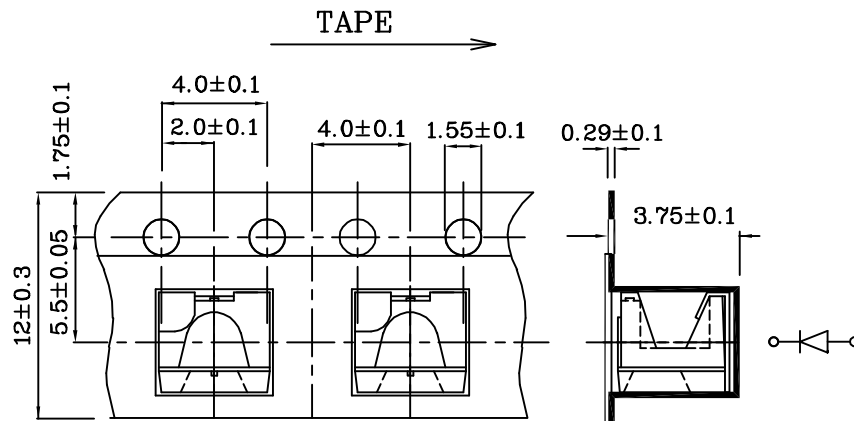
❖ SMT Reflow Soldering Instructions



❖ Recommended Soldering Pattern (Units : mm;Tolerance: ± 0.1)

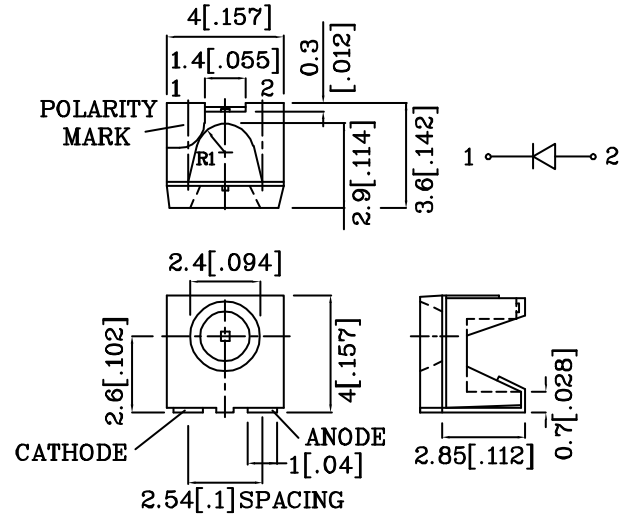


❖ Tape Specification (Units : mm)



Features

- SINGLE COLOR.
- SUITABLE FOR ALL SMT ASSEMBLY AND SOLDER PROCESS.
- AVAILABLE ON TAPE AND REEL.
- IDEAL FOR BACKLIGHTING.
- PACKAGE : 500PCS / REEL.



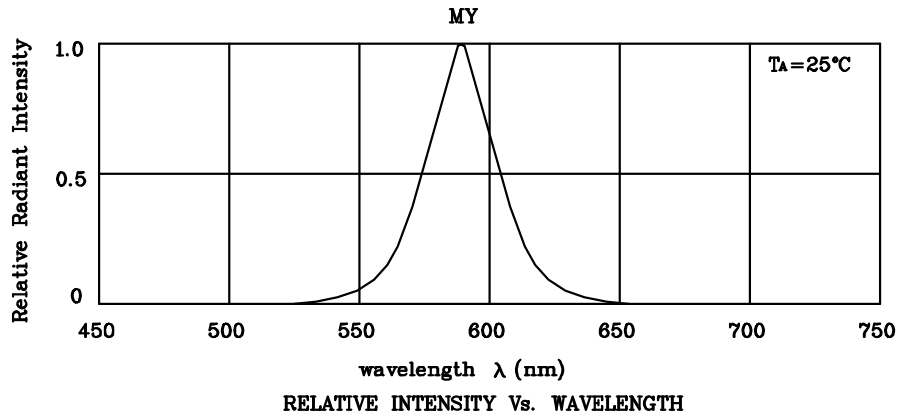
Notes:

1. All dimensions are in millimeters (inches).
2. Tolerance is $\pm 0.25(0.01")$ unless otherwise noted.

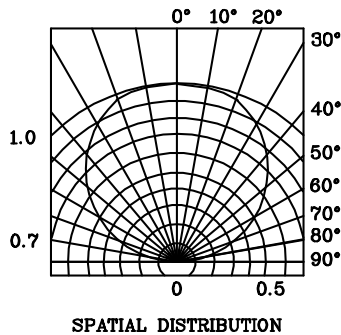
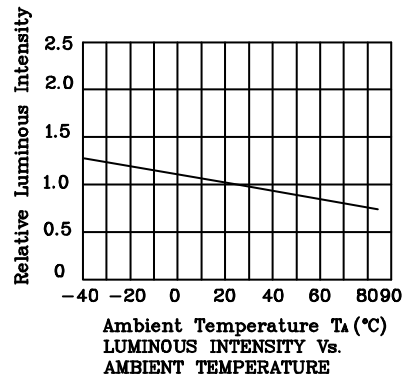
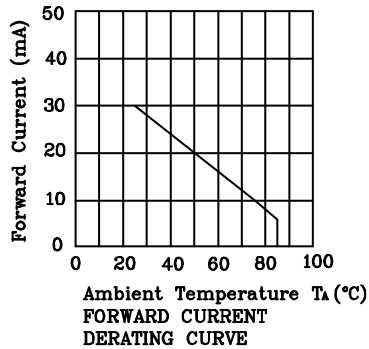
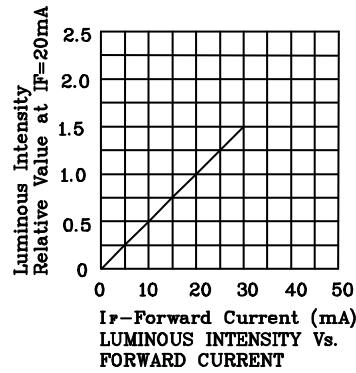
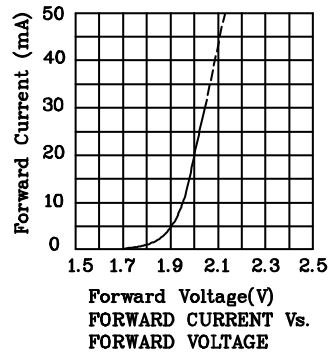
Absolute maximum ratings ($T_A=25^\circ\text{C}$)		MY (InGaAlP)	Unit
Reverse voltage	V_R	5	V
Forward current	I_F	30	mA
Forward current (peak) 1/10Duty cycle 0.1ms pulse width	i_{FS}	150	mA
Power dissipation	P_T	125	mW
Operating temperature	T_A	-40 ~ +85	°C
Storage temperature	T_{stg}	-40 ~ +85	

Operating Characteristics ($T_A=25^\circ\text{C}$)		MY (InGaAlP)	Unit
Forward voltage (typ.) ($I_F=20\text{mA}$)	V_F	2.0	V
Forward voltage (max.) ($I_F=20\text{mA}$)	V_F	2.5	V
Reverse current ($V_R=5\text{V}$)	I_R	10	μA
Wavelength at peak emission ($I_F=20\text{mA}$)	λ_{peak}	590	nm
Wavelength at Dominate emission ($I_F=20\text{mA}$)	λ_D	588	nm
Spectral Line half-width ($I_F=20\text{mA}$)	$\Delta\lambda$	28	nm
Capacitance ($V_F=0\text{V}$, $f=1\text{MHz}$)	C	25	pF

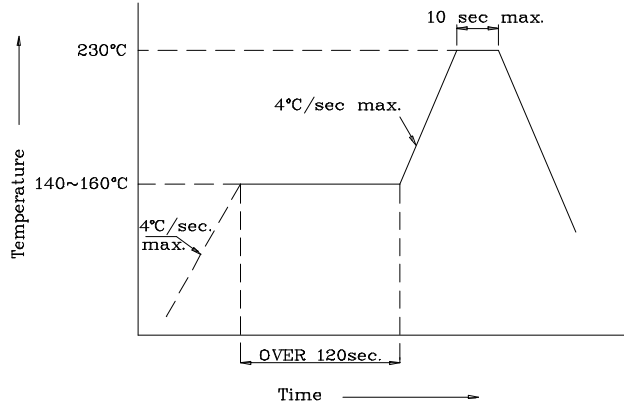
Part Number	Emitting Color	Emitting Material	Lens-color	Luminous Intensity ($I_F=20\text{mA}$) med		Wavelength nm λ_P	Viewing Angle 2θ 1/2
				min.	typ.		
XZMY67W	Yellow	InGaAlP	Water Clear	50	118	590	120°
Published Date : JUL 30,2003				Drawing No :XDSA1657		V3 Checked : B.L.LIU P1/3	



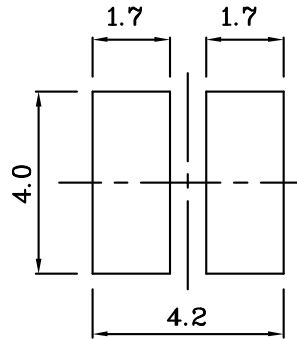
❖ MY



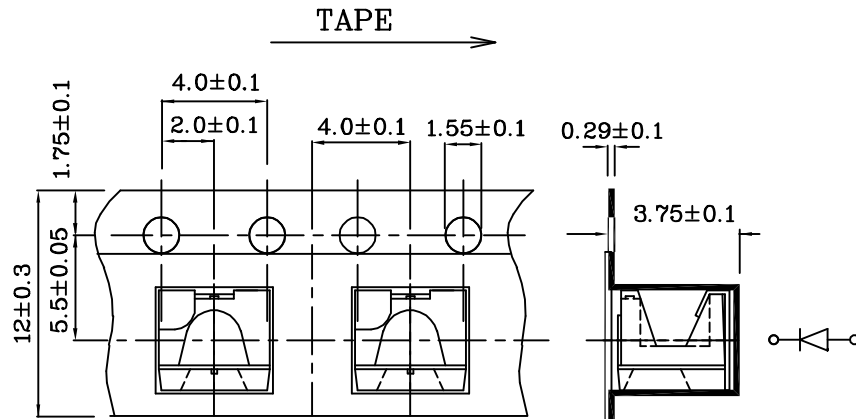
❖ SMT Reflow Soldering Instructions



❖ Recommended Soldering Pattern (Units : mm;Tolerance: ± 0.1)

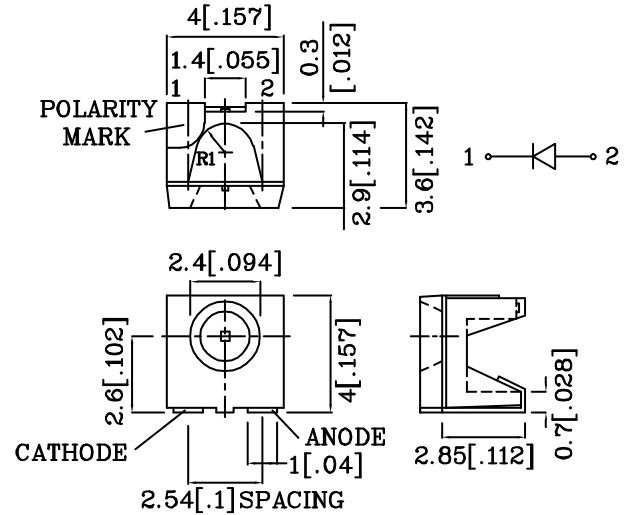


❖ Tape Specification (Units : mm)



Features

- SINGLE COLOR.
- SUITABLE FOR ALL SMT ASSEMBLY AND SOLDER PROCESS.
- AVAILABLE ON TAPE AND REEL.
- IDEAL FOR BACKLIGHTING.
- PACKAGE : 500PCS / REEL.



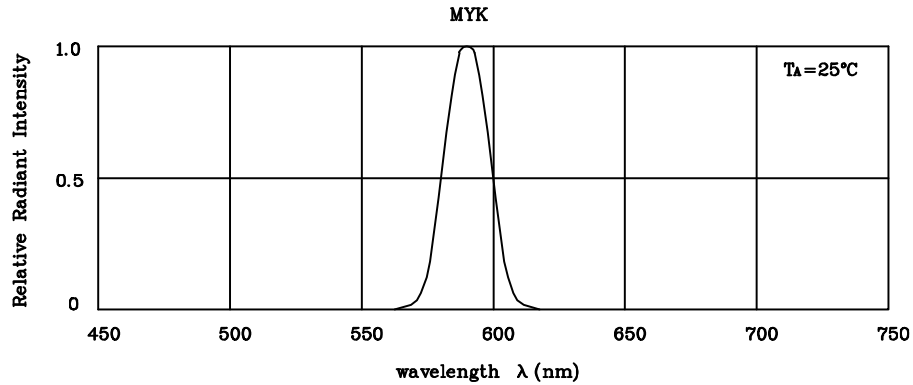
Notes:

1. All dimensions are in millimeters (inches).
2. Tolerance is $\pm 0.25(0.01)$ unless otherwise noted.

Absolute maximum ratings ($T_A=25^\circ\text{C}$)		MYK (InGaAlP)	Unit
Reverse voltage	V_R	5	V
Forward current	I_F	30	mA
Forward current (peak) 1/10Duty cycle 0.1ms pulse width	i_{FS}	175	mA
Power dissipation	P_T	125	mW
Operating temperature	T_A	-40 ~ +85	°C
Storage temperature	T_{stg}	-40 ~ +85	

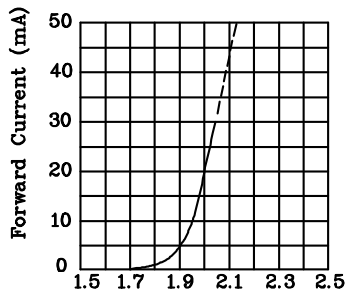
Operating Characteristics ($T_A=25^\circ\text{C}$)		MYK (InGaAlP)	Unit
Forward voltage (typ.) ($I_F=20\text{mA}$)	V_F	2.0	V
Forward voltage (max.) ($I_F=20\text{mA}$)	V_F	2.5	V
Reverse current ($V_R=5\text{V}$)	I_R	10	μA
Wavelength at peak emission ($I_F=20\text{mA}$)	λ_{peak}	590	nm
Wavelength at Dominate emission ($I_F=20\text{mA}$)	λ_D	590	nm
Spectral Line half-width ($I_F=20\text{mA}$)	$\Delta\lambda$	20	nm
Capacitance ($V_F=0\text{V}$, $f=1\text{MHz}$)	C	20	pF

Part Number	Emitting Color	Emitting Material	Lens-color	Luminous Intensity ($I_F=20\text{mA}$) med		Wavelength nm λ_P	Viewing Angle 2θ 1/2
				min.	typ.		
XZMYK67W	Yellow	InGaAlP	Water Clear	50	78	590	120°
Published Date : JUL 30,2003		Drawing No :XDSA1656		V3	Checked : B.L.LIU		P1/3

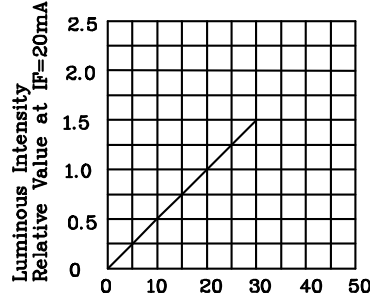


RELATIVE INTENSITY Vs. WAVELENGTH

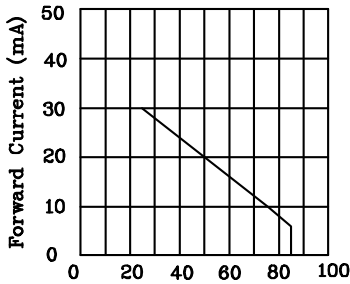
❖ MYK



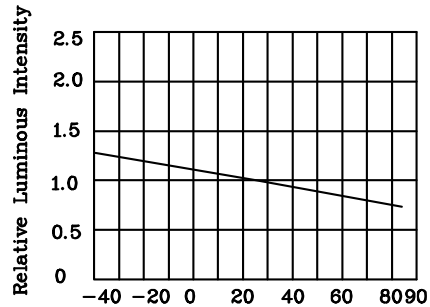
Forward Voltage(V)
 FORWARD CURRENT Vs.
 FORWARD VOLTAGE



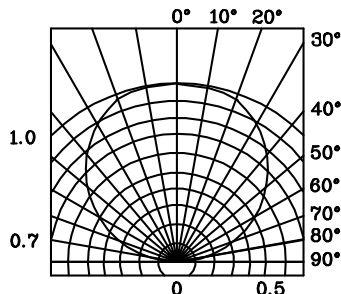
I_F - Forward Current (mA)
 LUMINOUS INTENSITY Vs.
 FORWARD CURRENT



Ambient Temperature T_A ($^\circ\text{C}$)
 FORWARD CURRENT
 DERATING CURVE

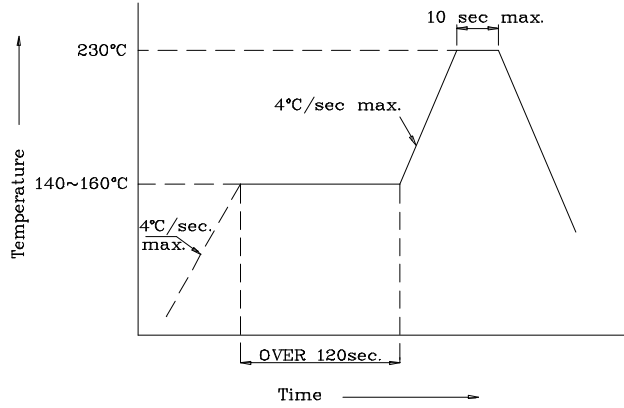


Ambient Temperature T_A ($^\circ\text{C}$)
 LUMINOUS INTENSITY Vs.
 AMBIENT TEMPERATURE

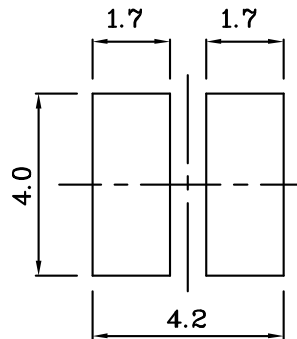


SPATIAL DISTRIBUTION

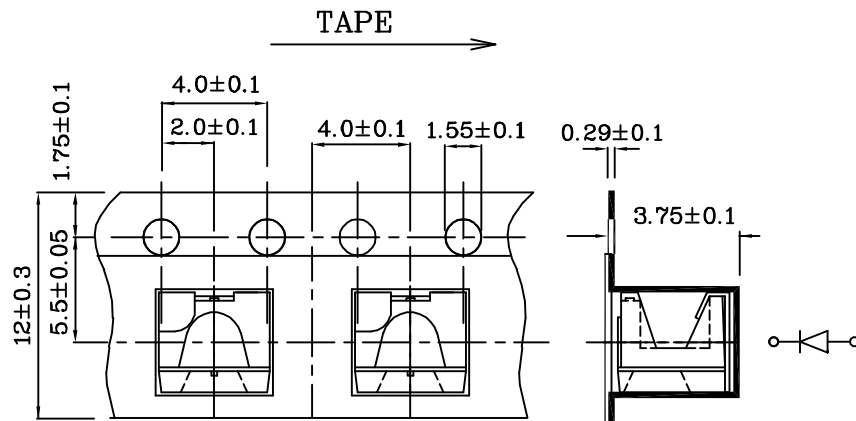
❖ SMT Reflow Soldering Instructions



❖ Recommended Soldering Pattern (Units : mm;Tolerance: ± 0.1)

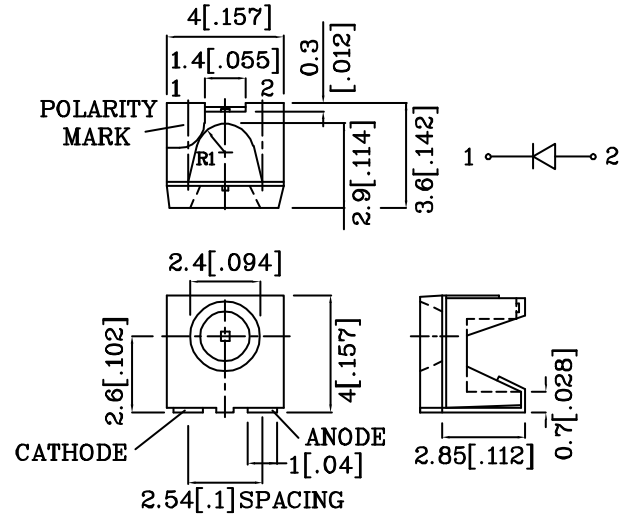


❖ Tape Specification (Units : mm)



Features

- SINGLE COLOR.
- SUITABLE FOR ALL SMT ASSEMBLY AND SOLDER PROCESS.
- AVAILABLE ON TAPE AND REEL.
- IDEAL FOR BACKLIGHTING.
- PACKAGE : 500PCS / REEL.



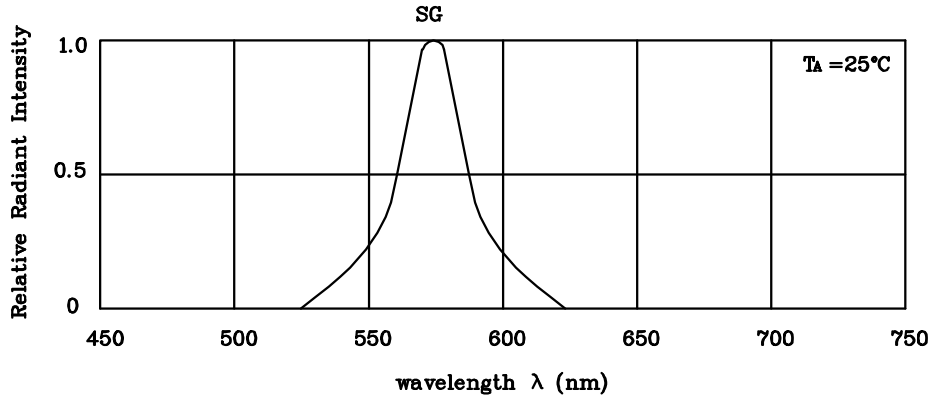
Notes:

1. All dimensions are in millimeters (inches).
2. Tolerance is $\pm 0.25(0.01)$ unless otherwise noted.

Absolute maximum ratings ($T_A=25^\circ\text{C}$)		SG (InGaAlP)	Unit
Reverse voltage	V_R	5	V
Forward current	I_F	30	mA
Forward current (peak) 1/10Duty cycle 0.1ms pulse width	i_{FS}	150	mA
Power dissipation	P_T	105	mW
Operating temperature	T_A	-40 ~ +85	°C
Storage temperature	T_{stg}	-40 ~ +85	

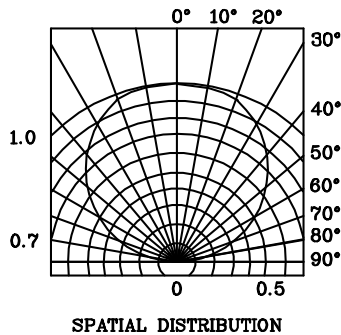
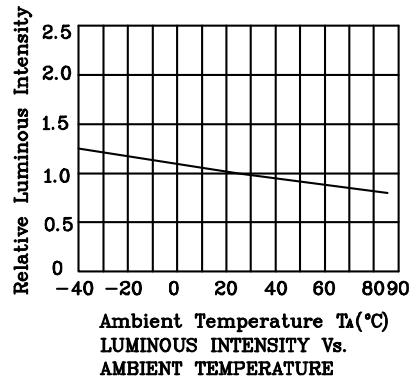
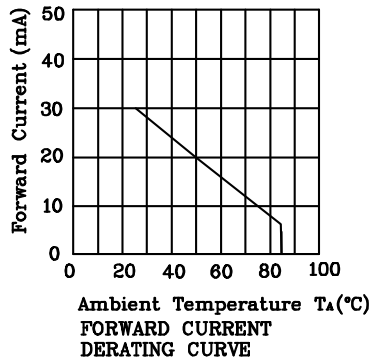
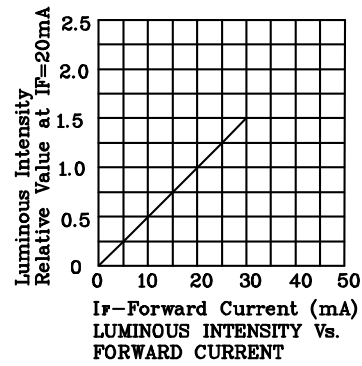
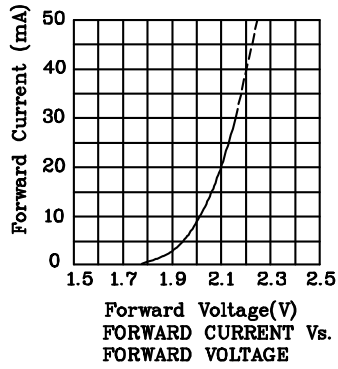
Operating Characteristics ($T_A=25^\circ\text{C}$)		SG (InGaAlP)	Unit
Forward voltage (typ.) ($I_F=20\text{mA}$)	V_F	2.1	V
Forward voltage (max.) ($I_F=20\text{mA}$)	V_F	2.5	V
Reverse current ($V_R=5\text{V}$)	I_R	10	μA
Wavelength at peak emission ($I_F=20\text{mA}$)	λ_{peak}	574	nm
Wavelength at Dominate emission ($I_F=20\text{mA}$)	λ_D	568	nm
Spectral Line half-width ($I_F=20\text{mA}$)	$\Delta\lambda$	26	nm
Capacitance ($V_F=0\text{V}$, $f=1\text{MHz}$)	C	20	pF

Part Number	Emitting Color	Emitting Material	Lens-color	Luminous Intensity ($I_F=20\text{mA}$) med		Wavelength nm λ_P	Viewing Angle 2θ 1/2
				min.	typ.		
XZSG67W	Green	InGaAlP	Water Clear	50	98	574	120°
Published Date : JUL 30,2003				Drawing No :XDSA1651		V3 Checked : B.L.LIU P1/3	

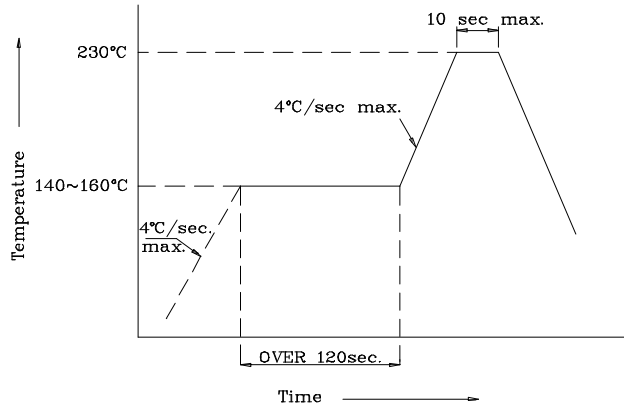


RELATIVE INTENSITY Vs. WAVELENGTH

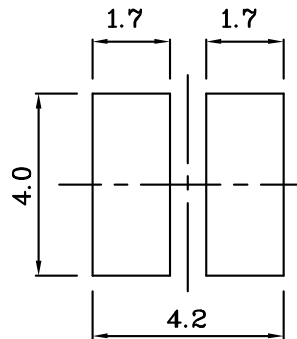
❖ SG



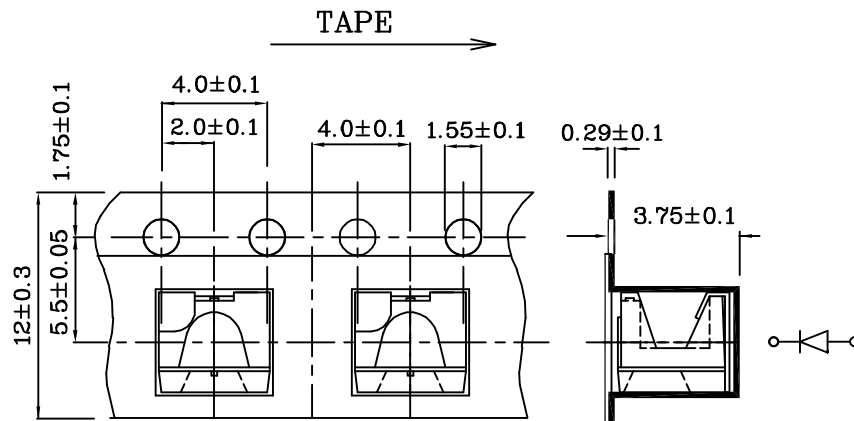
❖ SMT Reflow Soldering Instructions



❖ Recommended Soldering Pattern (Units : mm;Tolerance: ± 0.1)

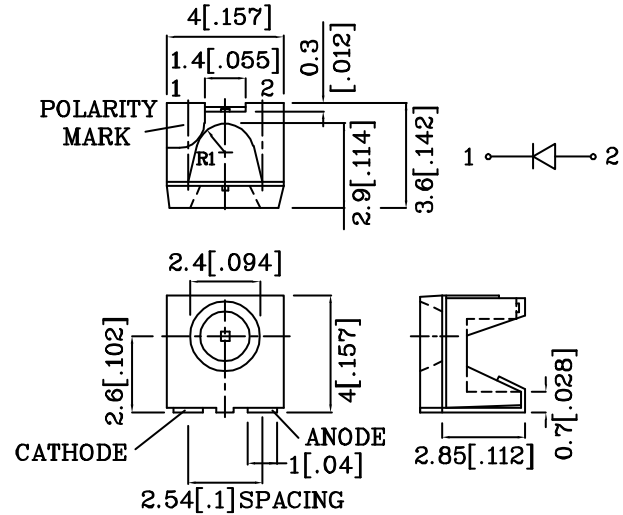


❖ Tape Specification (Units : mm)



Features

- SINGLE COLOR.
- SUITABLE FOR ALL SMT ASSEMBLY AND SOLDER PROCESS.
- AVAILABLE ON TAPE AND REEL.
- IDEAL FOR BACKLIGHTING.
- PACKAGE : 500PCS / REEL.



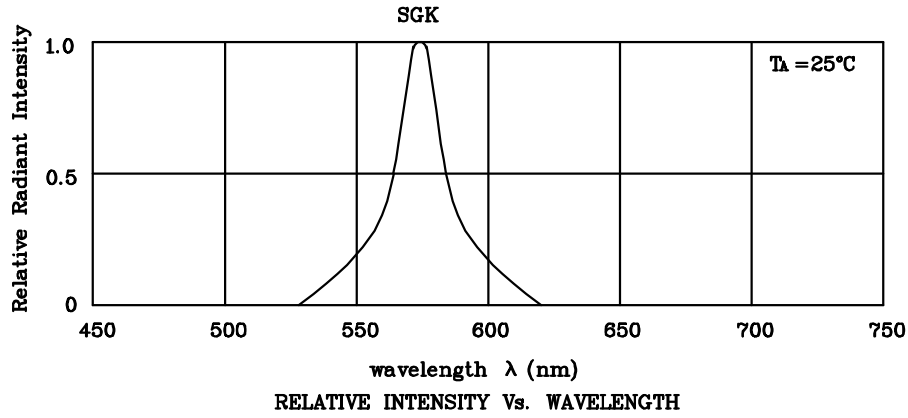
Notes:

1. All dimensions are in millimeters (inches).
2. Tolerance is $\pm 0.25(0.01)$ unless otherwise noted.

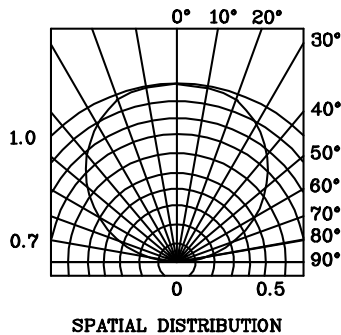
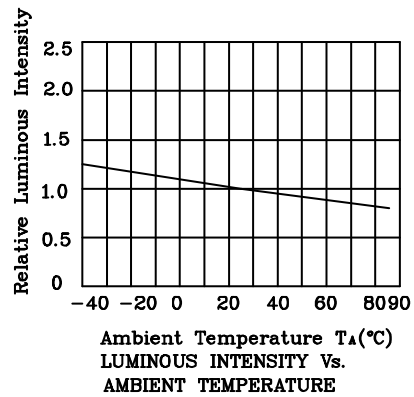
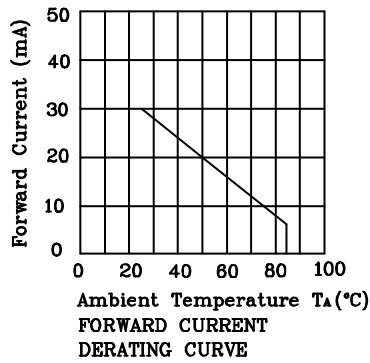
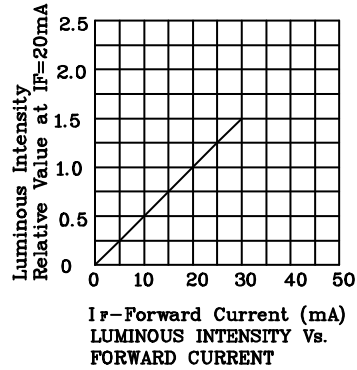
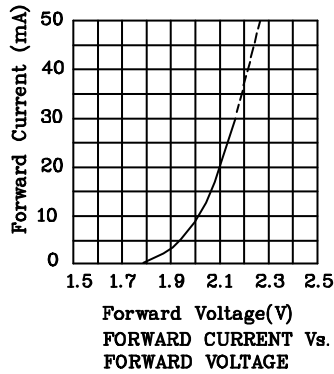
Absolute maximum ratings ($T_A=25^\circ\text{C}$)		SGK (InGaAlP)	Unit
Reverse voltage	V_R	5	V
Forward current	I_F	30	mA
Forward current (peak) 1/10Duty cycle 0.1ms pulse width	i_{FS}	150	mA
Power dissipation	P_T	105	mW
Operating temperature	T_A	-40 ~ +85	°C
Storage temperature	T_{stg}	-40 ~ +85	

Operating Characteristics ($T_A=25^\circ\text{C}$)		SGK (InGaAlP)	Unit
Forward voltage (typ.) ($I_F=20\text{mA}$)	V_F	2.1	V
Forward voltage (max.) ($I_F=20\text{mA}$)	V_F	2.5	V
Reverse current ($V_R=5\text{V}$)	I_R	10	μA
Wavelength at peak emission ($I_F=20\text{mA}$)	λ_{peak}	574	nm
Wavelength at Dominate emission ($I_F=20\text{mA}$)	λ_D	570	nm
Spectral Line half-width ($I_F=20\text{mA}$)	$\Delta\lambda$	20	nm
Capacitance ($V_F=0\text{V}$, $f=1\text{MHz}$)	C	15	pF

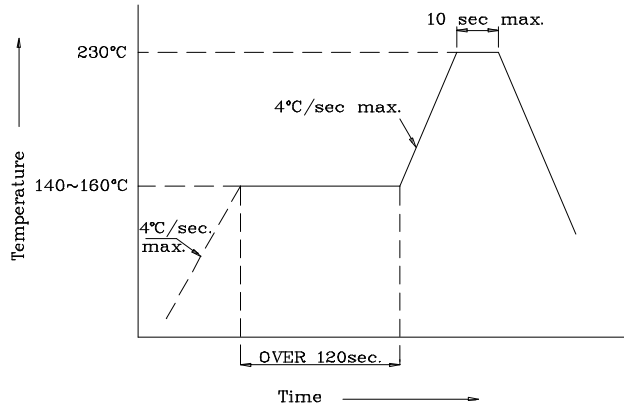
Part Number	Emitting Color	Emitting Material	Lens-color	Luminous Intensity ($I_F=20\text{mA}$) med		Wavelength nm λ_P	Viewing Angle 2θ 1/2
				min.	typ.		
XZSGK67W	Green	InGaAlP	Water Clear	50	89	574	120°
Published Date : JUL 30,2003		Drawing No :XDSA1650		V3	Checked : B.L.LIU		P1/3



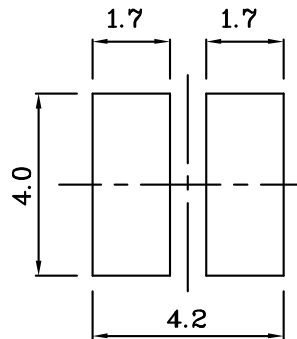
❖ SGK



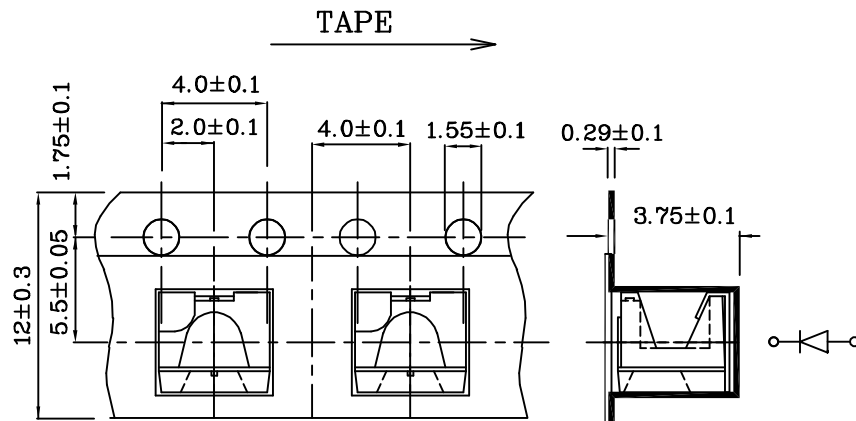
❖ SMT Reflow Soldering Instructions



❖ Recommended Soldering Pattern (Units : mm;Tolerance: ± 0.1)



❖ Tape Specification (Units : mm)



Features

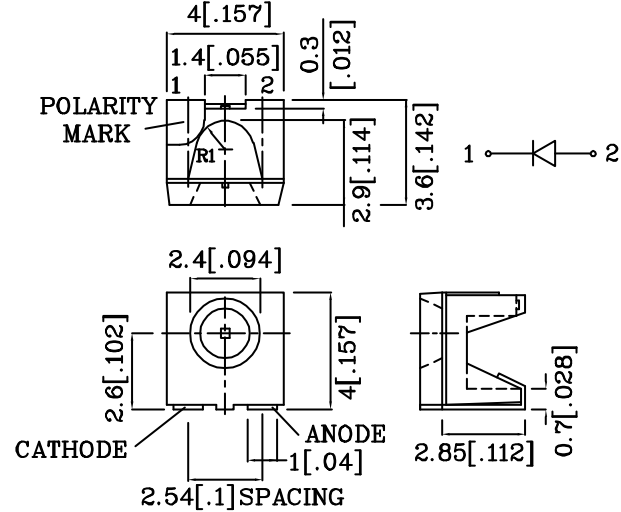
- SINGLE COLOR.
- SUITABLE FOR ALL SMT ASSEMBLY AND SOLDER PROCESS.
- AVAILABLE ON TAPE AND REEL.
- IDEAL FOR BACKLIGHTING.
- PACKAGE : 500PCS / REEL.



ATTENTION
OBSERVE PRECAUTIONS
FOR HANDLING
ELECTROSTATIC
DISCHARGE
SENSITIVE
DEVICES

Notes:

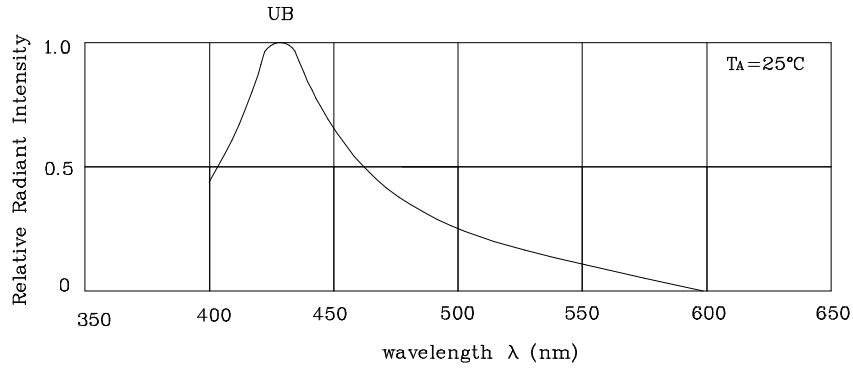
1. All dimensions are in millimeters (inches).
2. Tolerance is ± 0.25(0.01") unless otherwise noted.



Absolute maximum ratings (TA=25°C)		UB (GaN)	Unit
Reverse voltage	VR	5	V
Forward current	IF	30	mA
Forward current (peak) 1/10Duty cycle 0.1ms pulse width	iFS	150	mA
Power dissipation	PT	105	mW
Operating temperature	TA	-40 ~ +85	°C
Storage temperature	Tstg	-40 ~ +85	

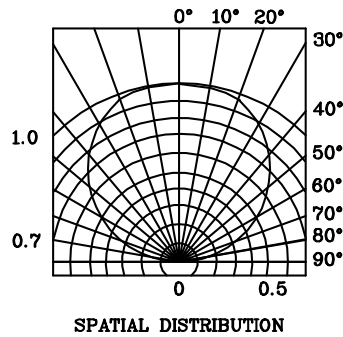
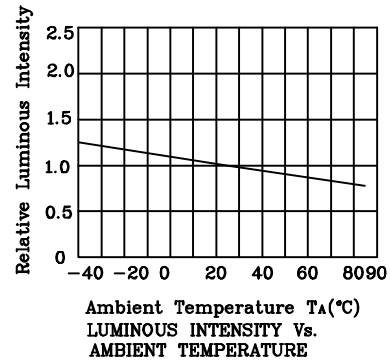
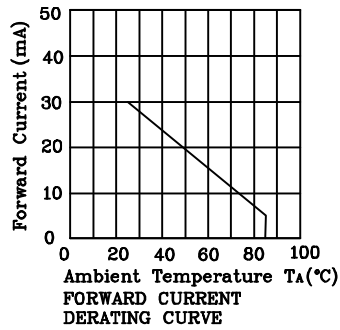
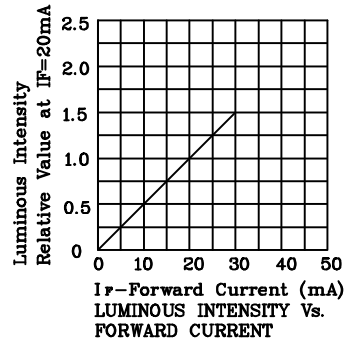
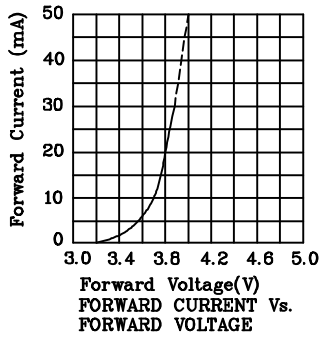
Operating Characteristics (TA=25°C)		UB (GaN)	Unit
Forward voltage (typ.) (IF=20mA)	VF	3.8	V
Forward voltage (max.) (IF=20mA)	VF	4.5	V
Reverse current (VR=5V)	IR	10	uA
Wavelength at peak emission (IF=20mA)	λ peak	430	nm
Wavelength at Dominate emission (IF=20mA)	λ D	466	nm
Spectral Line half-width (IF=20mA)	Δλ	60	nm
Capacitance (VF=0V, f=1MHz)	C	100	pF

Part Number	Emitting Color	Emitting Material	Lens-color	Luminous Intensity (IF=20mA) med		Wavelength nm λ P	Viewing Angle 2 θ 1/2
				min.	typ.		
XZUB67W	Blue	GaN	Water Clear	7	14	430	120°
Published Date : JUL 30,2003 Drawing No :XDSA1659 V3 Checked : B.L.LIU P1/3							

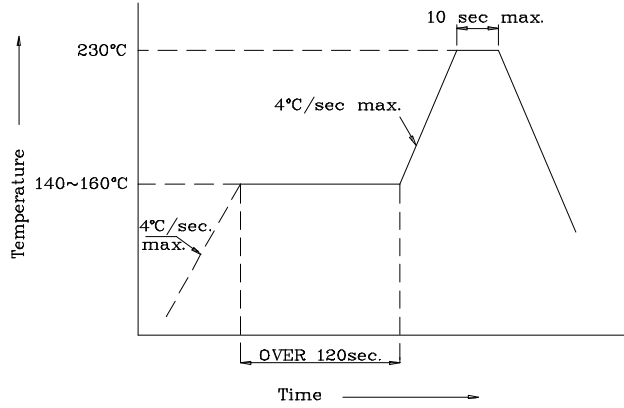


RELATIVE INTENSITY Vs. WAVELENGTH

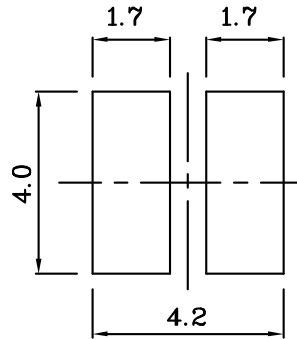
❖ UB



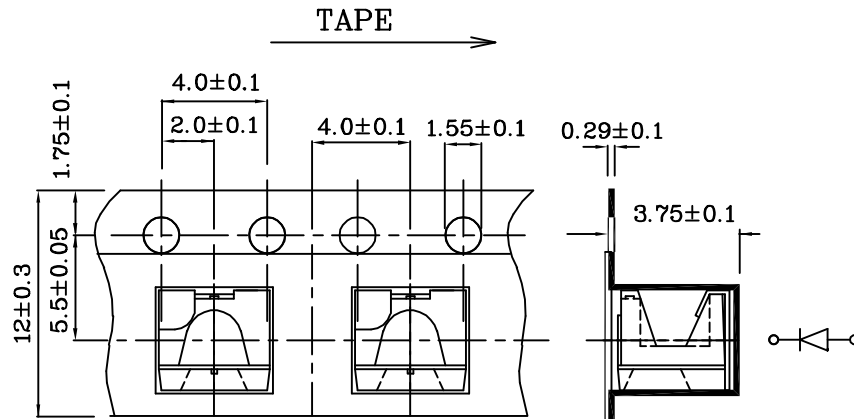
❖ SMT Reflow Soldering Instructions



❖ Recommended Soldering Pattern (Units : mm;Tolerance: ± 0.1)



❖ Tape Specification (Units : mm)



Features

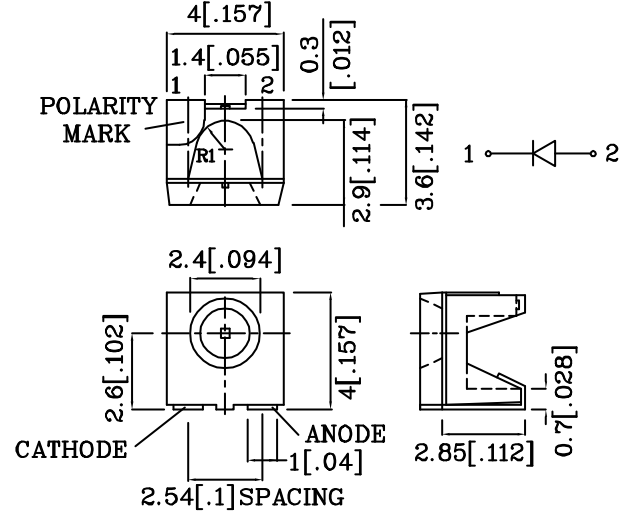
- SINGLE COLOR.
- SUITABLE FOR ALL SMT ASSEMBLY AND SOLDER PROCESS.
- AVAILABLE ON TAPE AND REEL.
- IDEAL FOR BACKLIGHTING.
- PACKAGE : 500PCS / REEL.



ATTENTION
 OBSERVE PRECAUTIONS
 FOR HANDLING
 ELECTROSTATIC
 DISCHARGE
 SENSITIVE
 DEVICES

Notes:

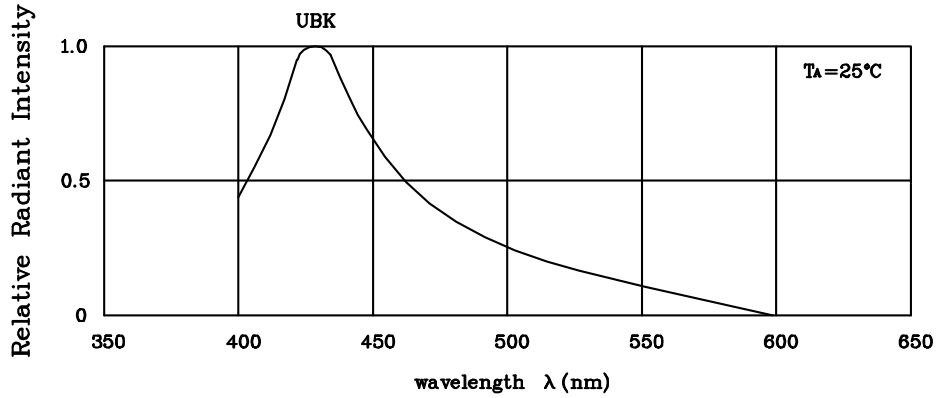
1. All dimensions are in millimeters (inches).
2. Tolerance is ± 0.25(0.01") unless otherwise noted.



Absolute maximum ratings (TA=25°C)		UBK (GaN)	Unit
Reverse voltage	VR	5	V
Forward current	IF	30	mA
Forward current (peak) 1/10Duty cycle 0.1ms pulse width	iFS	150	mA
Power dissipation	PT	105	mW
Operating temperature	TA	-40 ~ +85	°C
Storage temperature	Tstg	-40 ~ +85	

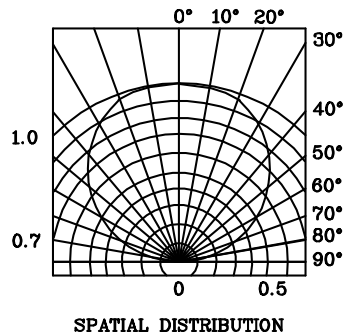
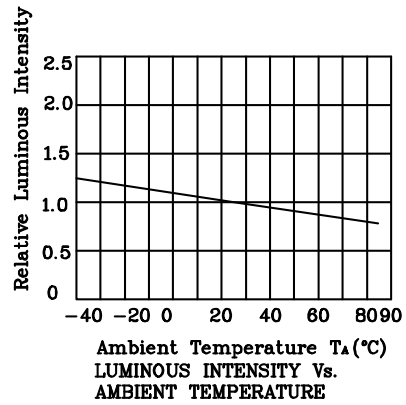
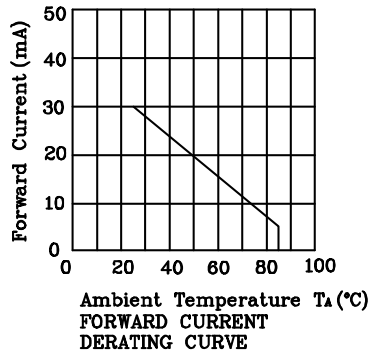
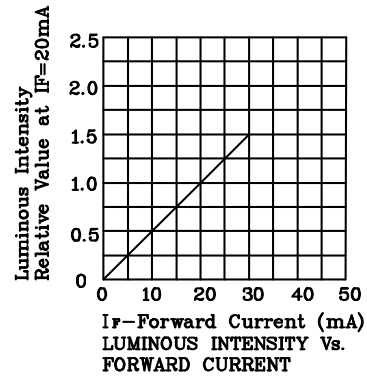
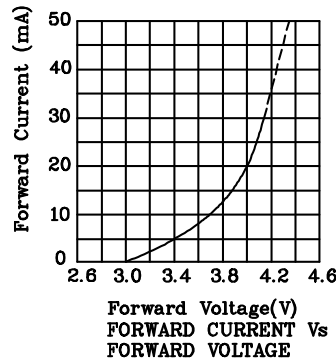
Operating Characteristics (TA=25°C)		UBK (GaN)	Unit
Forward voltage (typ.) (IF=20mA)	VF	4.0	V
Forward voltage (max.) (IF=20mA)	VF	5.2	V
Reverse current (VR=5V)	IR	10	uA
Wavelength at peak emission (IF=20mA)	λ peak	430	nm
Wavelength at Dominate emission (IF=20mA)	λ D	466	nm
Spectral Line half-width (IF=20mA)	Δλ	60	nm
Capacitance (VF=0V, f=1MHz)	C	100	pF

Part Number	Emitting Color	Emitting Material	Lens-color	Luminous Intensity (IF=20mA) med		Wavelength nm λ P	Viewing Angle 2 θ 1/2
				min.	typ.		
XZUBK67W	Blue	GaN	Water Clear	4	7.9	430	120°
Published Date : JUL 30,2003 Drawing No :XDSA1658 V3 Checked : B.L.LIU P1/3							

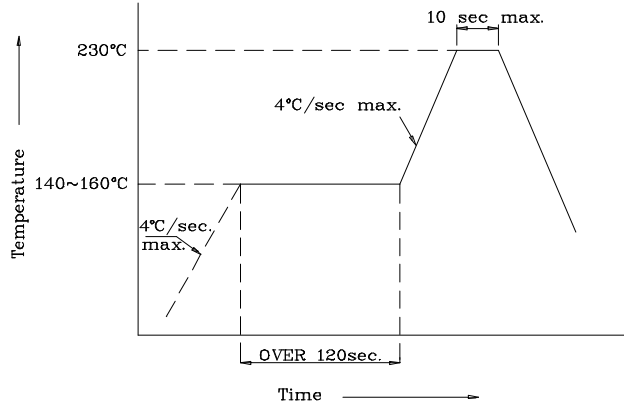


RELATIVE INTENSITY Vs. WAVELENGTH

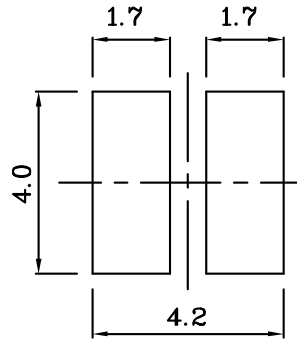
❖ UBK



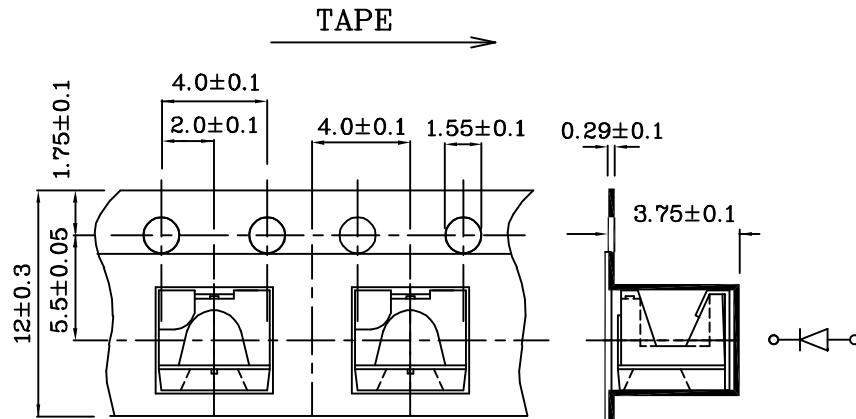
❖ SMT Reflow Soldering Instructions



❖ Recommended Soldering Pattern (Units : mm;Tolerance: ± 0.1)

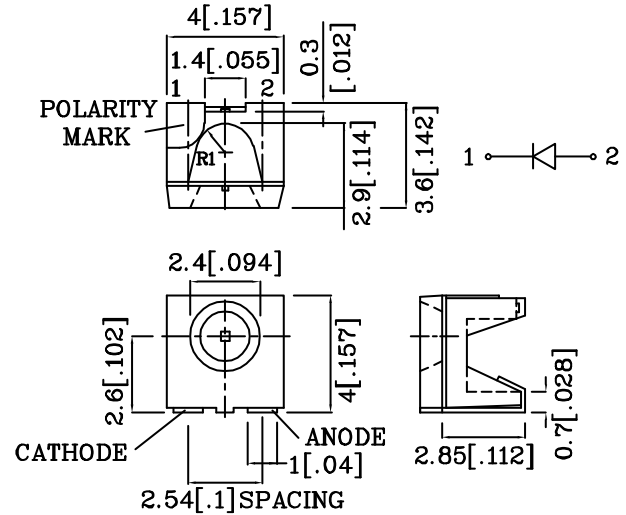


❖ Tape Specification (Units : mm)



Features

- SINGLE COLOR.
- SUITABLE FOR ALL SMT ASSEMBLY AND SOLDER PROCESS.
- AVAILABLE ON TAPE AND REEL.
- IDEAL FOR BACKLIGHTING.
- PACKAGE : 500PCS / REEL.



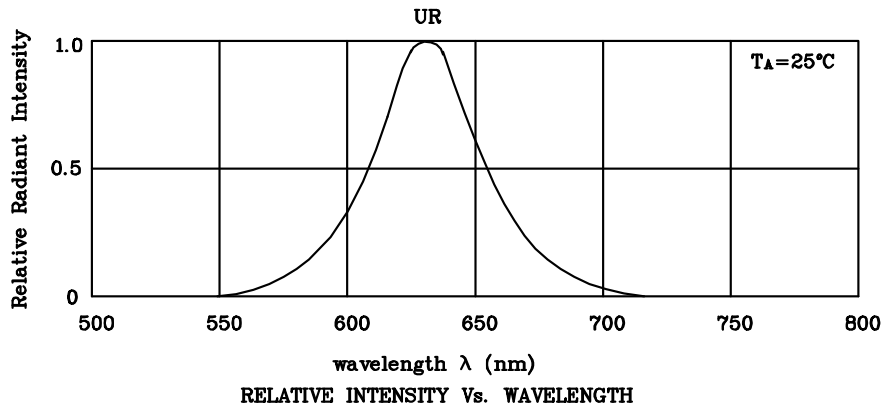
Notes:

1. All dimensions are in millimeters (inches).
2. Tolerance is $\pm 0.25(0.01)$ unless otherwise noted.

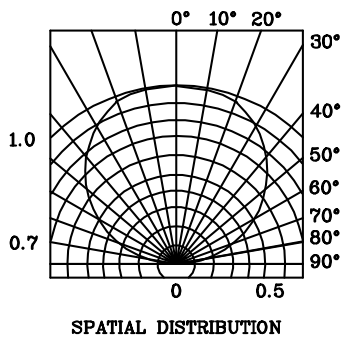
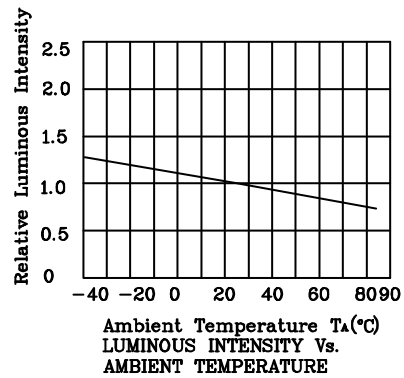
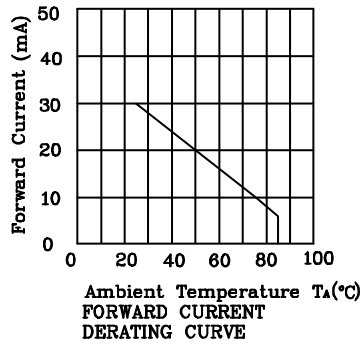
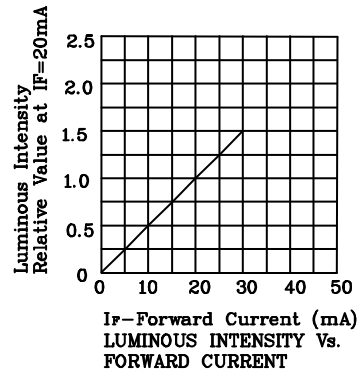
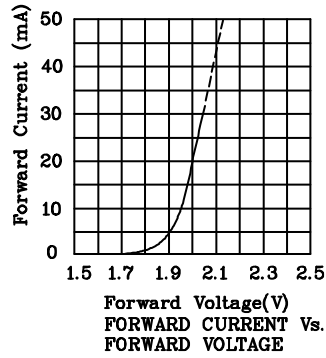
Absolute maximum ratings (TA=25°C)		UR (GaAsP/GaP)	Unit
Reverse voltage	VR	5	V
Forward current	IF	30	mA
Forward current (peak) 1/10Duty cycle 0.1ms pulse width	iFS	160	mA
Power dissipation	Pr	105	mW
Operating temperature	TA	-40 ~ +85	°C
Storage temperature	Tstg	-40 ~ +85	

Operating Characteristics (TA=25°C)		UR (GaAsP/GaP)	Unit
Forward voltage (typ.) (IF=20mA)	VF	2.0	V
Forward voltage (max.) (IF=20mA)	VF	2.5	V
Reverse current (VR=5V)	IR	10	uA
Wavelength at peak emission (IF=20mA)	λ peak	627	nm
Wavelength at Dominate emission (IF=20mA)	λ D	625	nm
Spectral Line half-width (IF=20mA)	$\Delta\lambda$	45	nm
Capacitance (VF=0V, f=1MHz)	C	15	pF

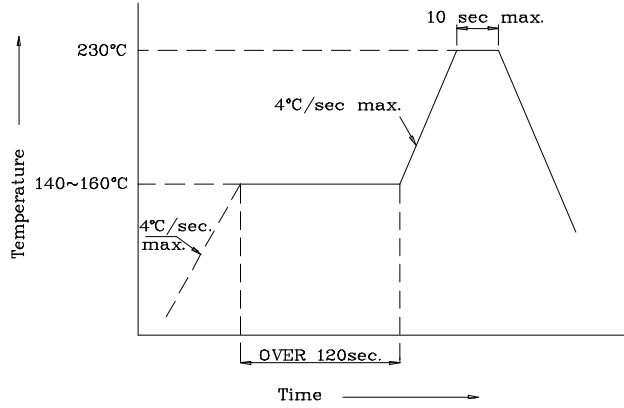
Part Number	Emitting Color	Emitting Material	Lens-color	Luminous Intensity (IF=20mA) med		Wavelength nm λ P	Viewing Angle 2θ 1/2
				min.	typ.		
XZUR67W	Red	GaAsP/GaP	Water Clear	10	24	627	120°
Published Date : JUL 28,2003							
Drawing No :XDSA1643							
V3							
Checked : B.L.LIU							
P1/3							



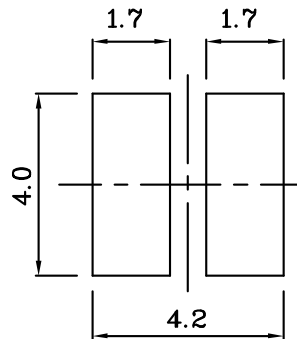
❖ UR



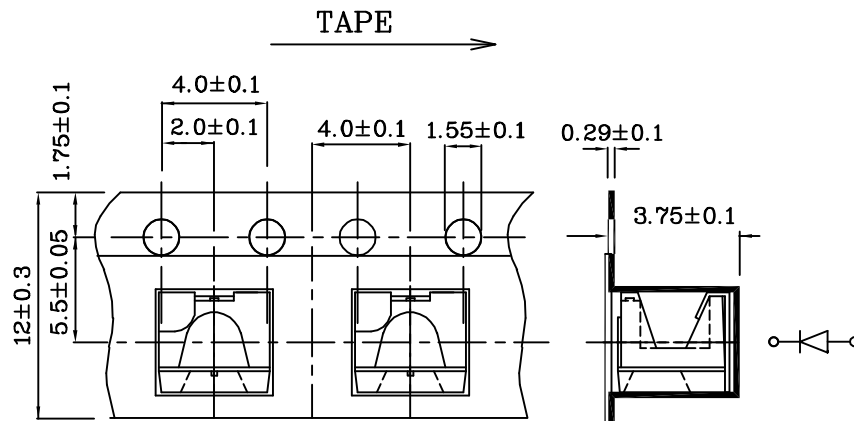
❖ SMT Reflow Soldering Instructions



❖ Recommended Soldering Pattern (Units : mm;Tolerance: ± 0.1)

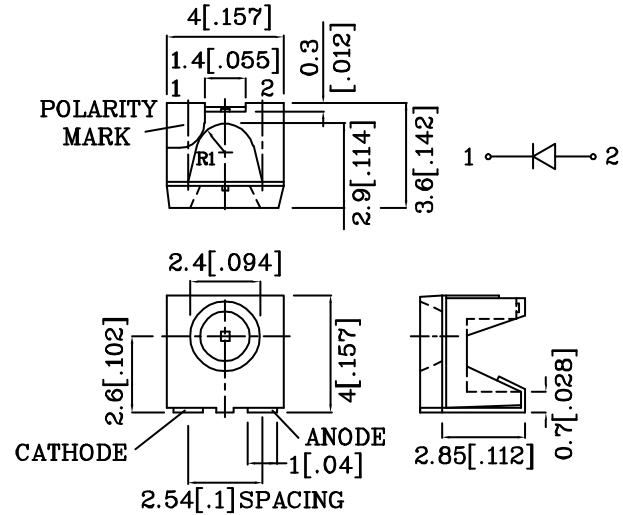


❖ Tape Specification (Units : mm)



Features

- SINGLE COLOR.
- SUITABLE FOR ALL SMT ASSEMBLY AND SOLDER PROCESS.
- AVAILABLE ON TAPE AND REEL.
- IDEAL FOR BACKLIGHTING.
- PACKAGE : 500PCS / REEL.



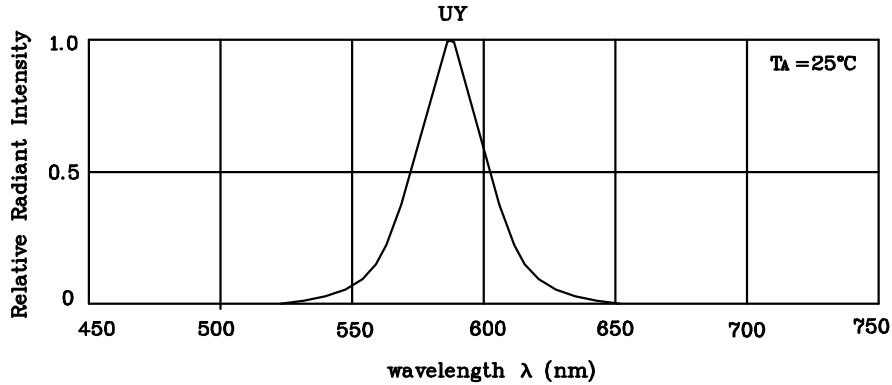
Notes:

1. All dimensions are in millimeters (inches).
2. Tolerance is $\pm 0.25(0.01)$ unless otherwise noted.

Absolute maximum ratings ($T_A=25^\circ\text{C}$)		UY (GaAsP/GaP)	Unit
Reverse voltage	V_R	5	V
Forward current	I_F	30	mA
Forward current (peak) 1/10Duty cycle 0.1ms pulse width	i_{FS}	140	mA
Power dissipation	P_r	105	mW
Operating temperature	T_A	-40 ~ +85	°C
Storage temperature	T_{stg}	-40 ~ +85	

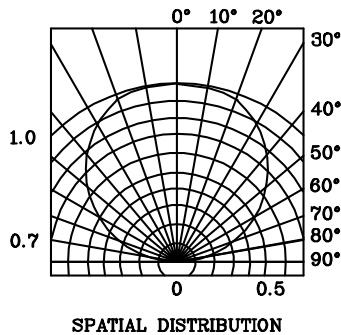
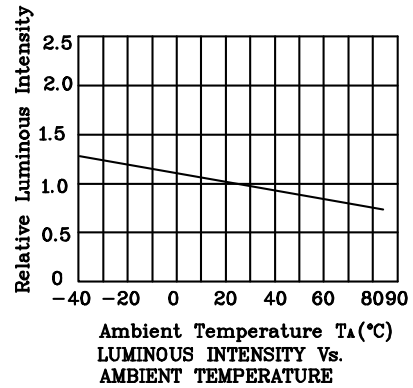
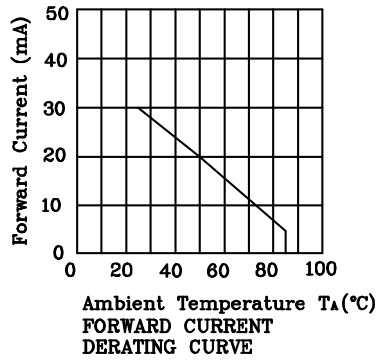
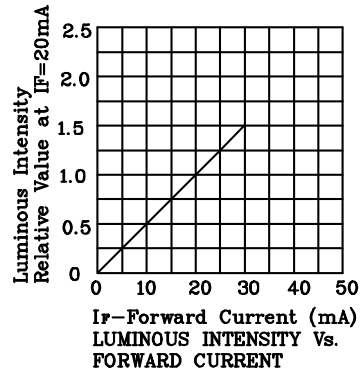
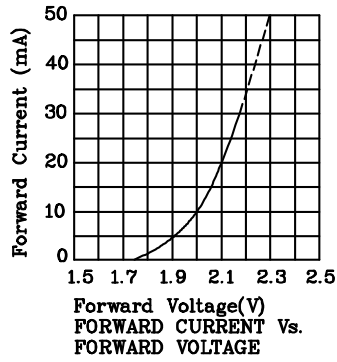
Operating Characteristics ($T_A=25^\circ\text{C}$)		UY (GaAsP/GaP)	Unit
Forward voltage (typ.) ($I_F=20\text{mA}$)	V_F	2.1	V
Forward voltage (max.) ($I_F=20\text{mA}$)	V_F	2.5	V
Reverse current ($V_R=5\text{V}$)	I_R	10	μA
Wavelength at peak emission ($I_F=20\text{mA}$)	λ_{peak}	590	nm
Wavelength at Dominate emission ($I_F=20\text{mA}$)	λ_D	588	nm
Spectral Line half-width ($I_F=20\text{mA}$)	$\Delta\lambda$	35	nm
Capacitance ($V_F=0\text{V}$, $f=1\text{MHz}$)	C	20	pF

Part Number	Emitting Color	Emitting Material	Lens-color	Luminous Intensity ($I_F=20\text{mA}$) med		Wavelength nm λ_P	Viewing Angle 2θ 1/2
				min.	typ.		
XZUY67W	Yellow	GaAsP/GaP	Water Clear	4	8	590	120°
Published Date : JUL 28,2003							
Drawing No :XDSA1655							
V3							
Checked : B.L.LIU							
P1/3							

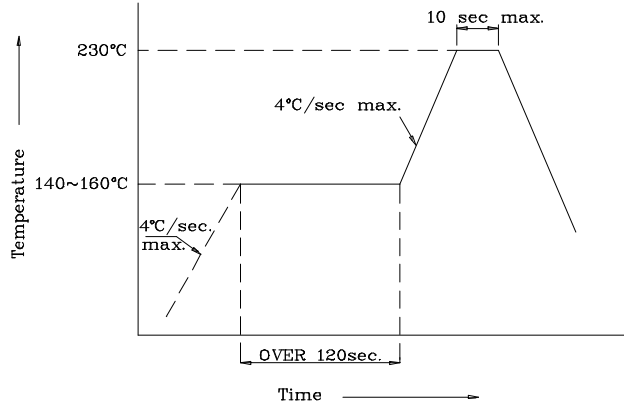


RELATIVE INTENSITY Vs. WAVELENGTH

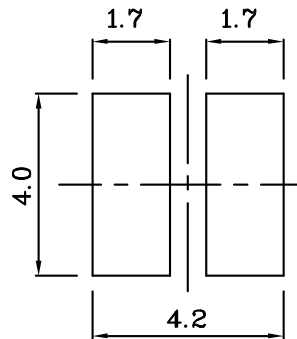
❖ UY



❖ SMT Reflow Soldering Instructions



❖ Recommended Soldering Pattern (Units : mm;Tolerance: ± 0.1)



❖ Tape Specification (Units : mm)

