

## MODEL 26

# True RMS Voltage Monitor

- User selectable relay operation options
- Low or High Trip with independent delays or disabled
- User programmable
- Can be restored to factory settings or calibrated using a True RMS Voltmeter in the field

### DESCRIPTION

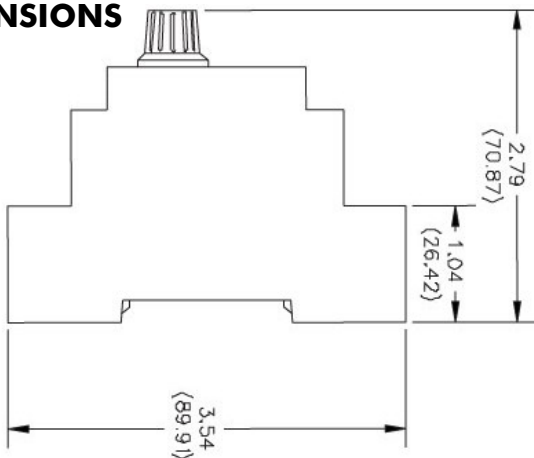
**Model 26 True RMS Voltage Monitor** has a display that shows the voltage with an accuracy of +/- 0.5%. The display is updated every second and re-initialized every 30 seconds.

Model 26 has a rotary encoder with switch on the unit. By pressing the encoder switch for more than 5 seconds, the unit will enter the setup mode.

This unit has a user selectable relay option for High-Low or DPDT. It can also be user-selected to energize on fault or de-energize on fault. The user can select automatic or manual restart on the Model 26.

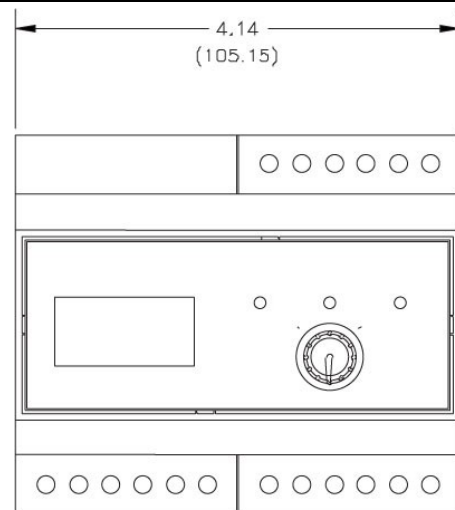
**Model 26 True RMS Voltage Monitor** can be either calibrated using a True RMS Voltmeter or can be restored to factory defaults in the field.

### DIMENSIONS



### SPECIFICATIONS

Model	26
Upper AC Voltage Range	550 Volts
Lower AC Voltage Range	80 Volts
DC Power	24 Volts 2 watts
Start-up Delay	5 secs. Min. or Automatic reset delay setting (to allow for solid lock)
Frequency	50/60Hz (400Hz optional with jumper)
Output Contacts	SPDT x 2 10 Amps @ 240VAC
Repeat Accuracy	± 0.5 % (fixed conditions)
Reset Type	Manual or Automatic
Expected Relay Life	Mech: 10 million operations Elec: 100,000 min. at rated load
Operating Temp	-20°F to +130°F
Humidity Tolerance	0-97% w/o condensation
Enclosure Material	Lexan 920 Polycarbonate UL 94 V-0 1.5 mm UL E45329
Mounting	Din Rail 35mm
Weight	8.5 oz.



Telephone: Main (918) 438-1220

Sales (800) 862-2875

Fax: (918) 437-7584

E-mail: sales@time-mark.com

Internet: http://www.time-mark.com



**TIME MARK**  
CORPORATION

11440 East Pine Street  
Tulsa, Oklahoma 74116

Page 1 of 3 11/2011  
© 2011 TIME MARK CORPORATION

TIME MARK is a division of  AEMT, Inc.

# MODEL 26

# True RMS Voltage Monitor

READ ALL INSTRUCTIONS BEFORE INSTALLING, OPERATING OR SERVICING THIS DEVICE.  
KEEP THIS DATA SHEET FOR FUTURE REFERENCE.

## GENERAL SAFETY

POTENTIALLY HAZARDOUS VOLTAGES ARE PRESENT AT THE TERMINALS OF THE MODEL 26.  
ALL ELECTRICAL POWER SHOULD BE REMOVED WHEN CONNECTING OR DISCONNECTING WIRING.  
THIS DEVICE SHOULD BE INSTALLED AND SERVICED BY QUALIFIED PERSONNEL.

## Installation Instructions

### INSTALLATION AND SETUP

#### Controls:

Rotary encoder with switch. Pressing the encoder switch will display the set points. Pressing the encoder switch for more than 5 seconds will enter the setup mode. Pressing switch displays the next menu item. Holding down the switch during setup mode will sequence through menus with 1 second intervals. Rotating the knob clockwise increases the value and counter-clockwise will decrease value.

For non-value options, rotating the knob either way will change the options on the display.

#### Setup Options:

(Press encoder for at least 5 seconds to enter setup)

**High Voltage:** (Factory—Enabled, Set point = 550V, Delay = 5S)

#### Enable/Disable:

(\*If disabled set point and delay are skipped)

#### Set Point Range:

Low setpoint + 1 to 550V in 0.5V steps

#### High Trip Delay:

0 to 20.0 seconds in 0.1Sec steps

**Low Voltage:** (Factory—Enabled, Set point = 80V, Delay = 5S)

#### Enable/Disable:

(\*If disabled set point and delay are skipped)

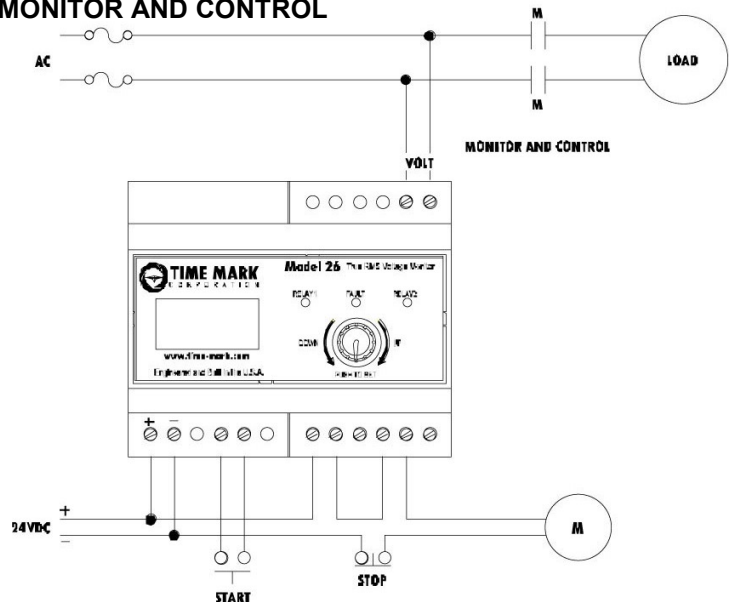
#### Set Point Range:

80 to High Setpoint -1 in 0.5V steps

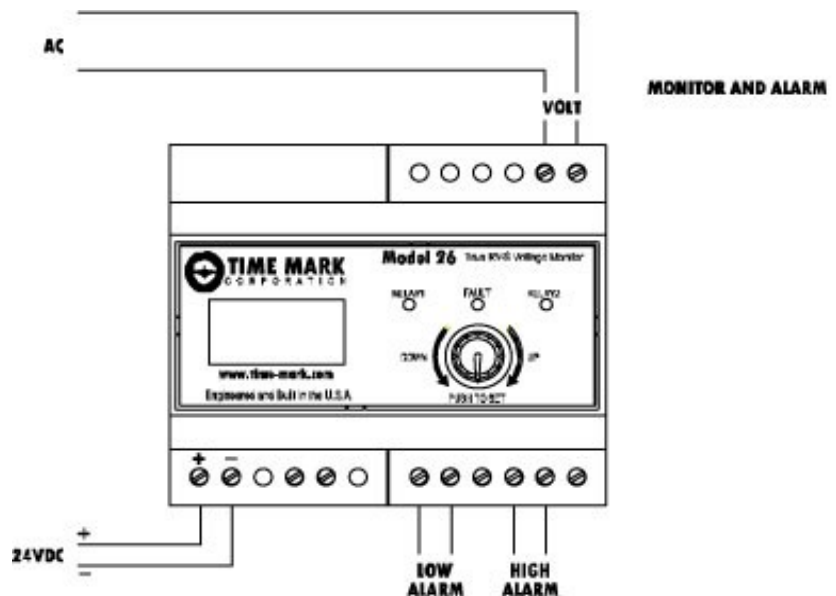
#### Low Trip Delay:

0 to 20.0 seconds in 0.1Sec steps

### TYPICAL APPLICATION—DRAWING 1 MONITOR AND CONTROL



### TYPICAL APPLICATION—DRAWING 2 MONITOR AND ALARMS



Telephone: Main (918) 438-1220

Sales (800) 862-2875

Fax: (918) 437-7584

E-mail: sales@time-mark.com

Internet: http://www.time-mark.com



**TIME MARK**  
CORPORATION

11440 East Pine Street  
Tulsa, Oklahoma 74116

Page 2 of 3 11/2011  
© 2011 TIME MARK CORPORATION

TIME MARK is a division of  AEMT, Inc.

READ ALL INSTRUCTIONS BEFORE INSTALLING, OPERATING OR SERVICING THIS DEVICE.  
KEEP THIS DATA SHEET FOR FUTURE REFERENCE.

### GENERAL SAFETY

POTENTIALLY HAZARDOUS VOLTAGES ARE PRESENT AT THE TERMINALS OF THE MODEL 26.  
ALL ELECTRICAL POWER SHOULD BE REMOVED WHEN CONNECTING OR DISCONNECTING WIRING.  
THIS DEVICE SHOULD BE INSTALLED AND SERVICED BY QUALIFIED PERSONNEL.

## Installation Instructions

### **INSTALLATION AND SETUP (Continued)**

#### Relay Operation: (Factory = HI-LO)

Voltage High/Low Option:  
Separate High/Low Relays  
DPDT

Other faults DPDT

#### Relay Operation on Fault: (Factory - De-energize on fault)

De-energize on fault  
Energize on fault  
Hysteresis set

#### Restart: (Factory - Automatic)

Automatic or Manual (in Manual rotating the knob or closing an external switch will reset the unit)

#### Automatic Restart Delay Range: (Factory - 5S)

0 to 300.0 Seconds in 0.1Sec steps

#### Exit from Setup Options:

Repeat Setup:  
Press encoder to begin setup from beginning. (High Enable)

Exit & No Save:  
Press encoder to exit setup. Any changes have been discarded.

Exit & Save:  
Press encoder to exit setup and save changes. Unit will begin using new settings.

### **INSTALLATION AND SETUP (Continued)**

#### Start Up Delay:

5 Seconds Minimum or Automatic Restart Delay setting (to allow for solid lock).

### **UNIT FIELD RESTORE FACTORY SETTINGS AND RECALIBRATION**

- 1) From a powered down condition. Apply the AC voltage first.
- 2) Press and hold the Encoder switch while applying the DC power to the unit. As soon as the splash screen appears release the button. The display will show "No Rest Fac". Rotate encoder to change option to "Yes" to restore factory settings. Press the Encoder switch.
- 3) The display will show the voltage. Place a meter between the AC input terminals. Rotate encoder to change the reading on the display to be what is on the meter. When readings within +/- 0.5V press the Encoder switch.
- 4) The unit will return to normal operation.

### **WARRANTY**

This product is warranted to be free from defects in materials and workmanship for one year. Should this device fail to operate, we will repair it for one year from the date of manufacture. For complete warranty details, see the *Terms and Conditions of Sales* page in the front section of the Time Mark catalog or contact Time Mark at 1-800-862-2875.

Telephone: Main (918) 438-1220

Sales (800) 862-2875

Fax: (918) 437-7584

E-mail: sales@time-mark.com

Internet: http://www.time-mark.com



**TIME MARK**  
CORPORATION

11440 East Pine Street  
Tulsa, Oklahoma 74116

Page 3 of 3 11/2011

© 2011 TIME MARK CORPORATION

TIME MARK is a division of  AEMT, Inc.

