

# Model 273 SINGLE-PHASE CURRENT MONITOR

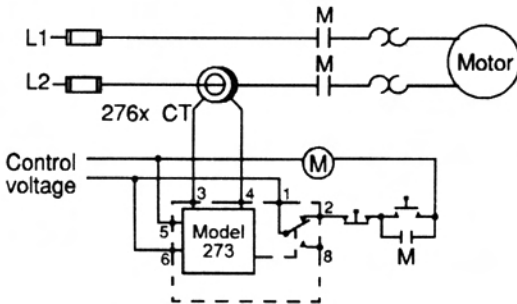
- Over or Under Current Sensing
- Adjustable Trip Point
- 2 Adjustable Amp Range Options
- 5-Year Factory Warranty



## SPECIFICATIONS

Current Range	0.5 to 5 amps or 2 to 10 amps
Supply Voltage	24 VAC or 120 VAC
Power Consumption	1 watt max.
VA Burden	Less than 0.5 VA
Frequency Range	50-400 Hz
Repeat Accuracy	1% max.
Dead Band	4% max.
Reset	Automatic
Output Contacts	SPDT 10A at 240 VAC
Expected Relay Life	Mech: 10 million operations Elec: 100,000 at rated load
Operating Temp	-40° to +131° F
Humidity Tolerance	0 - 97% w/o condensation
Enclosure Material	ABS plastic
Mounting	8-pin socket (order separately)
Weight	6.4 oz.
Agency Approvals	273-5-xx models are UL Recognized and CSA Certified

## TYPICAL APPLICATION



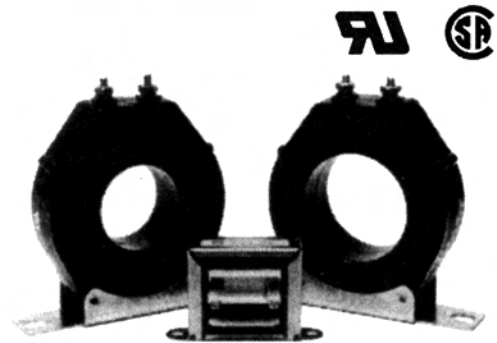
# Models 276 Series CURRENT TRANSFORMERS

## SPECIFICATIONS

Ratio	Part No.	Ratio	Part No.	Burden	Ratio	Part No.	Burden
		50:5	276B-50	1.0	300:5	276B-300	12.5
10:5	276A-10	60:5	276B-60	1.0	400:5	276B-400	12.5
15:5	276A-15	75:5	276B-75	1.5	500:5	276B-500	25.0
20:5	276A-20	80:5	276B-80	1.5	600:5	276B-600	15.0
25:5	276A-25	100:5	276B-100	2.0	750:5	276B-750	7.0
30:5	276A-30	150:5	276B-150	5.0	800:5	276B-800	8.0
35:5	276A-35	200:5	276B-200	5.0	1000:5	276B-1000	10.0
40:5	276A-40	250:5	276B-250	12.5	1200:5	276B-1200	12.5

Burden VA @ 60 Hz

- 25 to 400 Hz
- 0 to 5 Amp Secondary
- Wide Application Range
- Agency Approved



276A DIMENSIONS 276B

