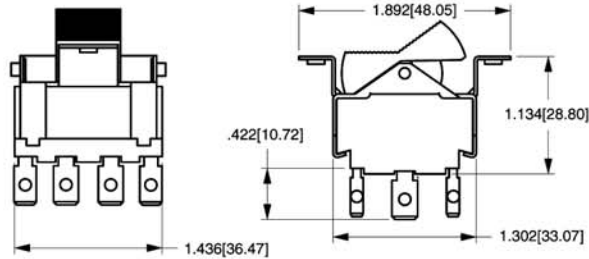


## Special Circuits for Tippette Rocker Switches

CIRCUIT	POSITION 1	POSITION 2	POSITION 3
<b>PROGRESSIVE TWO CIRCUIT</b>			
<b>GG</b>	BOTH CIRCUITS ON	ONE CIRCUIT ON	OFF
<b>GG</b>	BOTH CIRCUITS (ON)	ONE CIRCUIT ON	OFF
<b>SINGLE POLE TRIPLE THROW</b>			
<b>GE</b>	ON	ON	ON
<b>TWO CIRCUIT</b>			
<b>GH</b>	CIRCUIT 1 ON	BOTH CIRCUITS ON	CIRCUIT 2 ON
<b>GP</b>	CIRCUIT 2 ON	CIRCUIT 1 ON	OFF
<b>REVERSING DOUBLE POLE DOUBLE THROW</b>			
<b>GO</b>	ON	OFF	ON
<b>GX</b>	ON	NONE	ON

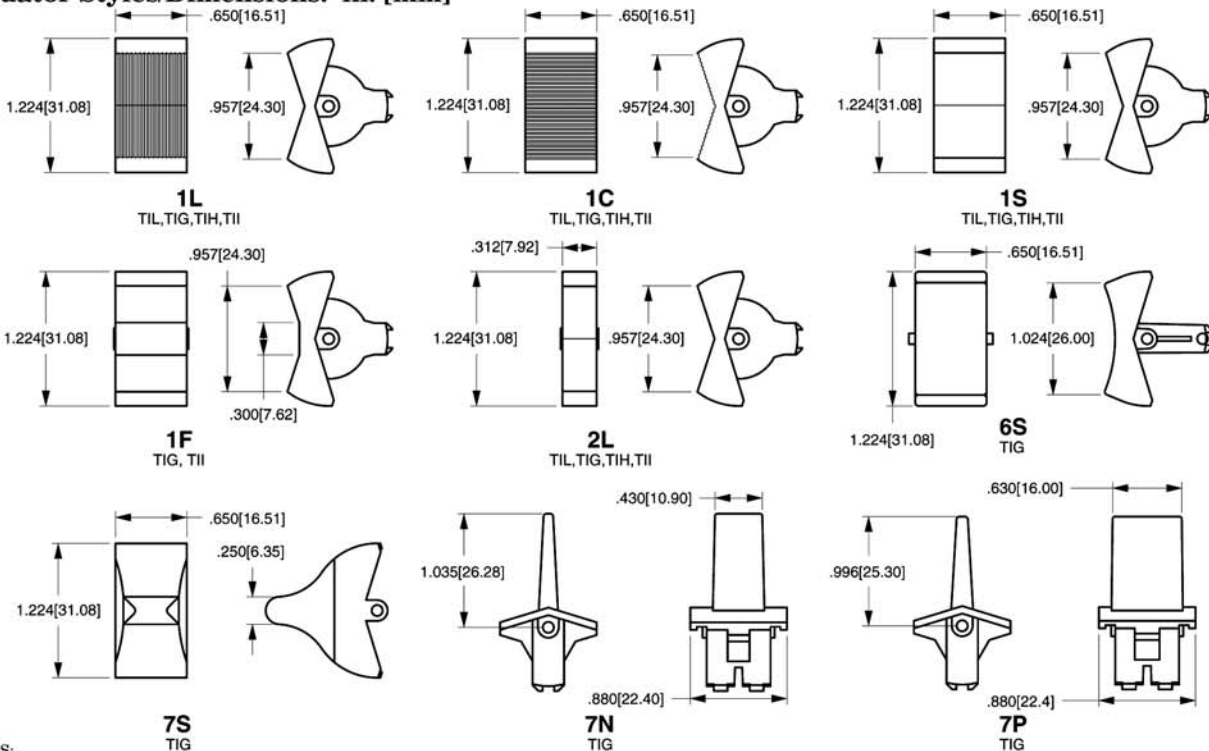
## Rocker Switches



TII

SOLDER LUG	.250 TAB (Q.C.)	.187 TAB (Q.C.)
<b>TERMINAL TYPE</b>		
SCREW (ASSEMBLED)	WIRE LEAD	PRINTED CIRCUIT

## Actuator Styles/Dimensions: in. [mm]



NOTES:  
Additional momentary circuits are available. Consult factory for d