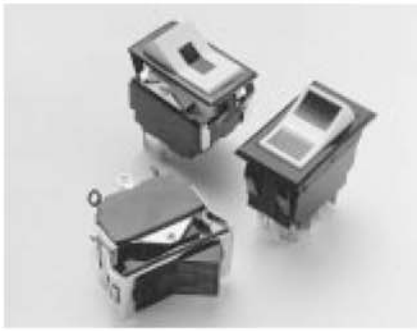


LTIG-Series

Rocker Switches



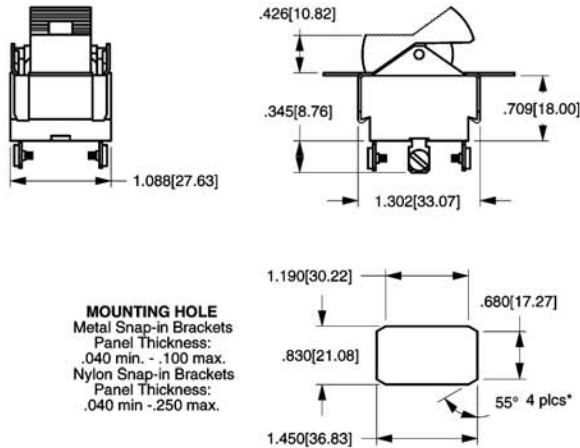
The LTIG-Series Tippette rocker switches are lighted, double pole and AC rated up to 26 amps. A variety of circuits, colors, terminations and lamp voltages are available.

Specifications

- Certifications*: UL, CSA
- Dielectric Strength: 1,000V (minimum)
- Insulation Resistance: 100 Megohms (minimum)
- Base Material: Phenolic
- Actuator Material: Nylon
- Bezel Material: Nylon or Steel

* Due to ongoing technological advances, consult factory for certification specifics.

Dimensional Specifications: in. [mm]



MOUNTING HOLE
Metal Snap-in Brackets
Panel Thickness:
.040 min. - .100 max.
Nylon Snap-in Brackets
Panel Thickness:
.040 min - .250 max.

* Angled corners are suggested for optimum fit.
Standard rectangular cutout is acceptable.

 .125[3.18] DIA .330[8.38] .187[4.74]	 .075[1.91] DIA .437[11.09] .250[6.35]	 .055[1.40] DIA .394[10.00] .187[4.74]
SOLDER LUG	.250 TAB (Q.C.)	.187 TAB (Q.C.)
TERMINAL TYPE		
 #6-32NC-2 THREAD .370[9.39] .286[7.26] .141[3.58]	 6.000[152.40] .500[12.70]	 .187[4.75] .187[4.75] .350[8.89]
SCREW (ASSEMBLED)	WIRE LEAD	PRINTED CIRCUIT

LTIG K 5 1 - 6S - BL - RC - NBL / 125N

SERIES	RATING ²	ACTUATOR STYLE ³	ACTUATOR COLOR ⁴	BRACKET STYLE ⁶
LTIG DOUBLE POLE LIGHTED	5 10A 250VAC 15A 125VAC 3/4HP 250VAC 6 3A 250VAC 6A 125VAC 1/4HP 125-250VAC	1C CROSS SERRATED 1L LONG LINED 1S SMOOTH ANGLED 6M⁷ MATTE CURVED (M, N OR W BRACKETS ONLY) 6S SMOOTH CURVED (M, N & W BRACKETS ONLY)	BL BLACK WH WHITE AM AMBER CL CLEAR GN GREEN LU BLUE RC RED WH WHITE	A C FN NARROW FW WIDE MBL MARINE NBL WBL WATERSHEDDING

CIRCUIT¹

K ON-NONE-OFF
L ON-NONE-ON
M ON-OFF-ON

NOTES:
Shading indicates standard configurations.
Panel Cut-Out Recommendations: For sheet metal panels, switch must enter panel in same direction as the punch. (Burr on bottom.) Test cut hole in actual material.

- Lighted circuits L and M have two lamps.
- Additional non-inductive ratings to 26 amps available. Consult factory.
- Imprinting available on smooth face rockers. Other actuator styles available. Consult factory.
- Glossy finish is standard. Custom colors are available. Consult factory.
- Green & blue not recommended w/ 125 volt or 250 volt neon lamp. For two different color lenses, please specify when ordering lens color. (ex.) RC/GN
- Barbs are available on FN style bracket to accommodate panel thickness of .062, .100, .125, .156 and .250. Specify after bracket selection. (ex.) FN/.125
MBL, NBL & WBL brackets are molded in black. If white is desired, specify as MWH, NWH & WWH. FN and FW brackets have a nickel-plated finish. Additional finishes are available; specify as follows: stainless steel: FN/SS; chrome: FN/CHP; black oxide: FW/BLK. FW bracket not available in stainless steel. Bracket style MBL consists of LNP rocker, neoprene seal, syntech grease, dummy rivets.
MBL, NBL and WBL brackets supplied in two pole base. All other brackets supplied in three pole base.
MBL does not have UL & CSA approvals.
- Actuator & Bracket Finish is a matched set.

TERMINATION/FUNCTION

FUNCTION	SOLDER LUG	.250 TAB (QC)	.187 TAB (QC)	SCREW TERM.	WIRE LEAD	PC TERM.	LAMP VOLTAGE
ON-NONE-OFF (ON)-NONE-OFF	0	1	3	4	5	6	6V 6 VOLT/ INCANDESCENT
ON-NONE-(OFF)	A	B	D	E	F	G	12V 12 VOLT/ INCANDESCENT
ON-NONE-ON	0	1	3	4	5	U	18V 18 VOLT/ INCANDESCENT
ON-NONE-(ON)	A	B	D	E	F	G	24V 24 VOLT/ INCANDESCENT
ON-OFF-ON	0	1	3	4	5	6	28V 28 VOLT/ INCANDESCENT
ON-OFF-(ON)	A	B	D	E	F	G	125N 125 VOLT/ NEON
			R	S	T	U	250N 250 VOLT/ NEON