

## F-Series

## Toggle Switches



The F-Series toggle switches are AC rated up to 20 amps, single pole, with a slow-make, slow-break contact mechanism. These switches are available in a wide range of ratings, circuits, terminations and bushing/toggle configurations.

### Specifications

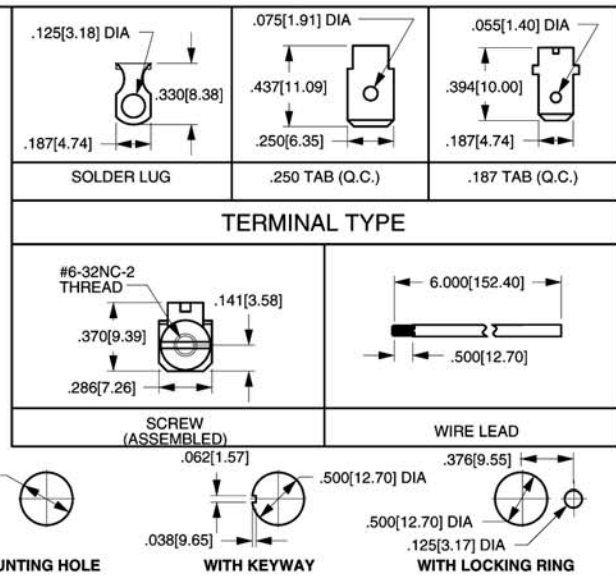
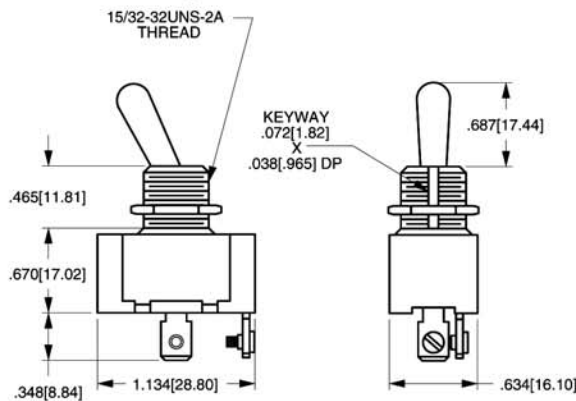
- Certifications\*: UL, CSA
- Dielectric Strength: 1,000V (minimum)
- Insulation Resistance: 100 Megohms (minimum)
- Base Material: Phenolic
- Actuator Material: Brass/Nickel Plate
- Bushing Material: Brass/Nickel Plate

\* Due to ongoing technological advances, consult factory for certification specifics.

# 2

# S W I T C H E S & K N O B S

### Dimensional Specifications: in. [mm]



SERIES	RATING <sup>1</sup>	TERMINATION/FUNCTION <sup>2</sup>	TOGGLE STYLE
<b>2F</b>	<b>A</b>	<b>5</b>	<b>3 - 73 / TABS</b>
<b>2F</b> SINGLE POLE	<b>5</b> 10A 250VAC	<b>3</b> SOLDER LUG	<b>.250TAB</b> (QC)
<b>6F</b> SINGLE POLE MOMENTARY	15A 125VAC	<b>3</b> (ON)-NONE-OFF	<b>3/TABS</b>
	3/4HP 120-240VAC	<b>3</b> (ON)-NONE-OFF	<b>3/TABS</b>
	<b>6</b> 3A 250VAC	<b>7</b> ON-NONE-(OFF)	<b>7/TABS</b>
	6A 125VAC	<b>3</b> ON-NONE-(ON)	<b>3/TABS</b>
	1/4HP 120-240VAC	<b>3</b> ON-NONE-(ON)	<b>3/TABS</b>
		<b>3</b> ON-OFF-ON	<b>3/TABS</b>
		<b>3</b> (ON)-OFF-(ON)	<b>3/TABS</b>
		<b>7</b> ON-OFF-(ON)	<b>7/TABS</b>
<b>CIRCUIT</b>			<b>SCREW TERM.</b>
<b>A</b> ON-NONE-OFF			<b>4</b>
<b>B</b> ON-NONE-ON			<b>4</b>
<b>C</b> ON-OFF-ON			<b>8</b>
			<b>WIRE LEAD</b>
			<b>1</b>
			<b>1</b>
			<b>6</b>
			<b>1</b>
			<b>1</b>
			<b>1</b>
			<b>6</b>

NOTES:  
 Shading indicates standard configurations.  
 For bushing accessories, see pages 69 and 70.  
 1 Additional ratings to 20A available. Consult factory.  
 2 For .187TAB (QC) type terminal use solder lug function selection codes. Add the suffix / .187TABS. (ex.) 2FA53-73/.187TABS

	TOGGLE LENGTH	BUSHING LENGTH	SUFFIX NO.	NEOPRENE SEAL
BAT	.406	.343	<b>52</b>	<b>57</b>
	.562	.465	<b>63</b>	<b>68</b>
	<b>.687</b>	<b>.465</b>	<b>73</b>	<b>78</b>
	1.00	.343	<b>A2</b>	<b>A7</b>
	2.00	.465	<b>E3</b>	<b>E8</b>
BALL	.500	.343	<b>22</b>	---