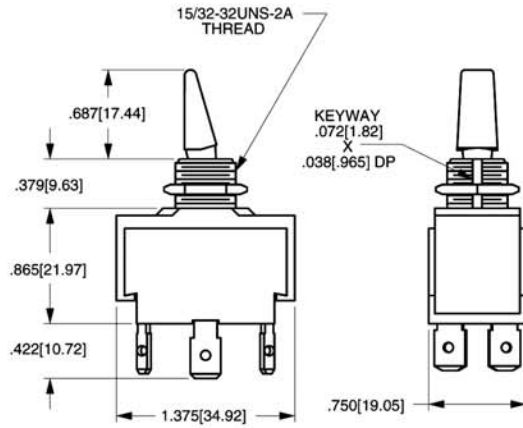


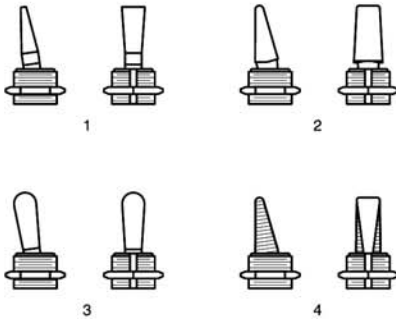
Nylon Toggle



S.P. OR D.P. NYLON

Toggle Switches

FOR NYLON TOGGLES
AFTER TERMINATION SELECTION, ADD SUFFIXES:
(ex.) 2GK51-D-4B-B



D
NYLON
TOGGLE

4
TOGGLE
STYLE
(SEE DRAWING
AT LEFT)

B
ACTUATOR
COLOR

B
BUSHING
COLOR

B BLACK
W WHITE

B BLACK
W WHITE

1
2
3
4 (WITH
NEOPRENE
SEAL)

Additional Circuits¹

CIRCUIT	POSITION 1	POSITION 2	POSITION 3
PROGRESSIVE TWO CIRCUIT			
2GH	CIRCUIT 1 ON	2 CIRCUITS ON	CIRCUIT 2 ON
2GP	CIRCUIT 2 ON	CIRCUIT 1 ON	OFF
2GG	2 CIRCUITS ON	CIRCUIT 1 ON	OFF
6GG MOMENTARY	2 CIRCUITS (ON)	CIRCUIT 1 ON	OFF
SINGLE POLE TRIPLE THROW			
2GE	ON	ON	ON
REVERSING DOUBLE POLE DOUBLE THROW*			
2GX	ON	NONE	ON
2GO	ON	OFF	ON
6GO MOMENTARY	(ON)	OFF	(ON)

*WITH REVERSING DOUBLE POLE DOUBLE THROW CIRCUITS, USE TERMINATION/
FUNCTION FROM FOLLOWING OPTIONS:

	SOLDER	.250 TAB	SCREW	WIRE
	LUG	(Q.C)	TERM.	LEAD
	3	3/TABS	4	1
	3	3/TABS	4	1
	3	3/TABS	4	1

NOTES:

Shading indicates standard configurations.

¹ Additional momentary circuits are available. Consult factory for details.