

Limit Switches Compact

LS/200LS Series

2

S W I T C H E S & K N O B S



Compact



Plug in


GENERAL INFORMATION

Compact LS and plug-in 200LS limit switches have a long record of successful performance in industrial applications. The LS fits in many places too small for any other fully adjustable limit switch. 200LS switches are the original plug-in concept for reducing downtime by making changeover simple and fast. Rotary motion roller lever and rod actuators are adjustable through 360°. They may be set for operation clockwise, counter-clockwise, or in both directions. Operating heads may be positioned in any of four 90° positions.

FEATURES

- Mode of operation is field adjustable.
- Meets NEMA 1, 3, 4, 6, and 13.
- Wide choice of heads and actuators.
- Variety of operating characteristics.
- Optional indicator light.
- Captive screws.
- UL listings available.
- International versions available.

ELECTRICAL RATINGS

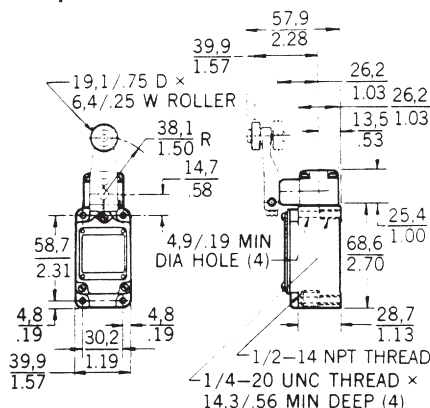
Circuitry	Electrical Rating
 <p>Two-Circuit Double-break</p>	A 10 amps, 120, 240 or 480 VAC; 1/3 hp, 120 VAC; 3/4 hp, 240 VAC; 0.8 amp, 115 VDC**; 0.4 amp, 230 VDC**; 0.1 amp, 550 VDC**; Pilot Duty, 600 VAC max.
	B 10 amps, 120, 240 or 480 VAC; 1/4 hp, 120 VAC; 1/2 hp, 240 VAC. Pilot Duty, 600 VAC max.
	D 10 amps, 120, 240 or 480 VAC; 1/4 hp, 120 VAC; 1/2 hp, 240 VAC; 0.8 amp, 115 VDC**; 0.4 amp, 230 VDC**; 0.1 amp, 550 VDC**; Pilot Duty, 600 VAC max.
	F UL Listed; 10 amps, 125, 250 or 480 VAC; 1/3 hp, 125 VAC; 3/4 hp, 250 VAC; 0.8 amp, 125 VDC**; 0.4 amp, 250 VDC**

** Resistive Rating

TYPICAL DIMENSIONS

(For reference only)

Compact 1LS1



ROLLER LEVER ROTARY ACTUATED SWITCHES ORDER GUIDE

Momentary action. Steel rollers. Levers included.

Description	Electrical Rating	Catalog Listing		O.F. max.	P.T. max.	O.T. min.	D.T. max.
		Compact	Plug-in				
Standard 20° Pretravel	A	1LS1	201LS1*	13.3 N 3 lb.	20°	30°	12°
	F UL Listing	1LS1-L	—	13.3 N 3 lb.	20°	30°	12°
Low Pretravel 5°	B	1LS19	201LS19*	13.3 N 3 lb.	5°	30°	4°

* Require Terminal Block (18PA1 for 200LS switches) which must be ordered separately. Unless damaged, it is not necessary to replace terminal block when replacing switch.