

A

## High-Capacity Basic Switch



# 2

# S W I T C H E S & K N O B S

### Features

- High-capacity switch capable of handling 20 A loads with large inrush currents
- Directly switches such loads as motors, halogen lamps, and solenoids
- Same shape as OMRON Basic Switch Model Z except pin plunger position, yet endures inrush currents as large as 75 A

### Ordering Information

Model number	Operating force g max.	Release force g min.	Pretravel mm (inch) max.	Overtravel mm (inch) min.	Movement differential* mm (inch) max.	Operating position mm (inch) nom.	Actuator length mm (inch) nom.	Style
A-20G-B7-K	625	285	1.3 (.051)	0.25 (.010)	0.2 (.008)	16.3 (.642)	—	
A-20GD-B7-K	625	285	1.3 (.051)	3.0 (.118)	0.2 (.008)	26.2 (1.031)	—	
A-20GQ-B7-K	625	285	1.3 (.051)	5.6 (.220)	0.2 (.008)	21.8 (.858)	—	
A-20GQ22-B7-K	630	280	1.3 (.051)	3.58 (.141)	0.35 (.014)	33.4 (1.315)	—	
A-20GL-B7-K	255	28	8.7 (.343)	1.6 (.063)	1.7 (.067)	17.5 (.689)	45.2 (1.780)	†
A-20GL2-B7-K	255	28	8.7 (.343)	1.6 (.063)	1.7 (.067)	28.6 (1.125)	41.7 (1.641)	†
A-20GV-B7-K	70	14	15.9 (.626)	4.0 (.157)	2.4 (.094)	19.0 (.748)	63.5 (2.500)	
A-20GV2-B7-K	90	14	12.0 (.472)	2.4 (.094)	2.2 (.087)	30.2 (1.189)	48.4 (1.906)	
A-20GV22-B7-K	160	42	6.5 (.256)	1.2 (.047)	1.2 (.047)	29.8 (1.173)	26.2 (1.031)	

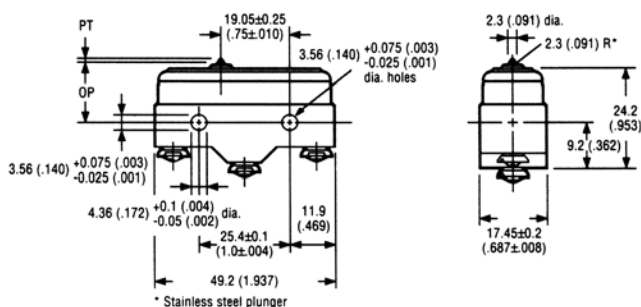
Note: 1. All models above are screw terminal versions. Other available terminal versions are listed below.  
2. † denotes opposite actuator direction.

### Construction Data

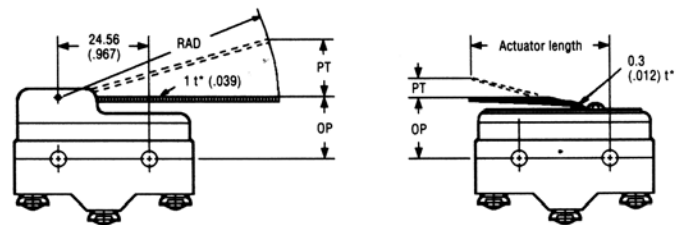
**Termination** Screw terminal, solder terminal, and quick connect terminal (#250)

**Packaging method** Box

### Dimensions [Unit: mm (inch)]



**Actuators:** Actuators are available in many special forms and lengths. OMRON offers standard type integral hinged lever and roller actuators. The length of the actuator is dimensioned from the centerline of the switch mounting hole as shown.



\* Stainless steel lever

† Opposite actuator direction  
\* Stainless steel spring lever