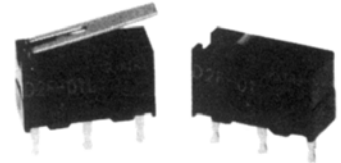


## D2F

## Subminiature Basic Switch

### Features

- Super compact: 6.5 mm (.256 in.) H x 12.8 mm (.504 in.) W x 5.8 mm (.228 in.) D, ideal for PCB mounting
- Long lifespan thanks to high-precision dual spring reverse-action mechanism
- Flux penetration prevented by using an insert terminal and allowing a height difference at the case bottom
- Ideal for a wide variety of applications, from household appliances and office equipment to audio equipment and communications equipment



### Ordering Information

Model number	Operating force g max.	Release force g min.	Pretravel mm (inch) max.	Overtravel mm (inch) min.	Movement differential mm (inch) max.	Operating position mm (inch) nom.	Actuator length mm (inch) nom.	Style
D2F-01	150	20	0.5 (.020)	0.25 (.010)	0.12 (.005)	5.5 (.217)	—	
D2F-01L	80	5	—	0.55 (.022)	0.5 (.020)	6.8 (.268)	5.2 (.205)	
D2F-01L2	80	5	—	0.55 (.022)	0.5 (.020)	13±2.0 (.512±.079)	5.2 (.205)	
D2F-01L3	80	5	—	0.5 (.020)	0.45 (.018)	8.5±1.2 (.335±.047)	5.2 (.205)	

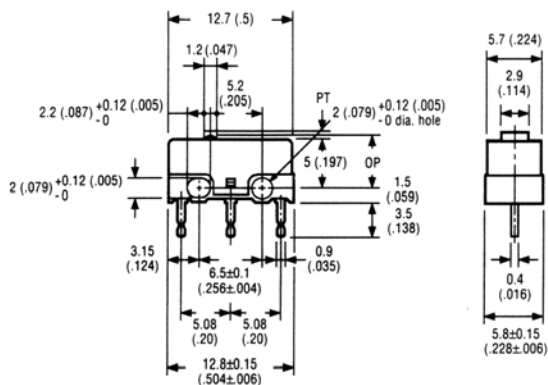
Note: 1. All models above are PCB terminal versions. Other available terminal versions are listed below

### Construction Data

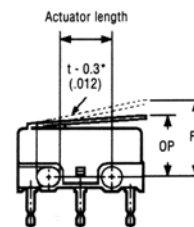
**Termination** PCB terminal, self-supporting terminal, solder terminal, and right-angle terminal

**Packaging method** Trays with box

### Dimensions [Unit: mm (inch)]



**Actuators:** Actuators are available in many special forms and lengths. OMRON offers standard type integral hinged lever and roller actuators. The length of the actuator is dimensioned from the centerline of the switch mounting hole as shown.



\* Stainless copper lever