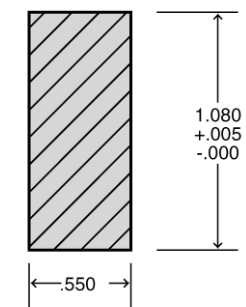
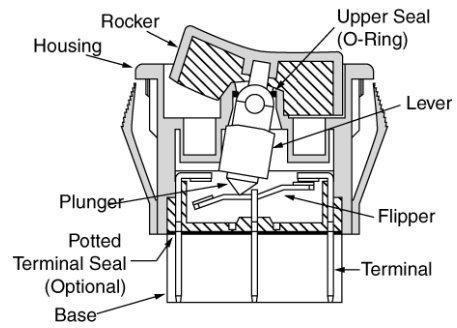
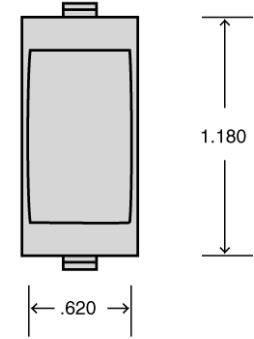
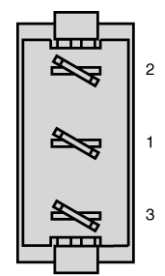
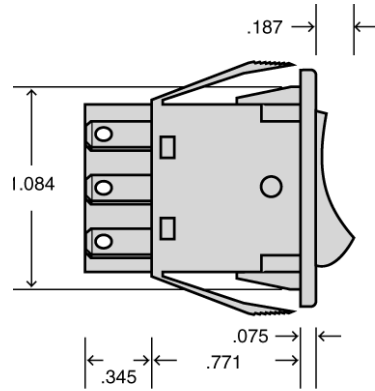
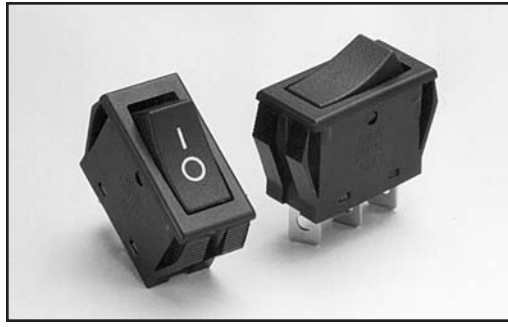
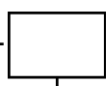




2 SWITCHES & KNOBS



Panel Cut Out
Panel Thickness 1/32" - 3/16"

		
<p>Actuator Color 7=White 9=Black 11=Green (non-stock) 12=Red</p>	<p>Housing Color M9=Matte Black (For other colors contact factory)</p>	<p>Accessories (Optional) T=Boot E=Epoxy Seal G=Panel Gasket</p>