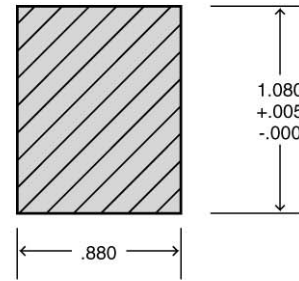
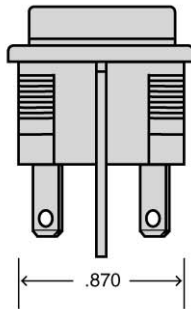
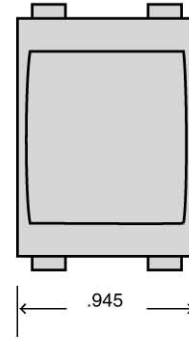
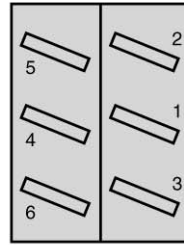
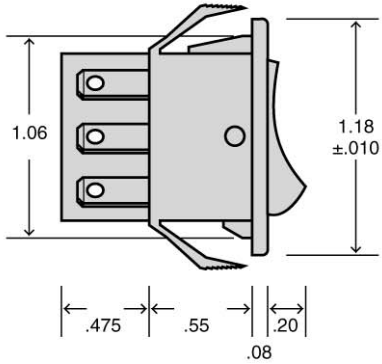
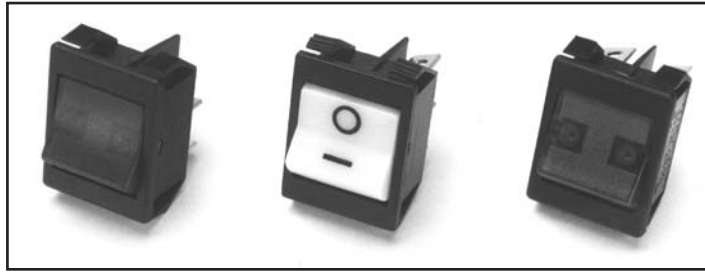


2

**S
W
I
T
C
H
E
S
&
K
N
O
B
S**



Panel Cut Out
Panel Thickness 1/32" - 3/16"

□	□	□	□
Lamp Voltage	Actuator Color	Housing Color	Accessories (Optional)
6V=6 Volt Incandescent 12V=12 Volt Incandescent 28V=28 Volt Incandescent 125V= 125 Volt Neon 250V=250 Volt Neon 125VG=125 Volt Green Neon 250VG=250 Volt Green Neon 6VR=6Volt Red LED 6VG=6 Volt Green LED 12VR=12 Volt Red LED 12VG=12 Volt Green LED	1=Red 2=Clear 3=Amber 4=Green*	M9=Matte Black (For other colors contact factory)	T=Boot B=Protective Barrier E=Epoxy Seal